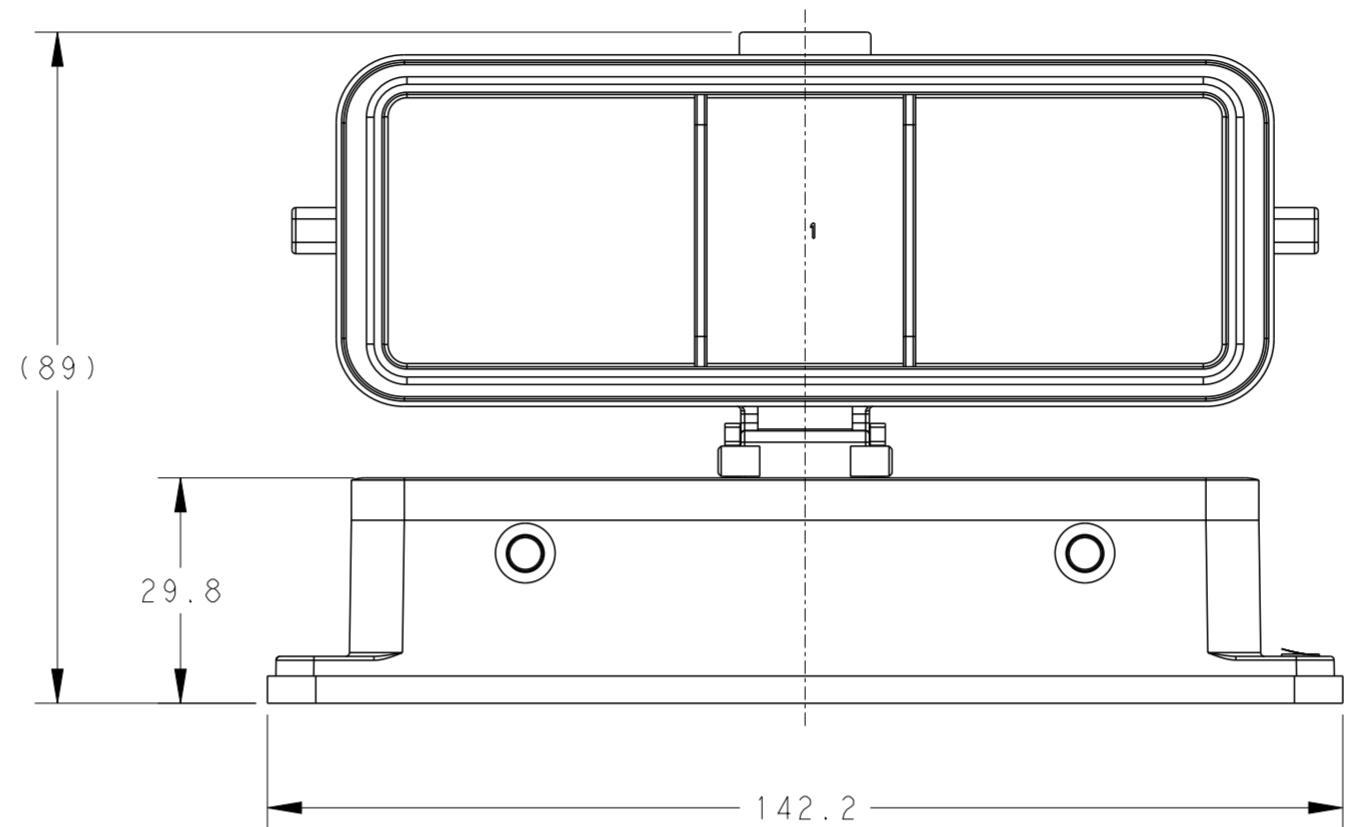
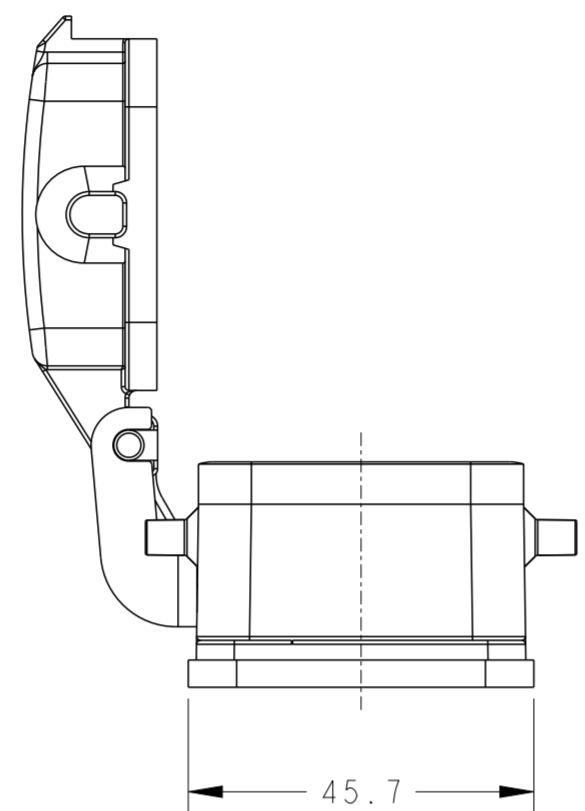
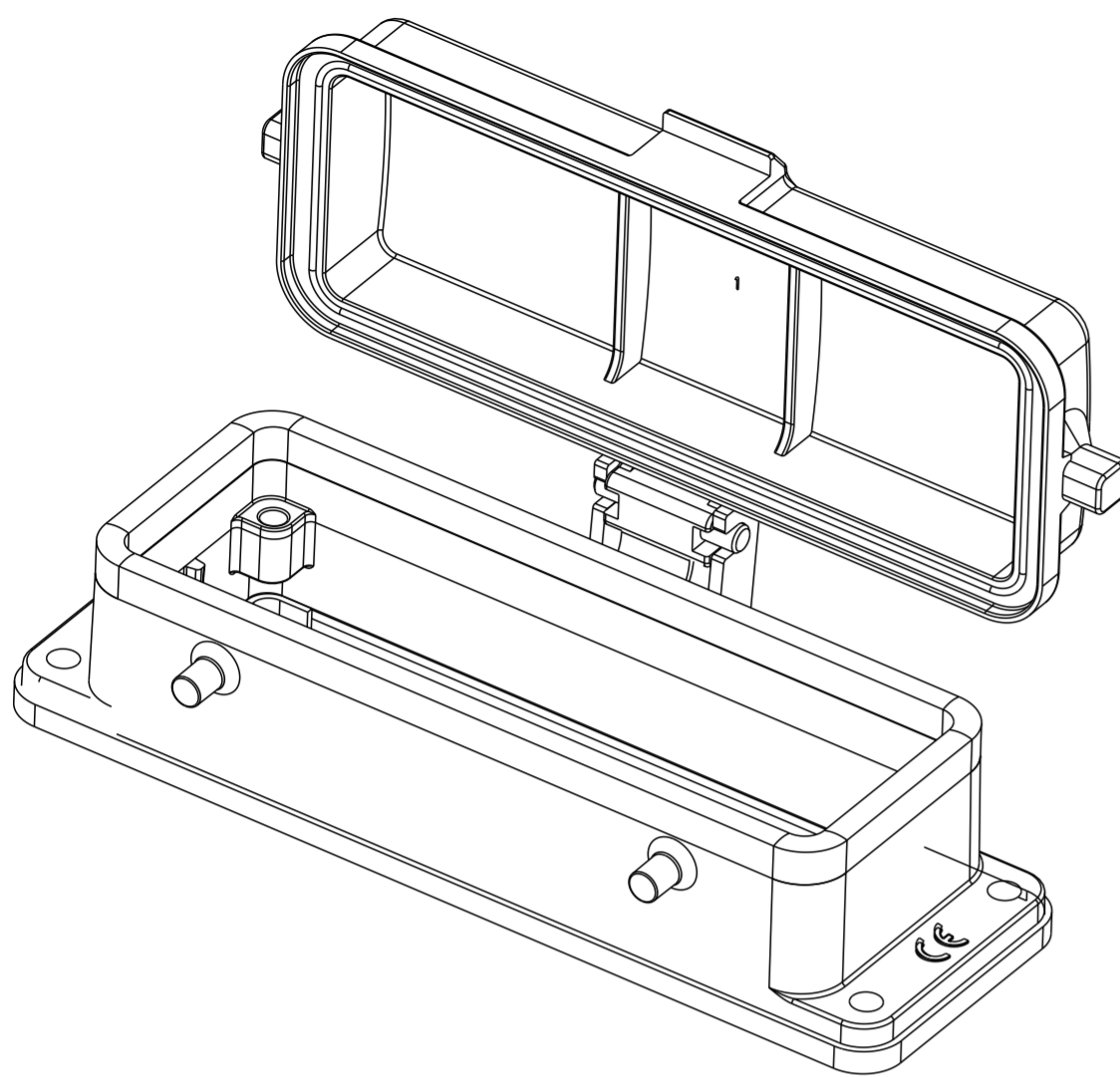


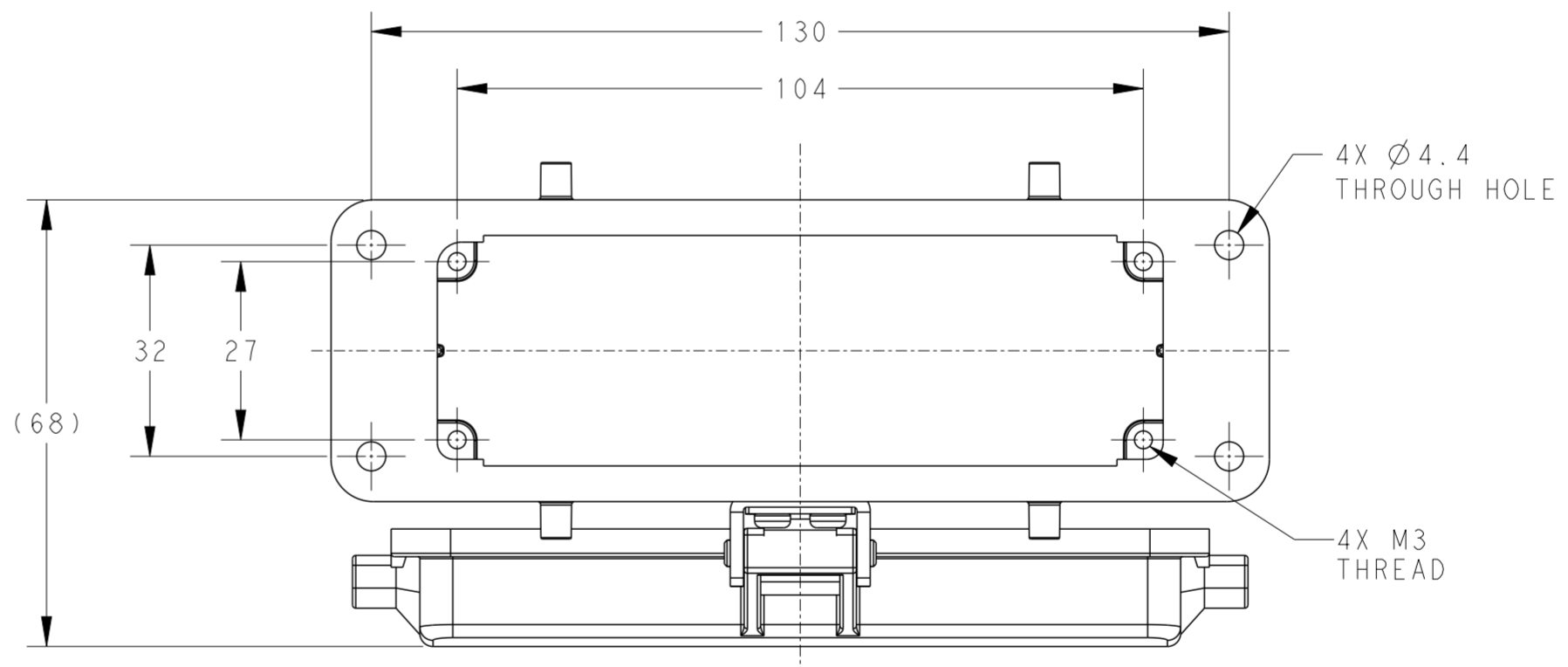
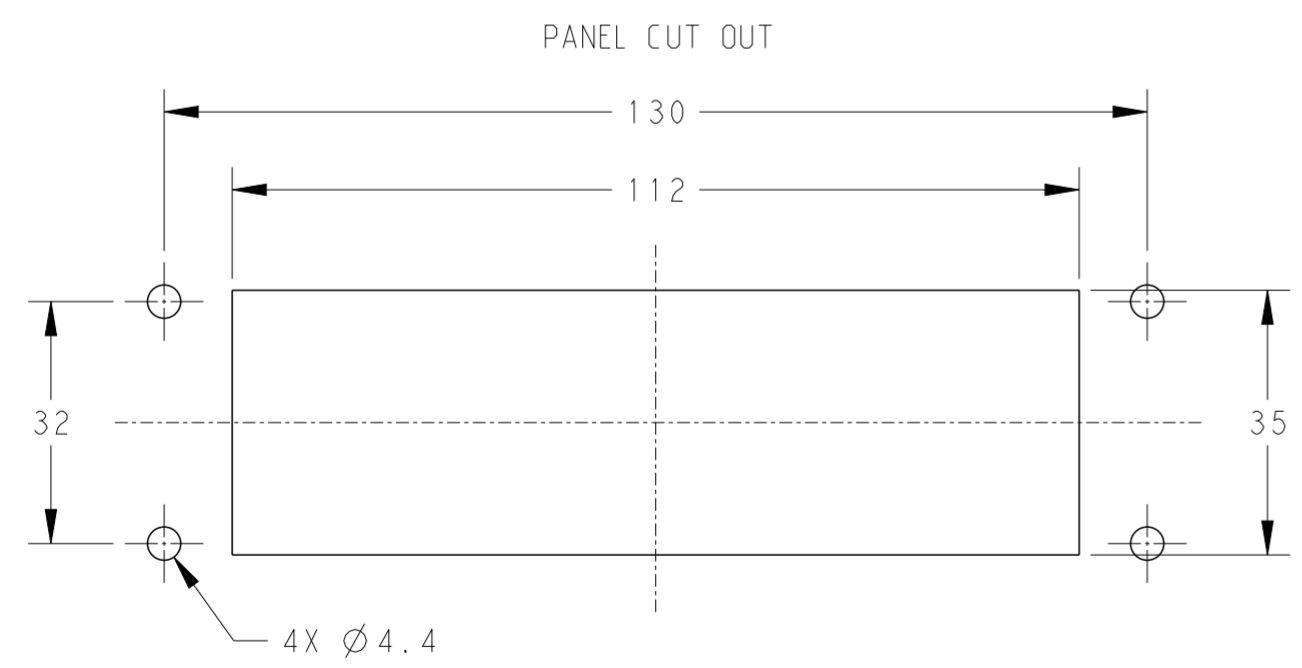
THIS DRAWING IS UNPUBLISHED. RELEASED FOR PUBLICATION 20  
 © COPYRIGHT 20 BY - ALL RIGHTS RESERVED.

REVISIONS				
P	LTR	DESCRIPTION	DATE	APVD
A		INITIAL	17NOV2014	DW CW
B		ECR-20-014876	03JUN2021	WOR CW
B1		ECR-23-175264	15MAY2023	AC CW
C		ECR-23-195696	09MAY2024	BS CW



NOTES:  
 1. TECHNICAL CHARACTERISTICS:  
 HOUSING MATERIAL:  
 DIE CAST ALUMINIUM ALLOY  
 SURFACE:  
 POWDER COATED, RAL7037  
 SEAL MATERIAL: NBR  
 DEGREE OF PROTECTION:  
 IP65 (MATED)

注释:  
 1. 技术参数:  
 外壳材料: 铝合金  
 表面处理: 粉末涂层, RAL7037  
 密封材料: NBR  
 防护等级: IP65(配合)



H24B-AD-B0	T1430240000-000
DESCRIPTION	PART NUMBER

THIS DRAWING IS A CONTROLLED DOCUMENT.		DWN 17NOV2014 David Wang	<b>STE</b> TE Connectivity	
DIMENSIONS: mm		CHK 17NOV2014 Chris Wang		
TOLERANCES UNLESS OTHERWISE SPECIFIED:		APVD 17NOV2014 Xiang Xu	NAME H24B-AD-B0	
0 PLC	±	PRODUCT SPEC	SIZE	
1 PLC	±	108-137013	CAGE CODE	
2 PLC	±	APPLICATION SPEC	DRAWING NO	
3 PLC	±	114-137013	RESTRICTED TO	
4 PLC	±	WEIGHT	SCALE	
ANGLES	±	-	SHEET	
FINISH	-	Customer Drawing	OF	
	-		REV	
	-		C	