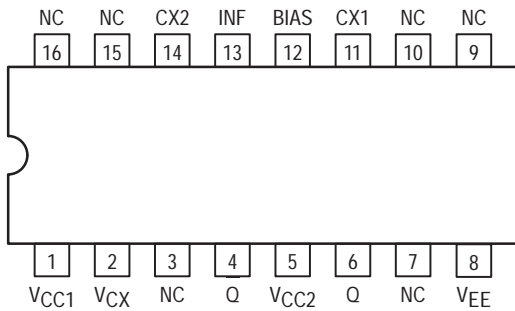


# Voltage Controlled Multivibrator

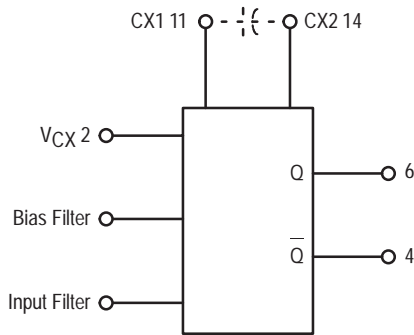
The MC1658 is a voltage-controlled multivibrator which provides appropriate level shifting to produce an output compatible with MECL III and MECL 10,000 logic levels. Frequency control is accomplished through the use of voltage-variable current sources which control the slew rate of a single external capacitor.

The bias filter may be used to help eliminate ripple on the output voltage levels at high frequencies and the input filter may be used to decouple noise from the analog input signal.

**Pinout: 16-Lead Package (Top View)**



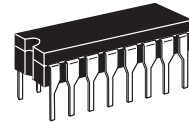
**LOGIC DIAGRAM**



$V_{CC1}$  = Pin 1  
 $V_{CC2}$  = Pin 5  
 $V_{EE}$  = Pin 8

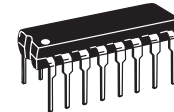
## MC1658

### VOLTAGE CONTROLLED MULTIVIBRATOR

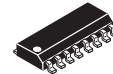


**L SUFFIX**  
16-LEAD CERAMIC PACKAGE  
CASE 620-10

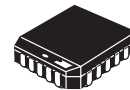
*Not Recommended for New Designs*



**P SUFFIX**  
16-LEAD PLASTIC PACKAGE  
CASE 648-08



**D SUFFIX**  
PLASTIC SOIC PACKAGE  
CASE 751B-05



**FN SUFFIX**  
20-LEAD PLCC PACKAGE  
CASE 775-02

LIFETIME BUY

LAST SHIP 31/07/00  
LAST ORDER 31/07/99

**Pin Conversion Table**

16 PIN DIP	1	2	3	4	5	6	7	8	9	10	11	12	13	14	15	16
20 PIN PLCC	2	3	4	5	7	8	9	10	12	13	14	15	17	18	19	20

LIFETIME BUY

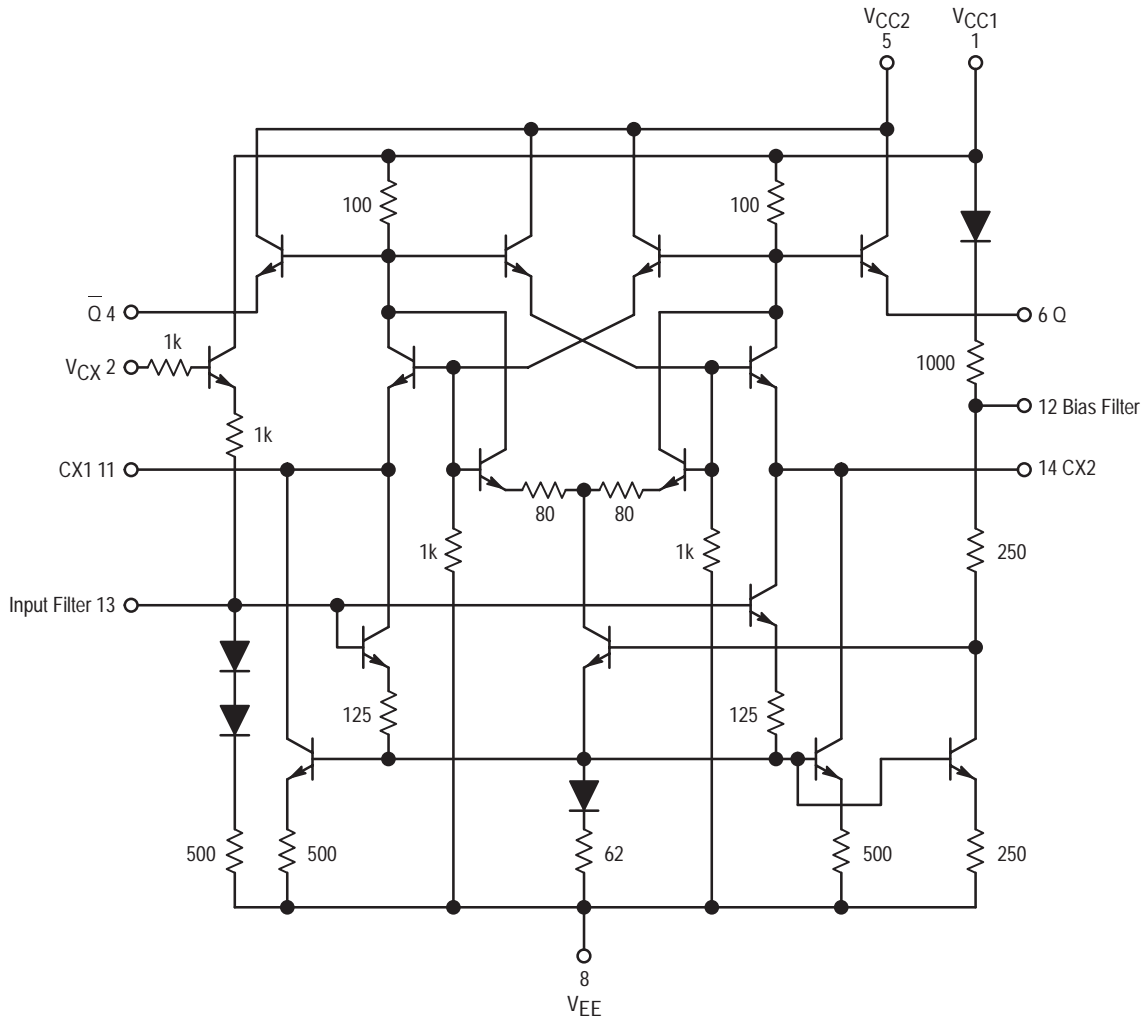


Figure 1. Circuit Schematic

TEST VOLTAGE VALUES

@ Test Temperature	Vdc ±1%			
	V <sub>IH</sub>	V <sub>IL</sub>	V <sub>3</sub>	I <sub>IHA</sub>
-30°C	0	-2.0	-1.0	+2.0
+25°C	0	-2.0	-1.0	+2.0
+85°C	0	-2.0	-1.0	+2.0

Note: SOIC "D" package guaranteed -30°C to +70°C only

LAST ORDER 31/07/99 LAST SHIP 31/07/00

**ELECTRICAL CHARACTERISTICS** ( $V_{EE} = -5.2V$ ,  $V_{CC} = 0V$  [GND] )

Symbol	Characteristic	-30°C		+25°C		+85°C		Unit	Condition
		Min	Max	Min	Max	Min	Max		
$I_E$	Power Supply Drain Current	-	-	-	32	-	-	mAdc	$V_{IH}$ to $V_{CX}$ Limit Applies for 1 or 2
$I_{inH}$	Input Current	-	-	-	350	-	-	$\mu$ Adc	$V_{IH}$ to $V_{CX}$ <sup>1</sup>
$V_{OH}$	Output Voltage "Q" HIGH	-1.045	-0.875	-0.96	-0.81	-0.89	-0.7	Vdc	$V_3$ to $V_{CX}$ . Limits Apply for 1 or 2
$V_{OL}$	Output Voltage "Q" LOW	-1.89	-1.65	-1.85	-1.62	-1.83	-1.575	Vdc	

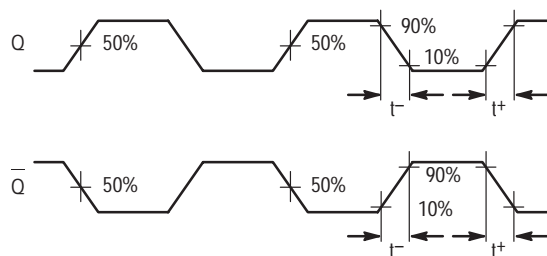
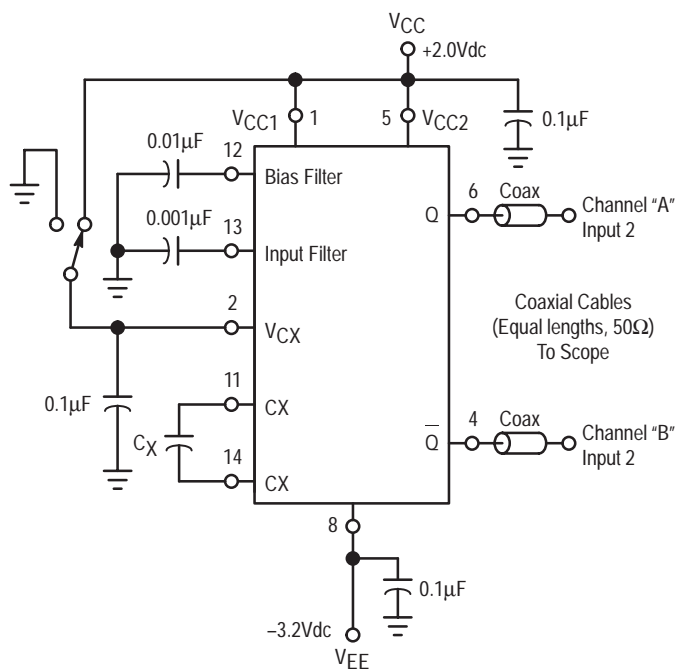
**AC CHARACTERISTICS** ( $V_{EE} = -3.2V$ ,  $V_{CC} = +2.0V$  )

Symbol	Characteristic	-30°C		+25°C			+85°C		Unit	Condition (See Figure 2)
		Min	Max	Min	Typ	Max	Min	Max		
$t^+$	Rise Time (10% to 90%)	-	2.7	-	1.6	2.7	-	3.0	ns	$V_{IH}$ to $V_{CX}$ , CX1 <sup>4</sup> from Pin 11 to Pin 14
$t^-$	Fall Time (10% to 90%)	-	2.7	-	1.4	2.7	-	3.0	ns	
$f_{osc1}$	Oscillator Frequency	130	-	130	155	175	110	-	MHz	$V_{IH}$ to $V_{CX}$ , CX2 <sup>5</sup> from Pin 11 to Pin 14
$f_{osc2}$		-	-	78	100	120	-	-		
TR <sup>3</sup>	Tuning Ratio Test	-	-	3.1	4.5	-	-	-	-	CX2 <sup>5</sup> from Pin 11 to Pin 14

- 1 Germanium diode (0.4 drop) forward biased from 11 to 14 (11 → 14).
- 2 Germanium diode (0.4 drop) forward biased from 14 to 11 (11 ← 14).

3  $TR = \frac{\text{Output frequency at } V_{CX} = \text{GND}}{\text{Output frequency at } V_{CX} = -2.0V}$

- 4 CX1 = 5.0pF connected from pin 11 to pin 14.
- 5 CX2 = 10pF connected from pin 11 to pin 14.



50 ohm termination to ground located in each scope channel input. All input and output cables to the scope are equal lengths of 50 ohm coaxial cable. Wire length should be < 1/4 inch from TP<sub>in</sub> to input pin and TP<sub>out</sub> to output pin. Note: All power supply and logic levels are shown shifted 2.0V positive.

Figure 2. AC Test Circuit and Waveforms

LIFETIME BUY

LAST SHIP 31/07/00

LAST ORDER 31/07/99

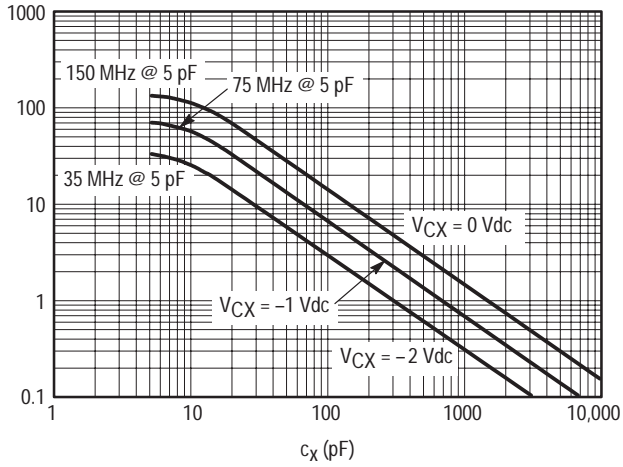


Figure 3. Output Frequency versus Capacitance for Various Values of Input Voltage

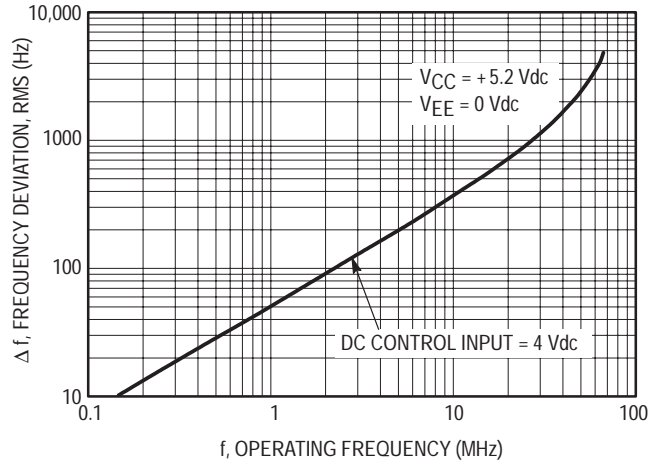


Figure 4. RMS Noise Deviation versus Operating Frequency

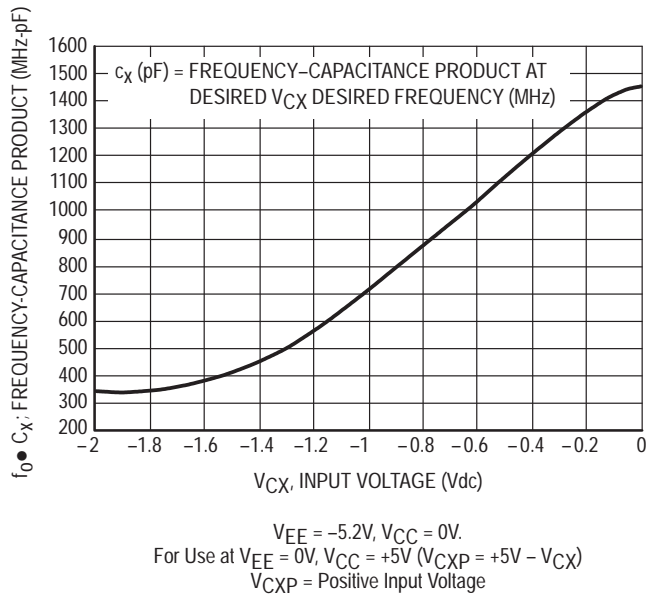


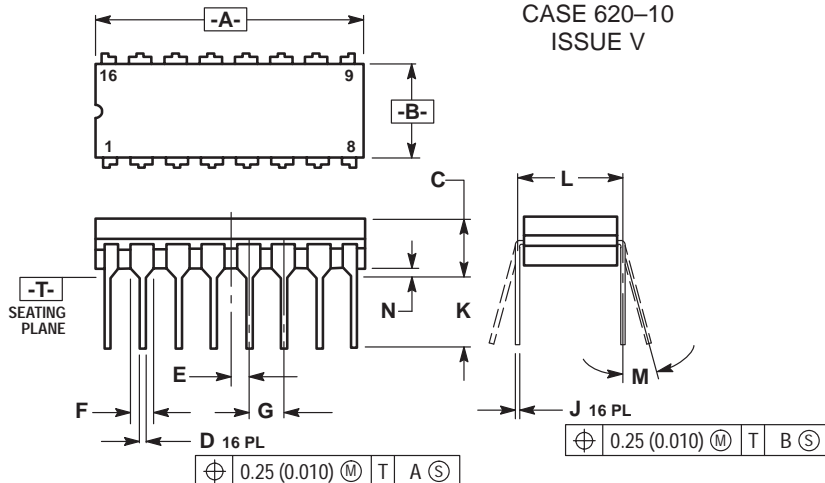
Figure 5. Frequency Capacitance Product versus Control Voltage ( $V_{CX}$ )

LIFETIME BUY

LAST SHIP 31/07/00  
LAST ORDER 31/07/99

OUTLINE DIMENSIONS

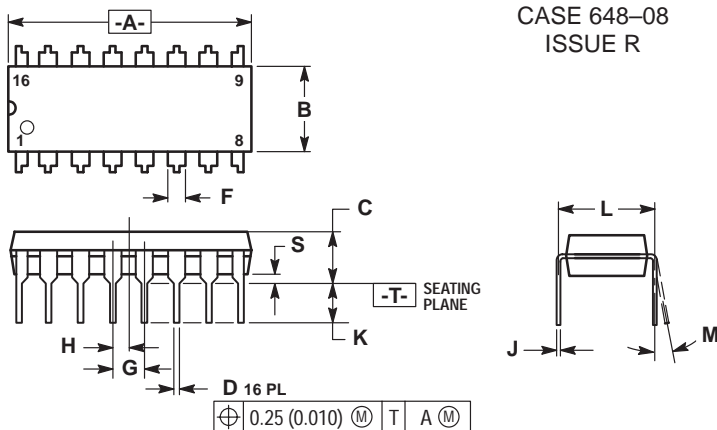
**L SUFFIX**  
**CERAMIC PACKAGE**  
 CASE 620-10  
 ISSUE V



- NOTES:
1. DIMENSIONING AND TOLERANCING PER ANSI Y14.5M, 1982.
  2. CONTROLLING DIMENSION: INCH.
  3. DIMENSION L TO CENTER OF LEAD WHEN FORMED PARALLEL.
  4. DIMENSION F MAY NARROW TO 0.76 (0.030) WHERE THE LEAD ENTERS THE CERAMIC BODY.

DIM	INCHES		MILLIMETERS	
	MIN	MAX	MIN	MAX
A	0.750	0.785	19.05	19.93
B	0.240	0.295	6.10	7.49
C	—	0.200	—	5.08
D	0.015	0.020	0.39	0.50
E	0.050 BSC		1.27 BSC	
F	0.085	0.065	1.40	1.65
G	0.100 BSC		2.54 BSC	
J	0.008	0.015	0.21	0.38
K	0.125	0.170	3.18	4.31
L	0.300 BSC		7.62 BSC	
M	0°	15°	0°	15°
N	0.020	0.040	0.51	1.01

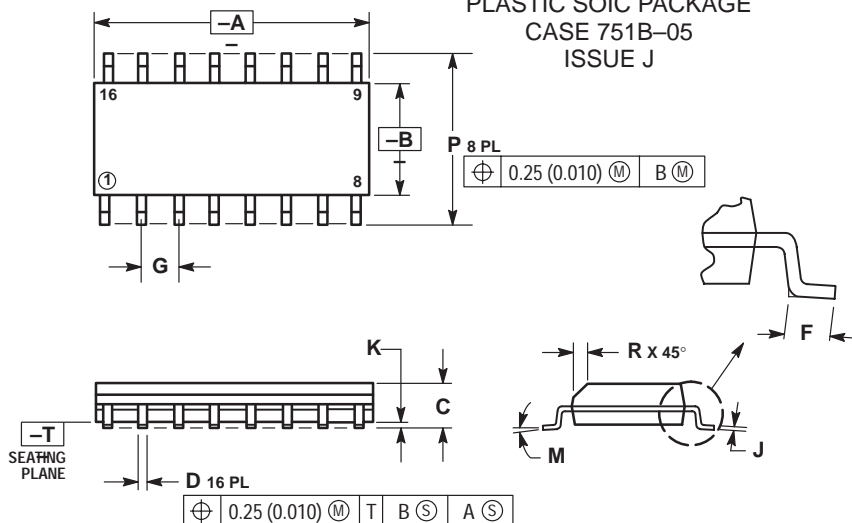
**P SUFFIX**  
**PLASTIC PACKAGE**  
 CASE 648-08  
 ISSUE R



- NOTES:
1. DIMENSIONING AND TOLERANCING PER ANSI Y14.5M, 1982.
  2. CONTROLLING DIMENSION: INCH.
  3. DIMENSION L TO CENTER OF LEADS WHEN FORMED PARALLEL.
  4. DIMENSION B DOES NOT INCLUDE MOLD FLASH.
  5. ROUNDED CORNERS OPTIONAL.

DIM	INCHES		MILLIMETERS	
	MIN	MAX	MIN	MAX
A	0.740	0.770	18.80	19.55
B	0.250	0.270	6.35	6.85
C	0.145	0.175	3.69	4.44
D	0.015	0.021	0.39	0.53
F	0.040	0.070	1.02	1.77
G	0.100 BSC		2.54 BSC	
H	0.050 BSC		1.27 BSC	
J	0.008	0.015	0.21	0.38
K	0.110	0.130	2.80	3.30
L	0.295	0.305	7.50	7.74
M	0°	10°	0°	10°
S	0.020	0.040	0.51	1.01

**D SUFFIX**  
**PLASTIC SOIC PACKAGE**  
 CASE 751B-05  
 ISSUE J



- NOTES:
1. DIMENSIONING AND TOLERANCING PER ANSI Y14.5M, 1982.
  2. CONTROLLING DIMENSION: MILLIMETER.
  3. DIMENSIONS A AND B DO NOT INCLUDE MOLD PROTRUSION.
  4. MAXIMUM MOLD PROTRUSION 0.15 (0.006) PER SIDE.
  5. DIMENSION D DOES NOT INCLUDE DAMBAR PROTRUSION. ALLOWABLE DAMBAR PROTRUSION SHALL BE 0.127 (0.005) TOTAL IN EXCESS OF THE D DIMENSION AT MAXIMUM MATERIAL CONDITION.

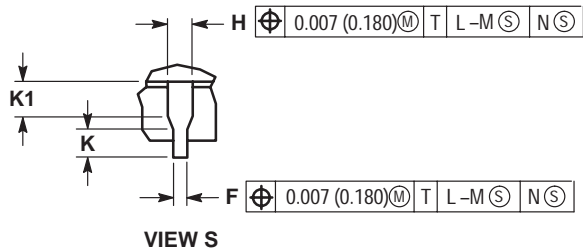
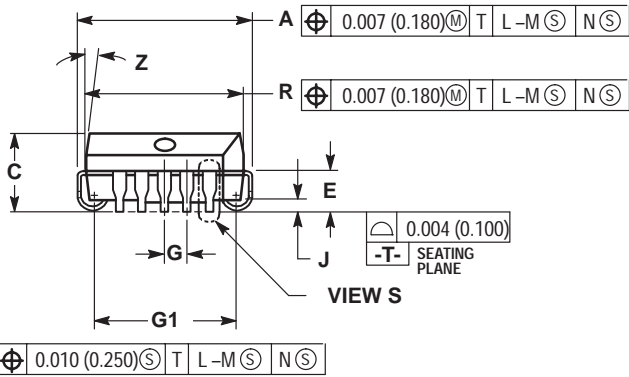
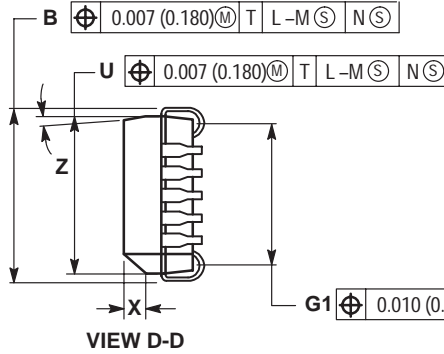
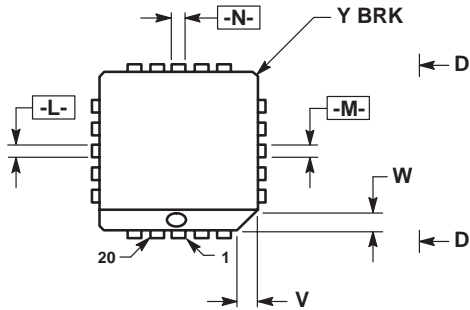
DIM	MILLIMETERS		INCHES	
	MIN	MAX	MIN	MAX
A	9.80	10.00	0.386	0.393
B	3.80	4.00	0.150	0.157
C	1.35	1.75	0.054	0.068
D	0.35	0.49	0.014	0.019
F	0.40	1.25	0.016	0.049
G	1.27 BSC		0.050 BSC	
J	0.19	0.25	0.008	0.009
K	0.10	0.25	0.004	0.009
M	0°	7°	0°	7°
P	5.80	6.20	0.229	0.244
R	0.25	0.50	0.010	0.019

LIFETIME BUY

LAST SHIP 31/07/00  
 LAST ORDER 31/07/99

OUTLINE DIMENSIONS

FN SUFFIX  
 PLASTIC PLCC PACKAGE  
 CASE 775-02  
 ISSUE C



NOTES:

- DATUMS -L-, -M-, AND -N- DETERMINED WHERE TOP OF LEAD SHOULDER EXITS PLASTIC BODY AT MOLD PARTING LINE.
- DIM G1, TRUE POSITION TO BE MEASURED AT DATUM -T-, SEATING PLANE.
- DIM R AND U DO NOT INCLUDE MOLD FLASH. ALLOWABLE MOLD FLASH IS 0.010 (0.250) PER SIDE.
- DIMENSIONING AND TOLERANCING PER ANSI Y14.5M, 1982.
- CONTROLLING DIMENSION: INCH.
- THE PACKAGE TOP MAY BE SMALLER THAN THE PACKAGE BOTTOM BY UP TO 0.012 (0.300). DIMENSIONS R AND U ARE DETERMINED AT THE OUTERMOST EXTREMES OF THE PLASTIC BODY EXCLUSIVE OF MOLD FLASH, TIE BAR BURRS, GATE BURRS AND INTERLEAD FLASH, BUT INCLUDING ANY MISMATCH BETWEEN THE TOP AND BOTTOM OF THE PLASTIC BODY.
- DIMENSION H DOES NOT INCLUDE DAMBAR PROTRUSION OR INTRUSION. THE DAMBAR PROTRUSION(S) SHALL NOT CAUSE THE H DIMENSION TO BE GREATER THAN 0.037 (0.940). THE DAMBAR INTRUSION(S) SHALL NOT CAUSE THE H DIMENSION TO BE SMALLER THAN 0.025 (0.635).

DIM	INCHES		MILLIMETERS	
	MIN	MAX	MIN	MAX
A	0.385	0.395	9.78	10.03
B	0.385	0.395	9.78	10.03
C	0.165	0.180	4.20	4.57
E	0.090	0.110	2.29	2.79
F	0.013	0.019	0.33	0.48
G	0.050 BSC		1.27 BSC	
H	0.026	0.032	0.66	0.81
J	0.020	—	0.51	—
K	0.025	—	0.64	—
R	0.350	0.356	8.89	9.04
U	0.350	0.356	8.89	9.04
V	0.042	0.048	1.07	1.21
W	0.042	0.048	1.07	1.21
X	0.042	0.056	1.07	1.42
Y	—	0.020	—	0.50
Z	2°	10°	2°	10°
G1	0.310	0.330	7.88	8.38
K1	0.040	—	1.02	—


LIFETIME BUY

LAST SHIP 31/07/00  
 LAST ORDER 31/07/99

LIFETIME BUY

LAST SHIP 31/07/00  
LAST ORDER 31/07/99

Mfax is a trademark of Motorola, Inc.

Motorola reserves the right to make changes without further notice to any products herein. Motorola makes no warranty, representation or guarantee regarding the suitability of its products for any particular purpose, nor does Motorola assume any liability arising out of the application or use of any product or circuit, and specifically disclaims any and all liability, including without limitation consequential or incidental damages. "Typical" parameters which may be provided in Motorola data sheets and/or specifications can and do vary in different applications and actual performance may vary over time. All operating parameters, including "Typicals" must be validated for each customer application by customer's technical experts. Motorola does not convey any license under its patent rights nor the rights of others. Motorola products are not designed, intended, or authorized for use as components in systems intended for surgical implant into the body, or other applications intended to support or sustain life, or for any other application in which the failure of the Motorola product could create a situation where personal injury or death may occur. Should Buyer purchase or use Motorola products for any such unintended or unauthorized application, Buyer shall indemnify and hold Motorola and its officers, employees, subsidiaries, affiliates, and distributors harmless against all claims, costs, damages, and expenses, and reasonable attorney fees arising out of, directly or indirectly, any claim of personal injury or death associated with such unintended or unauthorized use, even if such claim alleges that Motorola was negligent regarding the design or manufacture of the part. Motorola and  are registered trademarks of Motorola, Inc. Motorola, Inc. is an Equal Opportunity/Affirmative Action Employer.

#### How to reach us:

**USA/EUROPE/Locations Not Listed:** Motorola Literature Distribution; P.O. Box 5405, Denver, Colorado 80217.  
1-303-675-2140 or 1-800-441-2447

**JAPAN:** Motorola Japan Ltd.; SPS, Technical Information Center, 3-20-1, Minami-Azabu. Minato-ku, Tokyo 106-8573 Japan.  
81-3-3440-3569

**ASIA/PACIFIC:** Motorola Semiconductors H.K. Ltd.; Silicon Harbour Centre, 2 Dai King Street, Tai Po Industrial Estate, Tai Po, N.T., Hong Kong. 852-26668334

#### Customer Focus Center: 1-800-521-6274

**Mfax™:** RMFAX0@email.sps.mot.com – TOUCHTONE 1-602-244-6609  
Motorola Fax Back System – US & Canada ONLY 1-800-774-1848  
– <http://sps.motorola.com/mfax/>

**HOME PAGE:** <http://motorola.com/sps/>

