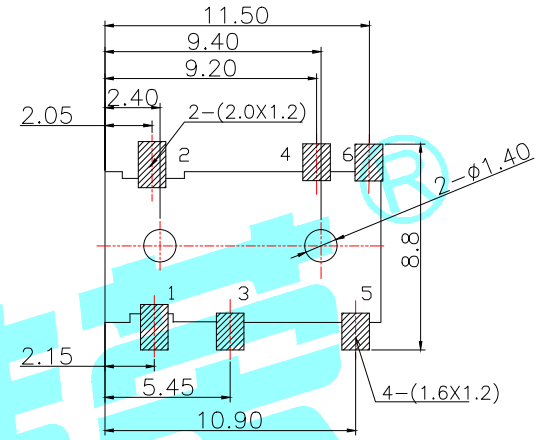
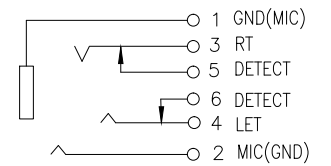
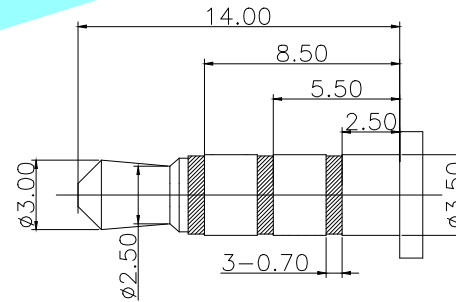
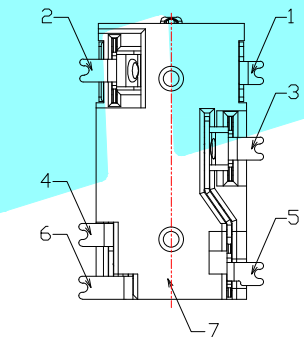
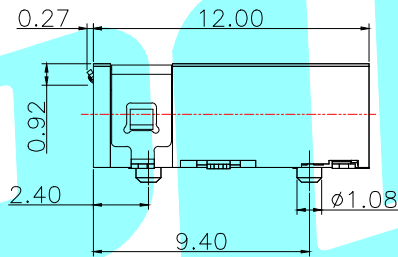
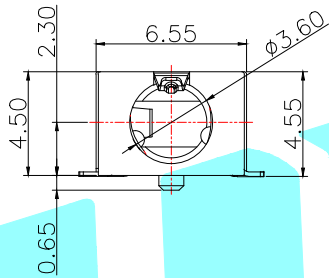


3D VIEW



P.C.B LAYOUT
TOP VIEW



CIRCUIT DIAGRAM

Rating: 1A 30V DC
 Contact Resistance: 50 mΩ Max.
 Operating temperature: -25°C ~ 80°C
 Operating force: 3-20N
 Operating Life: 5,000 cycles

②	Shunt terminal	—	6	Phosphor bronze/Brass	Plating Au	—
①	Housing	—	1	PPA	Black	—
ITEM	PART NAME	Serial number	QTY.	MATERIAL	FINISHING	REMARK

APPROVALS		DATE		 ELECTRONICS CO.,LTD		
DRAWN	LIUCAN	2021/5/17				
CHECKED				PART NO.	PJ-332C-6A	
APPROVALS				TOLERANCES ARE	30~以上 ±0.30 10~30 ±0.20 5~10 ±0.15 ~ 5 ±0.10	ANGLE UNIT: mm SCALE: 1:1 PROJ:
ECN NO.	REV.	DATE.	DESCRIPTION.	CHANGE.	CHECK.	APPRO.

ECN NO.	REV.	DATE.	DESCRIPTION.	CHANGE.	CHECK.	APPRO.
	A		NEW			