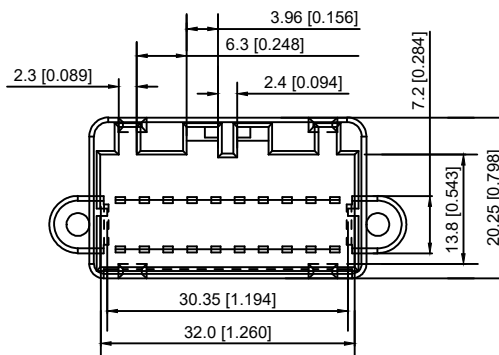
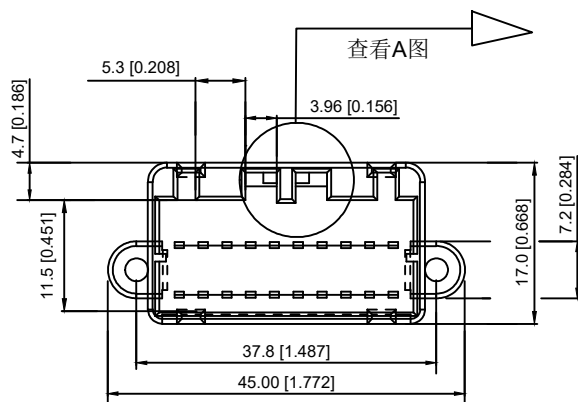


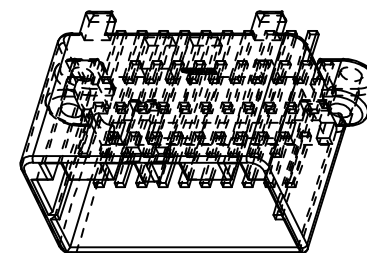
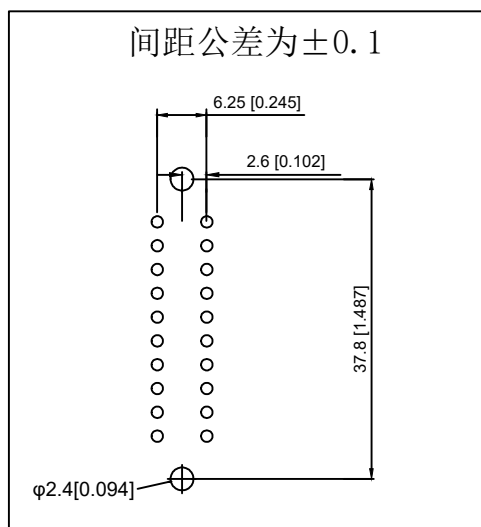
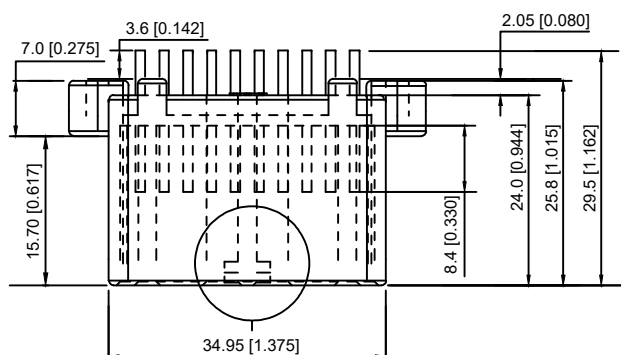
A图细节

Current rating:3A AC/DC
 额定电流: 3A AC/DC
 Temperature range:-40°C~+125°C
 温度范围: -40°C~+125°C



K 175977 W V - 2xXX - PT SN
 ① ② ③ ④ ⑤ ⑥ ⑦

- 1.K: XKBTEK-Car Connector
- 2.XKB Series No
- 3.Category:W-Wafer
- 4.Welding Board Range:V-Stright 180°
- 5.Row No.Pin No:2xXX-2x10 Pin
- 6.Material:PT-PBT
- 7.Palting:SN-Plated Tin



查看A图

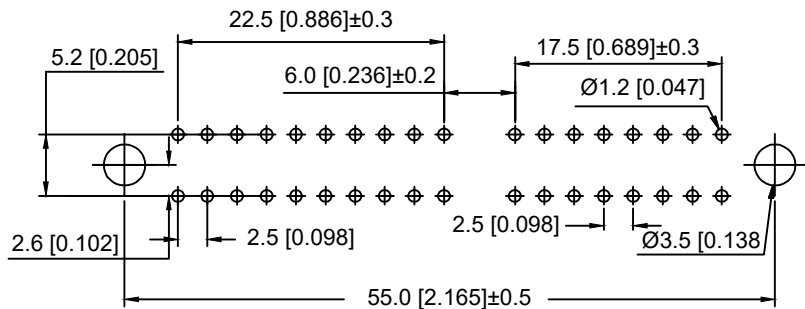
K175977WV-2xXX-PTSN	PBT	Brass	K175977H
PART NO	Material	Material(Pin)	Suitable XKB Housing

DSND	SCALE: N/A	MODEL TYPE:
DWN	VIEW:	2.5mm Automobile connector
CHKD	UNIT: mm/in	PART NO.:
APPD	SIZE: A4	K175977WV-2xXX-PTSN
		DWG NO.:
		X-K175977WV-2xXX-PTSN
		WEIGHT
		SHEET
		REVISION
		1/1
		A0

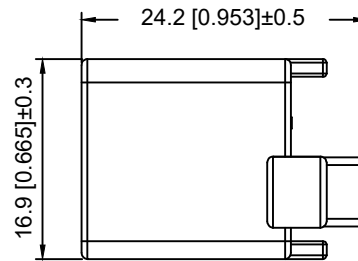
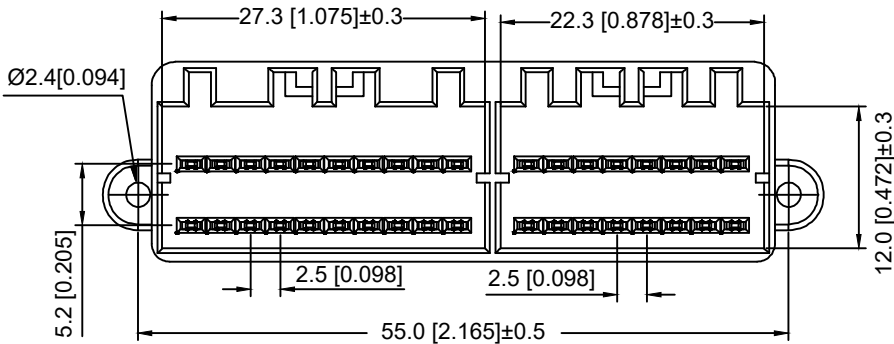
					ANGULAR	±5°
ΔX					L ≤ 4	±0.2
ΔX					4 < L ≤ 16	±0.3
ΔX					16 < L ≤ 63	±0.4
MARK					L > 63	±0.5
					UNSPECIFIED TOLERANCES	



XKB INDUSTRIAL PRECISION CO., LIMITED

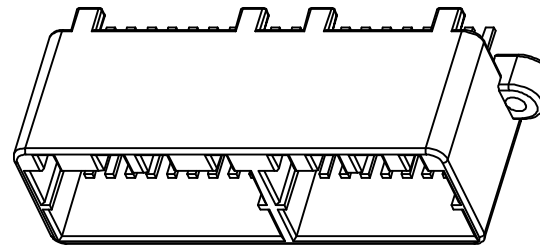
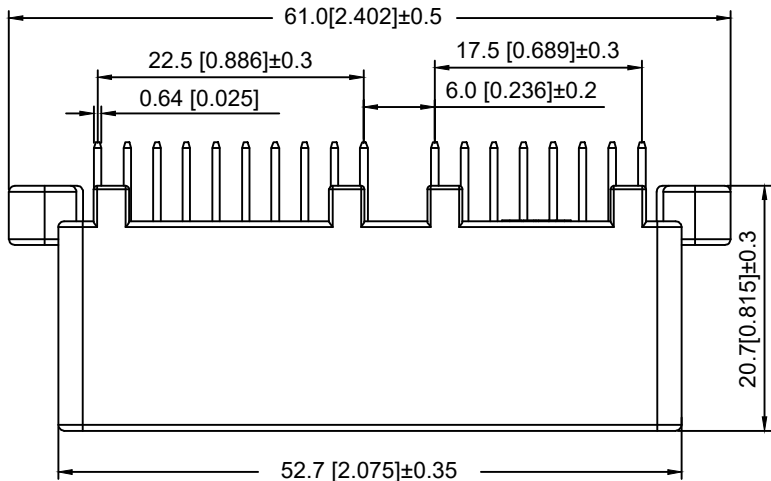


Current rating:3A AC/DC
 额定电流: 3A AC/DC
 Temperature range:-40°C~+125°C
 温度范围: -40°C~+125°C



K 175977 W V - 2xXX - PT SN
 ① ② ③ ④ ⑤ ⑥ ⑦

- 1.K: XKBTEK-Car Connector
- 2.XKB Series No
- 3.Category:W-Wafer
- 4.Welding Board Range:V-Stright 180°
- 5.Row No.Pin No:2xXX-2x18 Pin
- 6.Material:PT-PBT
- 7.Palting:SN-Plated Tin



K175977WV-2xXX-PTSN	PBT	Brass	K175977H-2x10 P K175977H-2x08 P
PART NO	Material	Material(Pin)	Suitable XKB Housing

DSND	SCALE: N/A	MODEL TYPE:
DWN	VIEW:	2.5mm Automobile connector
CHKD	UNIT: mm/in	PART NO.:
APPD	SIZE: A4	K175977WV-2xXX-PTSN
		DWG NO.:
		X-K175977WV-2xXX-PTSN
WEIGHT	SHEET	REVISION
	1/1	A0

					ANGLAR	±5°
Δx					L ≤ 4	±0.2
Δx					4 < L ≤ 16	±0.3
Δx					16 < L ≤ 63	±0.4
MARK					L > 63	±0.5
REVISIONS					UNSPECIFIED TOLERANCES	



XKB INDUSTRIAL PRECISION CO., LIMITED