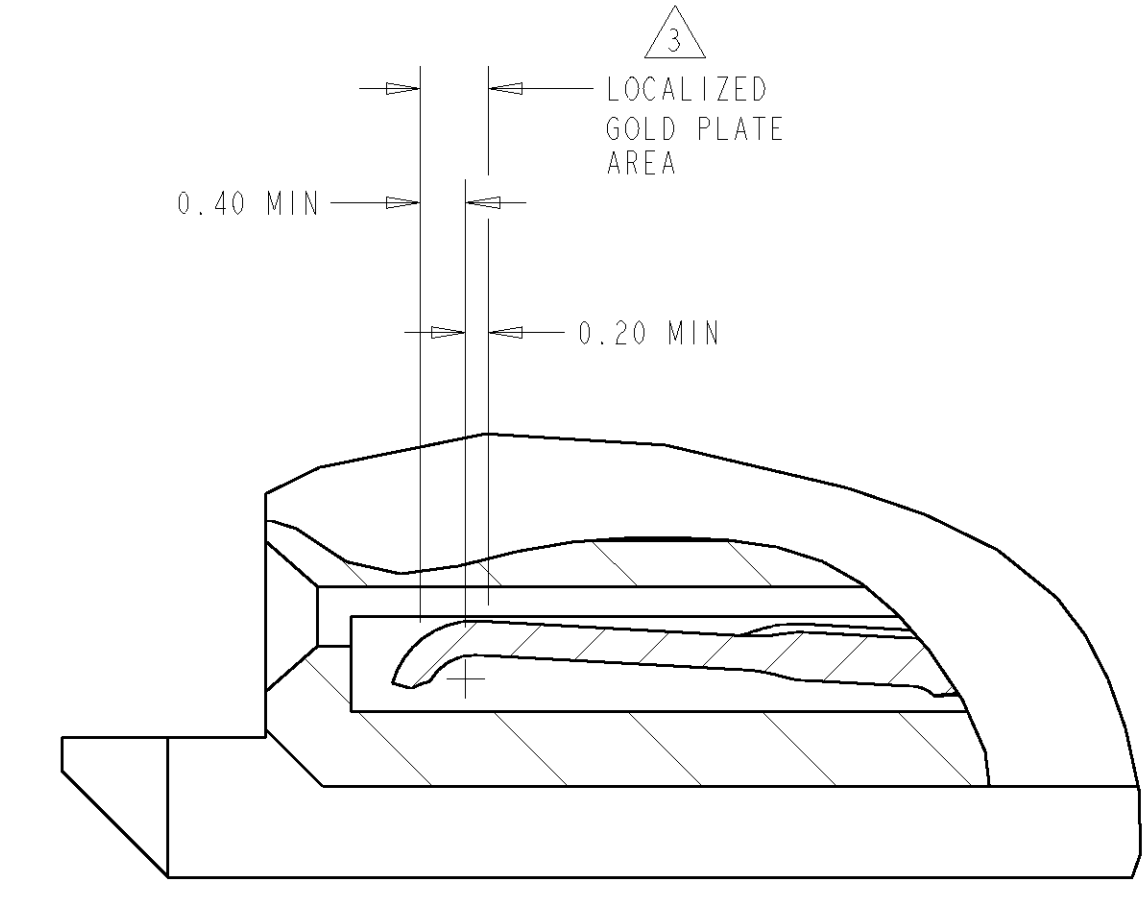
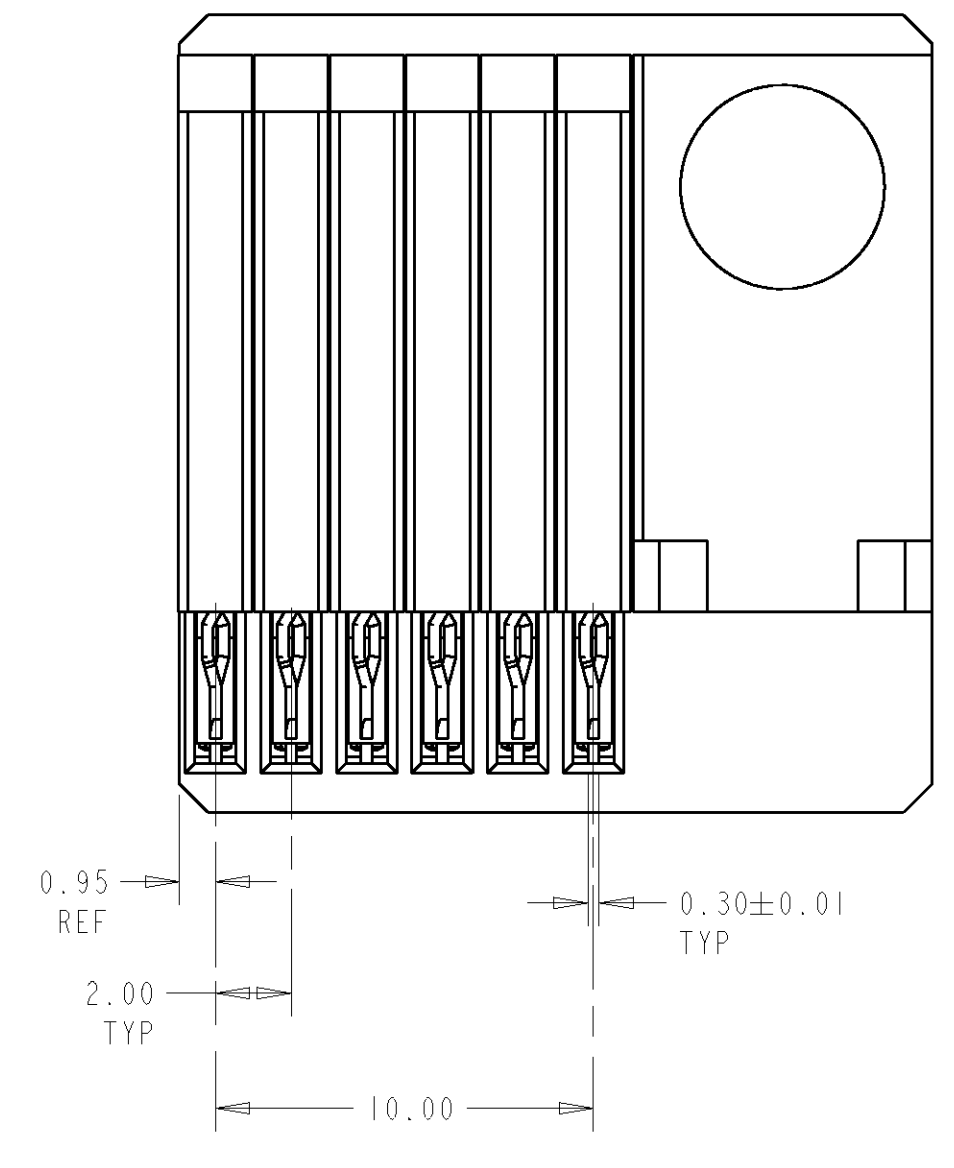
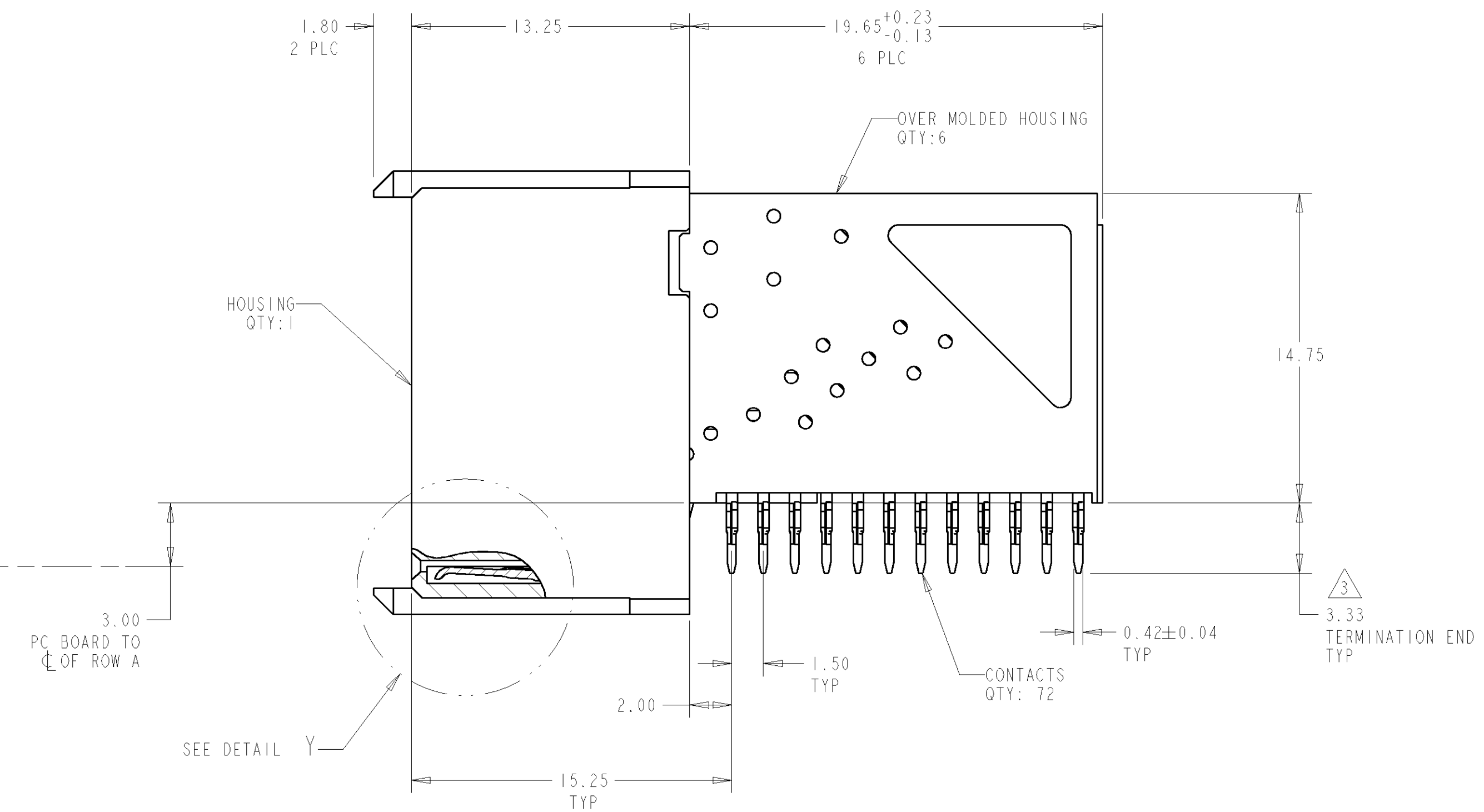
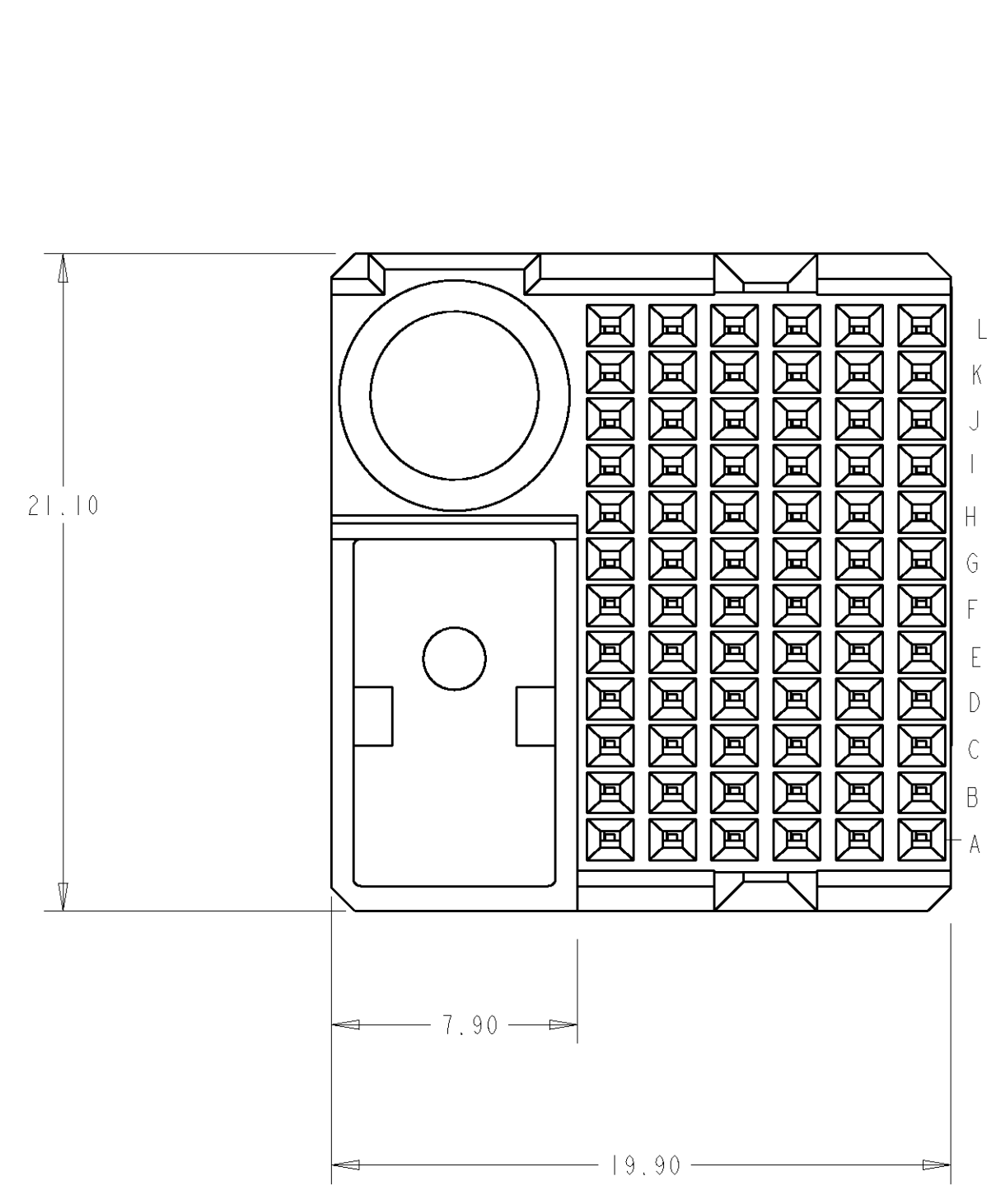
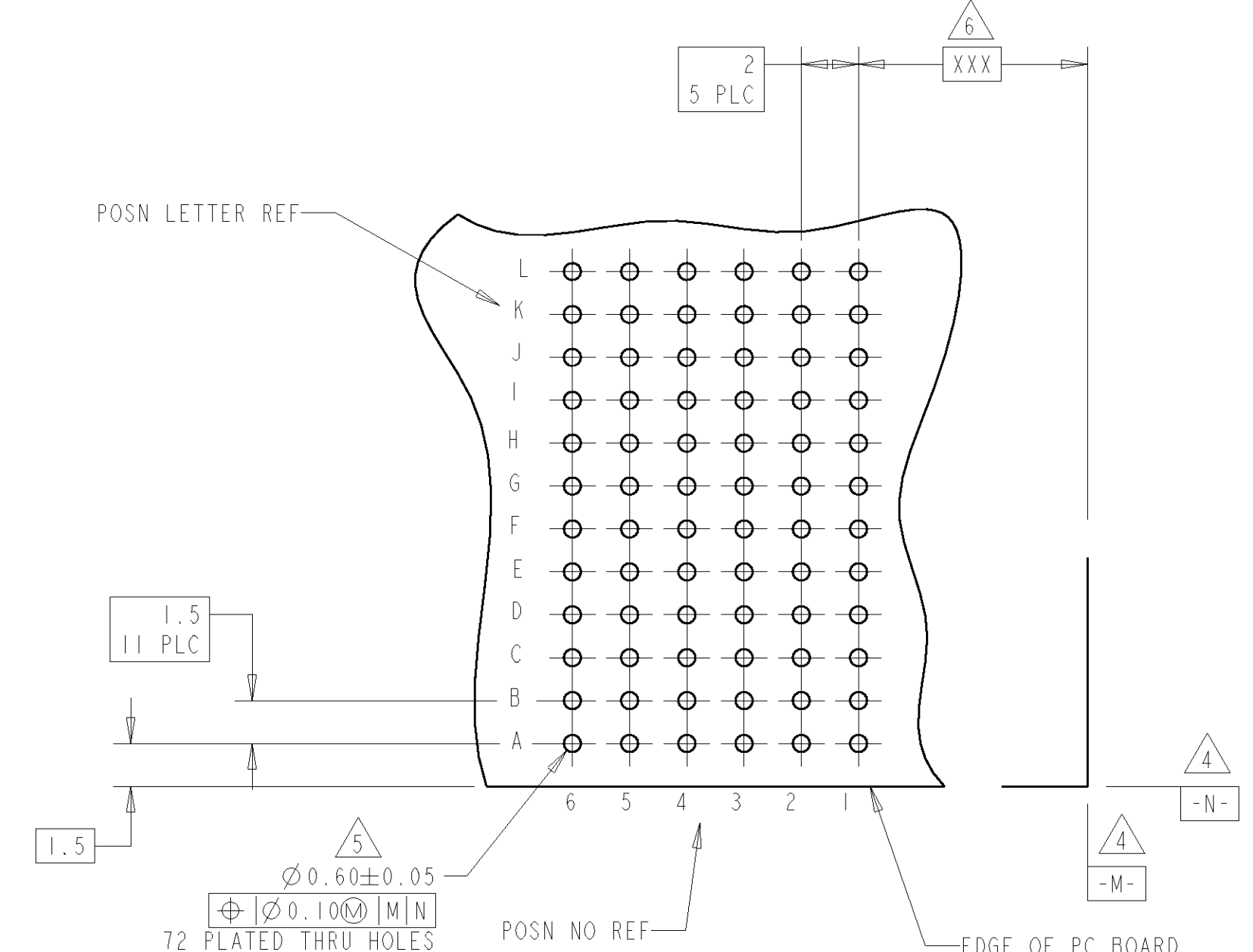
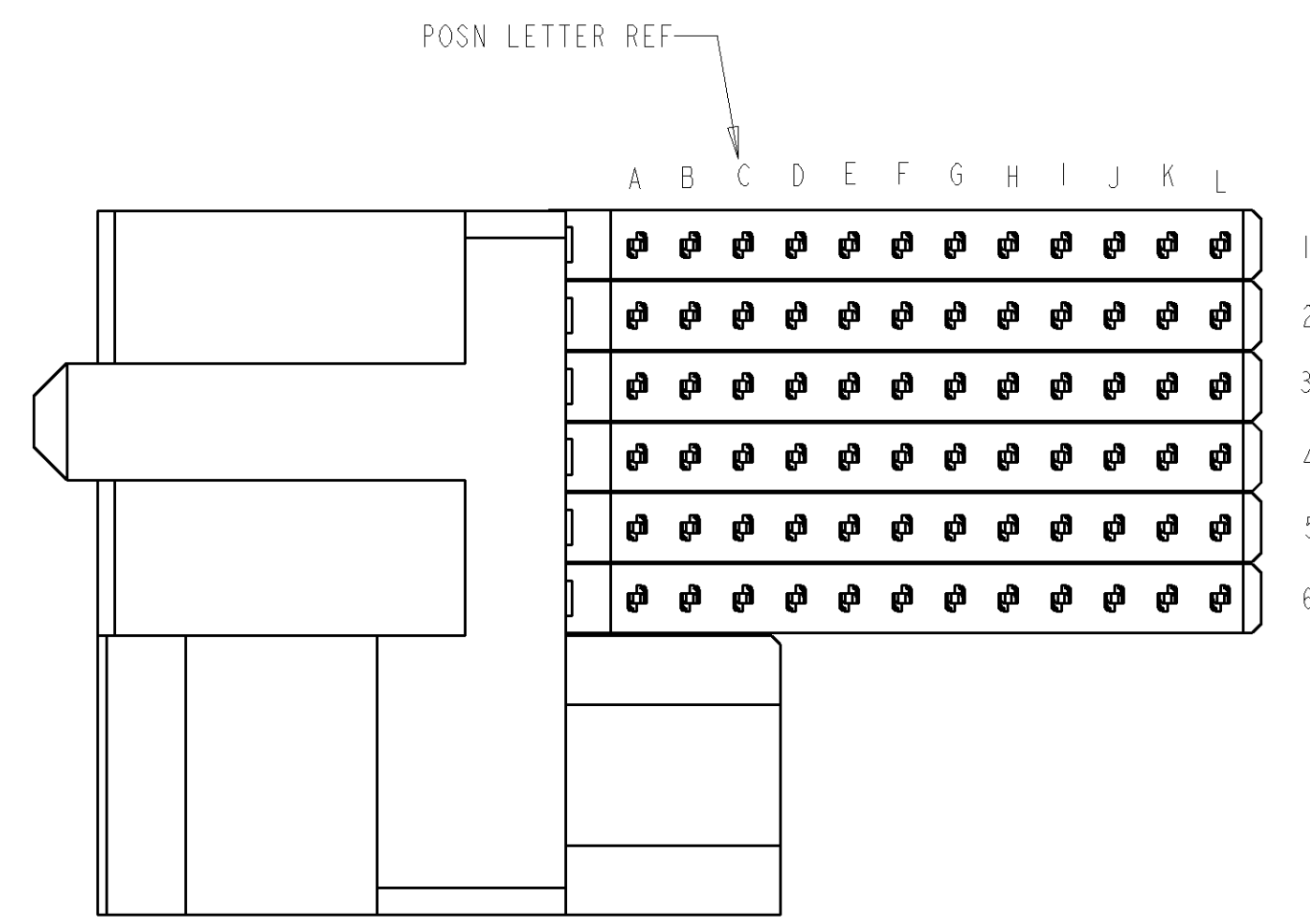


LOC		DIST		REVISIONS			
AD	00	P	LTR	DESCRIPTION	DATE	DWN	APVD
		0		REV PER EC 0512-0319-04	01JUN2005	BC	GS
		A		REV PER EC 0512-0302-05	13DEC2005	BC	GS



DETAIL Y
SCALE 15:1
TYPICAL



RECOMMENDED
PRINTED CIRCUIT BOARD
LAYOUT
RECOMMENDED PRINTED CIRCUIT BOARD
THICKNESS 1.27
COMPONENT SIDE OF PRINTED CIRCUIT BOARD

- ① GLASS FILLED POLYESTER, BLACK
- ② PHOSPHOR BRONZE
- ③ CONFORMS TO ALL TESTING ACCORDING TO IEC 61076-4-101 PERFORMANCE LEVEL 2.
- ④ DATUMS ESTABLISHED BY CUSTOMER.
- ⑤ DRILLED HOLE DIAMETER 0.700±0.025
COPPER THK 0.025-0.05
TIN THICKNESS 0.004-0.01
- ⑥ DIMENSION ESTABLISHED BY CUSTOMER.
- ⑦ GENERAL PLATING SPECIFICATION: UNDERPLATING (ENTIRE CONTACT); 1.27µm MIN NICKEL AND ACTION PIN; 0.5µm MIN TIN FOR PLATING OF MATING SURFACES SEE APPLICABLE SPECIFICATION REFERENCE FOR EACH DASH NUMBER.

5120640-1
PART NUMBER

DIMENSIONS: mm 		TOLERANCES UNLESS OTHERWISE SPECIFIED: 0 PLC ± 1 PLC ± 2 PLC ±0.13 3 PLC ± 4 PLC ± ANGLES ± FINISH ±		DWN: B CARBO 01JUN05 ENR: G SKIPPER 01JUN05 APVD: G SKIPPER 01JUN05 PRODUCT SPEC APPLICATION SPEC WEIGHT CUSTOMER DRAWING		Tyco Electronics Harrisburg, PA 17105-3608 NAME: RECEPTACLE ASSEMBLY, SIGNAL/GROUND COMBINATION, 72 POSITION, LEFT HAND, Z-PACK 12 HM SIZE: 00779 C=5120640 SCALE: 5:1 SHEET 1 OF 1 REV A	
-----------------------	--	---	--	---	--	---	--