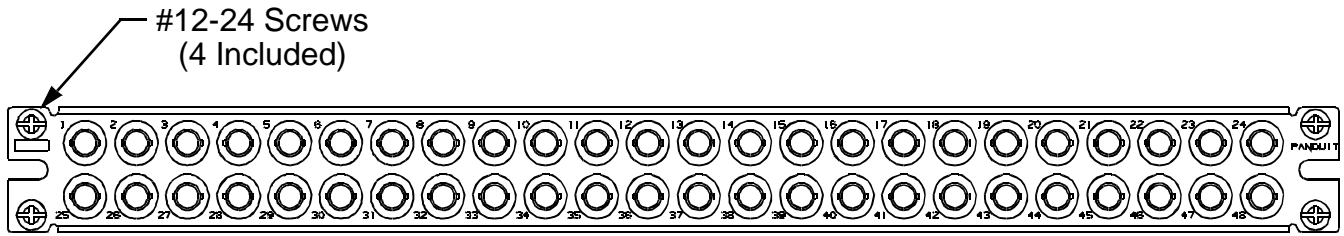


PN245 INSTALLATION INSTRUCTIONS

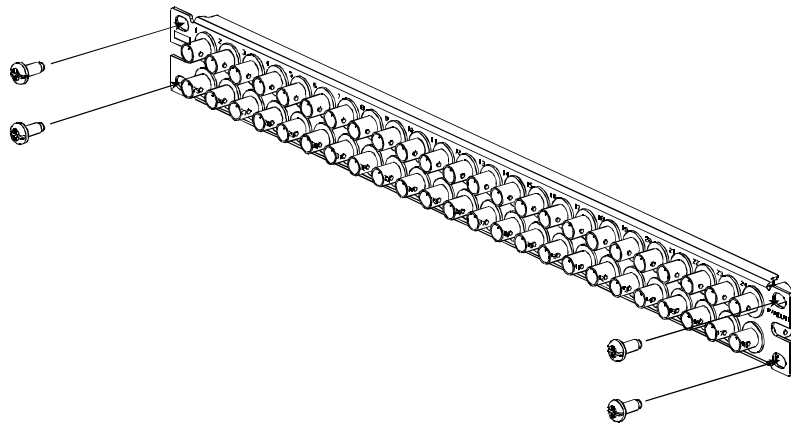
© Panduit Corp. 2001

Printed in U.S.A.

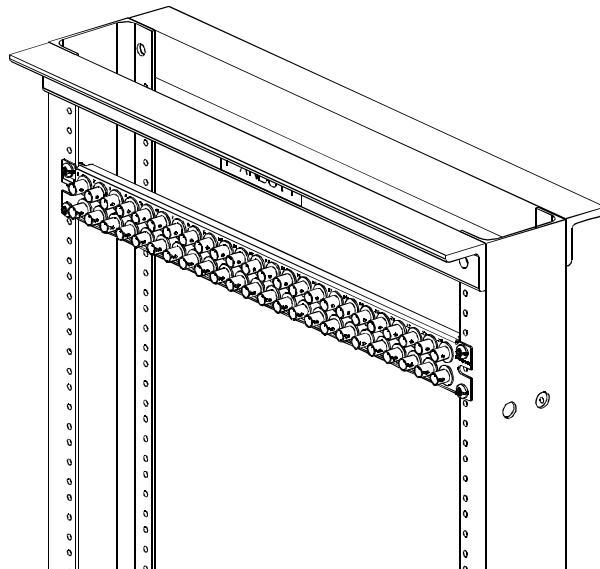


INSTALLATION

1. Align the #12-24 screws (enclosed) with the slots on the patch panel.



2. Align screws with desired holes on rack.



WORLDWIDE SUBSIDIARIES AND SALES OFFICES



NETWORK CONNECTIVITY GROUP

10500 West 167th Street
Orland Park, Illinois 60467

Phone: 866-405-6654
Fax: 708-444-6993

E-mail: info@panduit.com
Web site: www.panduit.com/ncg