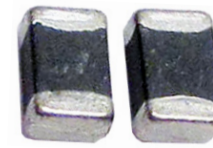


# Multilayer Ferrite Chip Bead (High Current)



2.0 x 1.25 x 0.85mm

ACML-0805H



RoHS/RoHS II compliant

## FEATURES:

- Multilayer monolithic structure yields high reliability
- Unique terminal electrode structure ensures permissible currents
- High impedance over a wide frequency range

## TYPICAL APPLICATIONS:

- Audio & Video Equipment
- Communication Equipment
- OA Equipment

## STANDARD SPECIFICATIONS:

### PARAMETERS

ABRACON P/N:	ACML-0805H-xxx Series
Operating temperature:	-55°C to + 125°C
Storage temperature:	-55°C to + 125°C

Part Number ACML-0805H- Impedance Code	Impedance	Frequency	DC resistance	Rated Current
Units	$\Omega \pm 25\%$	MHz	$\Omega$ max	mA max
Symbol	Z	F	R <sub>DC</sub>	I <sub>R</sub>
ACML-0805H-070	7	100	0.02	4000
ACML-0805H-110	11	100	0.02	3000
ACML-0805H-310	31	100	0.03	3000
ACML-0805H-600	60	100	0.05	3000
ACML-0805H-101	100	100	0.08	2000
ACML-0805H-121	120	100	0.10	2000
ACML-0805H-181	180	100	0.15	2000
ACML-0805H-221	220	100	0.17	2000
ACML-0805H-301	300	100	0.20	1500
ACML-0805H-601	600	100	0.25	1200
ACML-0805H-102	1000	100	0.30	1000

### Test Conditions and Equipments

**I<sub>R</sub>**: Rated current applied when the chip surface temperature rise just 40°C against chip surface temperature.

Electric power supplier, Electric current meter, Thermometer.

**Z**: Impedance Analyzer HP4291 or equivalent, 50mV.

**DCR**: LCR Meter HP4263A or equivalent

## OPTIONS AND PART IDENTIFICATION:

ACML-0805H- [ ] - [ ]

### Impedance Code

Please refer to the  
Electrical Specification  
table

### Packaging

T: Tape and Reel  
(4kpcs / reel)

ABRACON IS  
ISO 9001:2008  
CERTIFIED



**ABRACON**  
CORPORATION

Visit [www.abracon.com](http://www.abracon.com) for Terms & Conditions of Sale

Revised: 07.30.14

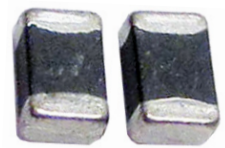
30332 Esperanza, Rancho Santa Margarita, California 92688  
tel 949-546-8000 | fax 949-546-8001 | [www.abracon.com](http://www.abracon.com)

# Multilayer Ferrite Chip Bead (High Current)

ACML-0805H

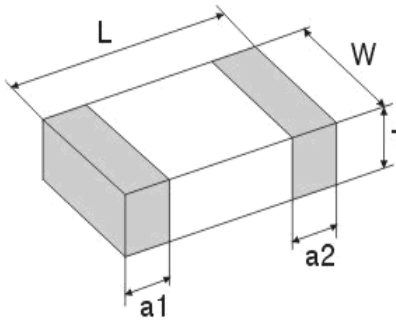


RoHS/RoHS II compliant



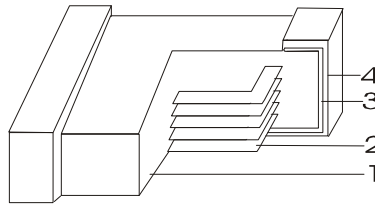
2.0 x 1.25 x 0.85mm

## OUTLINE DRAWING:



L	W	T	a1, a2
2.00±0.20	1.25±0.20	0.85±0.20	0.50±0.30

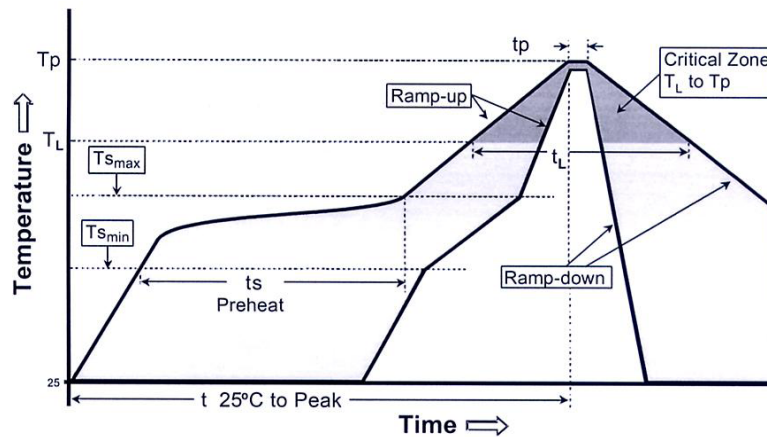
## Materials



	Part Name	Material
1	Base Material	Ferrite
2	Internal Conductor	Ag
3	Terminal Electrode	Ag
4	Terminal Electrode	Ni-Sn

Dimension: mm

## REFLOW PROFILE:



Profile Feature	Lead-Free Assembly
Time maintained above: - Temperature (TL) - Time (tL)	217 °C 60-150 seconds
Peak/Classification Temperature (Tp) Peak/Classification Time (Tp)	260 °C 3-4 seconds
Time within 5 °C of actual Peak Temperature (tp)	20-40 seconds
Ramp-Down Rate	6°C/second max.
Time 25 °C to Peak Temperature	8 minutes max.

ABRACON IS  
ISO 9001:2008  
CERTIFIED



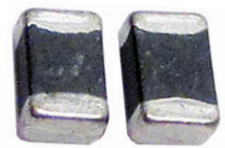
Visit [www.abracon.com](http://www.abracon.com) for Terms & Conditions of Sale **Revised: 07.30.14**  
30332 Esperanza, Rancho Santa Margarita, California 92688  
tel 949-546-8000 | fax 949-546-8001 | [www.abracon.com](http://www.abracon.com)

# Multilayer Ferrite Chip Bead (High Current)

ACML-0805H



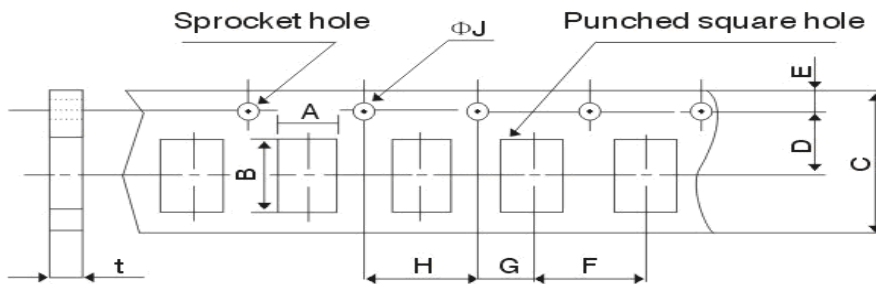
RoHS/RoHS II compliant



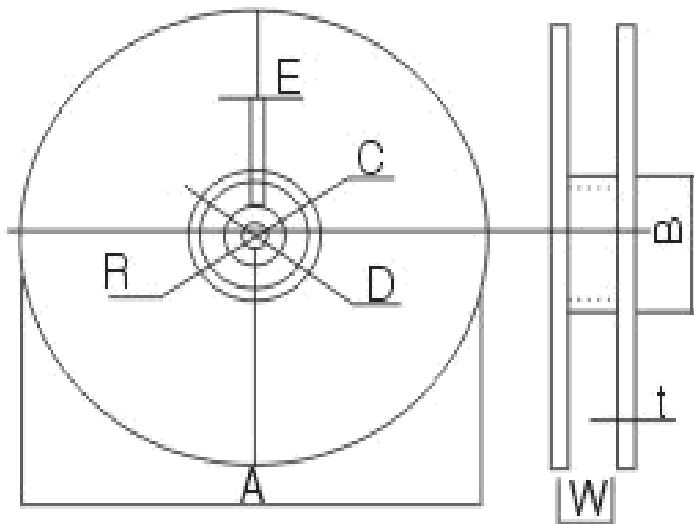
2.0 x 1.25 x 0.85mm

## TAPE & REEL:

T= tape and reel (4,000 pcs/reel)



T	0.85±0.2
A	1.5±0.15
B	2.5±0.2
C	8.0±0.3
D	3.5±0.05
E	1.75±0.1
F	4.0±0.1
G	2.0±0.05
H	4.0±0.1
ΦJ	1.5+0.1/-0
t(max)	1.1±0.05



A	178±2
B	60±2
C	13.0±0.5
D	21.0±0.8
E	2.0±0.5
W	10.0±1.15
t	1.2±0.2
R	1.0±0.25

Dimension: mm

**ATTENTION:** Abracon Corporation's products are COTS – Commercial-Off-The-Shelf products; suitable for Commercial, Industrial and, where designated, Automotive Applications. Abracon's products are not specifically designed for Military, Aviation, Aerospace, Life-dependant Medical applications or any application requiring high reliability where component failure could result in loss of life and/or property. For applications requiring high reliability and/or presenting an extreme operating environment, written consent and authorization from Abracon Corporation is required. Please contact Abracon Corporation for more information.

ABRACON IS  
ISO 9001:2008  
CERTIFIED



Visit [www.abracon.com](http://www.abracon.com) for Terms & Conditions of Sale **Revised: 07.30.14**  
30332 Esperanza, Rancho Santa Margarita, California 92688  
tel 949-546-8000 | fax 949-546-8001 | [www.abracon.com](http://www.abracon.com)

# Mouser Electronics

Authorized Distributor

Click to View Pricing, Inventory, Delivery & Lifecycle Information:

## ABRACON:

[ACML-0805H-101-T](#) [ACML-0805H-221-T](#) [ACML-0805H-601-T](#) [ACML-0805H-102-T](#) [ACML-0805H-310-T](#) [ACML-0805H-301-T](#) [ACML-0805H-600-T](#) [ACML-0805H-121-T](#) [ACML-0805H-110-T](#) [ACML-0805H-070-T](#) [ACML-0805H-181-T](#)