

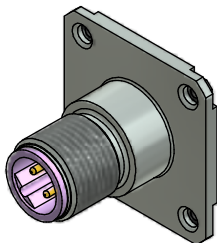
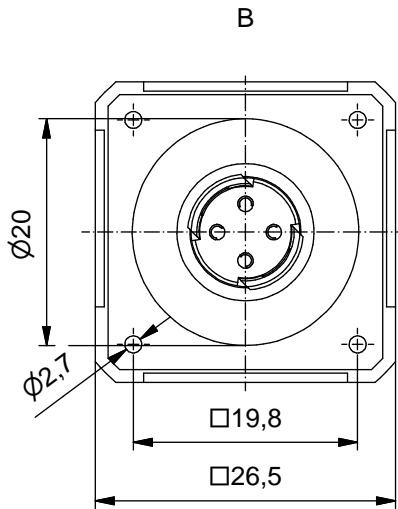
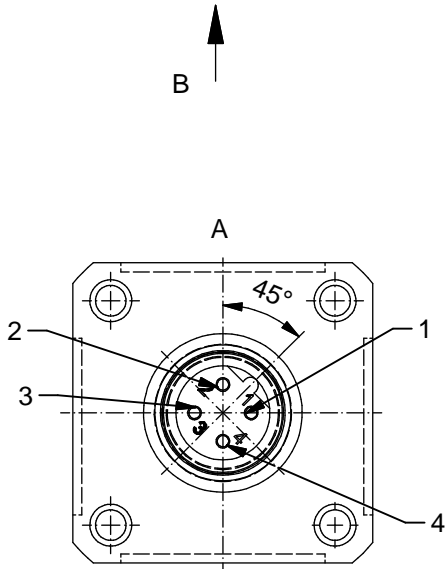
Sealing
onesided self-adhesive

Technical specification:

Rated voltage: IEC 61076-2-101	250 V
Current rating: IEC 61076-2-101	4 A at 40°C
Insulation resistance: IEC 60512	≥100 MΩ
Pollution degree: IEC 60664-1	3/2
Degree of protection: IEC 60529	IP 67, in mated condition
Temperature range:	-30°C ... +80°C
Mating cycles: IEC 60512-9a	≥100

Materials:

Contact:	CuZn
Contact plating:	Nickel, gold plated
Contact carrier:	PBT GF, UL 94
Sealing:	NBR
Socket housing:	CuZn, nickel plated
Grouting:	Polyurethane-resin, UL 94



Part-no.:	Description:	Pos
43-02305	SAL - 12B - FSV4 - L - 26	4

DO NOT ALTER CAD DRAWING BY HAND Directive 2011/65/EU RoHS compliant	dim. in mm		title: Male socket M12x1 with soldering contact, with square, Profibus	
		date		name
		drawn	18.09.13	Fromm
		appd.	18.09.13	Mankopf
general tolerance: 0 ± 0,50mm 0,0 ± 0,25mm 0,00 ± 0,10mm			dwg no: 43K1A2132	
				part no:
THIS DRAWING MAY NOT BE COPIED OR REPRODUCED IN ANY WAY, AND MAY NOT BE PASSED ON TO A THIRD PARTY WITHOUT WRITTEN PERMISSION. OWNERSHIP AND COPYRIGHT OF CONEC GmbH				