



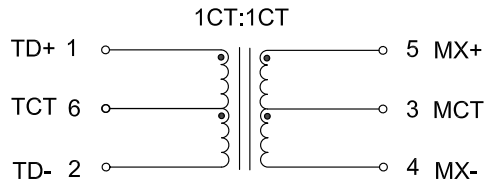
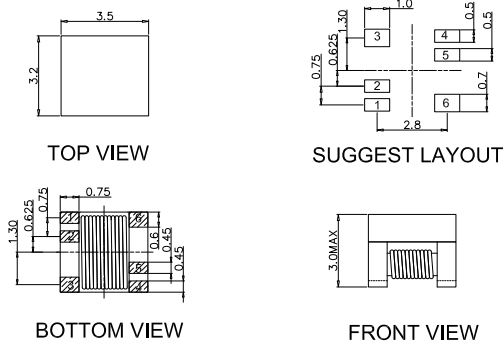
SMD PULSE TRANSFORMER

Meets IEEE 802.3 Standards.
Designed For 1G,2.5G/5G BASE-T Applications, Surface Mount Type.
Operating Temperature Range: -40 °C to +85°C.
RoHS Compliant.

Part Number	Electrical Specifications @25°C							
	Turns Ratio (±5%)	OCL(μH Min) @100KHz,0.1V With 8mA DC Bias	LK(μH Max) @100KHz,0.1V	CWW(pF Max) @100KHz,0.1V	DCR (Ω Max)	Insertion Loss (dB Max)	Return Loss (dB Min)	HI-POT (Vrms)
FB020G11	1CT:1CT	120	0.5	35	2.0	-0.5@1-50MHz -1.0@50-125MHz -2.0@125-250MHz	-18@1-40MHz -18+10*Log(F/40) @40-250MHz	1500

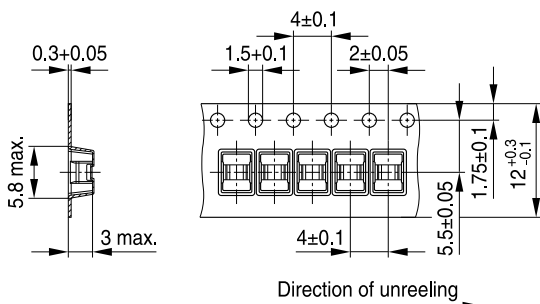
MECHANICAL

SCHEMATICS

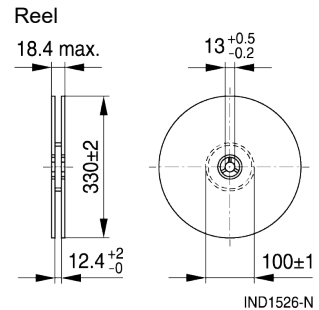


Unless otherwise specified all tolerances are:±0.25 in mm

TAPING AND PACKING



IND1752-J-E



Dimensions in mm

Quantity (pcs):
2500 PCS PER REEL
10 REELS PER CARTON
25000 PCS PER CARTON