

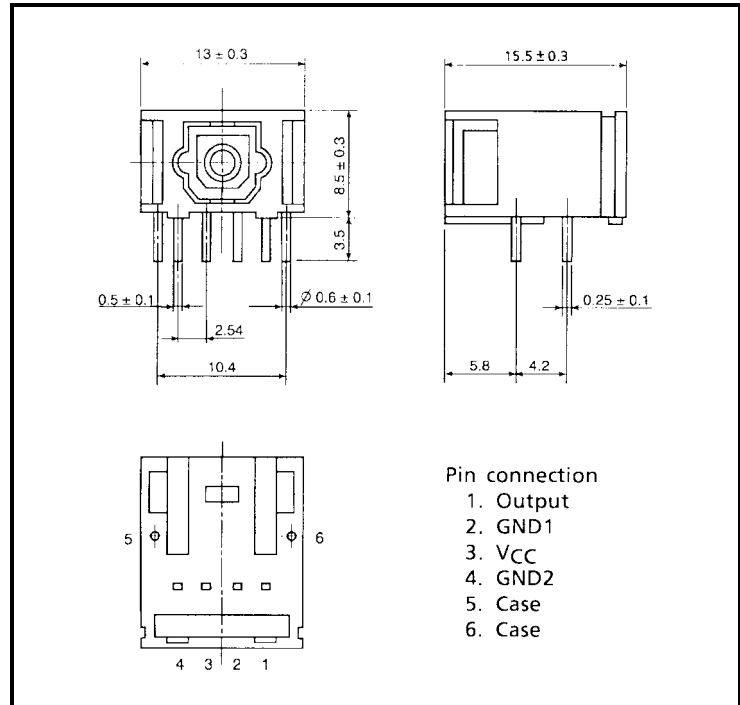
FIBER OPTIC RECEIVING MODULE

**TORX194**

FIBER OPTIC RECEIVING MODULE  
FOR SIMPLEX DIGITAL SIGNAL  
TRANSMISSION

Unit: mm

- Data rate: DC to 10 Mb/s (NRZ code)
- Transmission distance:  
Up to 50 m (APF)  
Up to 1000 m (PCF)
- TTL Interface
- ATC (Automatic Threshold Control)  
Circuit is used for stabilized output at  
a wide range of optical power level.



**1. Maximum Ratings (Ta = 25°C)**

Characteristics	Symbol	Rating	Unit
Storage Temperature	T <sub>stg</sub>	-40 to 85	°C
Operating Temperature	T <sub>opr</sub>	-40 to 85	°C
Supply Voltage	V <sub>CC</sub>	-0.5 to 7	V
Low Level Output Current	I <sub>OL</sub>	20	mA
High Level Output Current	I <sub>OH</sub>	-1	mA
Soldering Temperature	T <sub>sol</sub>	260 (Note 1)	°C

Note 1: Soldering time ≤ 3 s (More than 1 mm apart from the package).

## 2. Recommended Operating Conditions

Characteristics	Symbol	Min	Typ.	Max	Unit
Supply Voltage	V <sub>CC</sub>	4.75	5.0	5.25	V
High Level Output Current	I <sub>OH</sub>	—	—	-150	μA
Low Level Output Current	I <sub>OL</sub>	—	—	1.6	mA

## 3. Electrical and Optical Characteristics (Ta = 25°C, V<sub>CC</sub> = 5 V)

Characteristics	Symbol	Test Condition	Min	Typ.	Max	Unit
Data Rate		NRZ code (Note 2)	DC	—	10	Mb/s
Transmission Distance		Using APF (Note 3), DC to 10 Mb/s	0.2	—	50	m
		Using PCF (Note 4), DC to 10 Mb/s	0.2	—	1000	m
Pulse Width Distortion (Note 5)	Δtw	Pulse width 100 ns Pulse cycle 200 ns C <sub>L</sub> = 10 pF	-30	—	30	ns
Maximum Receivable Power (Note 6)	P <sub>MAX</sub>	DC to 10 Mb/s, APF	-14	—	—	dBm
		DC to 10 Mb/s, PCF	-18	—	—	dBm
Minimum Receivable Power (Note 6)	P <sub>MIN</sub>	DC to 10 Mb/s, APF	—	—	-27	dBm
		DC to 10 Mb/s, PCF	—	—	-29	dBm
Current Consumption	I <sub>CC</sub>		—	22	40	mA
High Level Output Voltage	V <sub>OH</sub>		2.7	—	—	V
Low Level Output Voltage	V <sub>OL</sub>		—	—	0.4	V

Note 2: The duty factor must be such as kept 25 to 75%.

High level output when optical flux is received. Low level output when optical flux is not received.

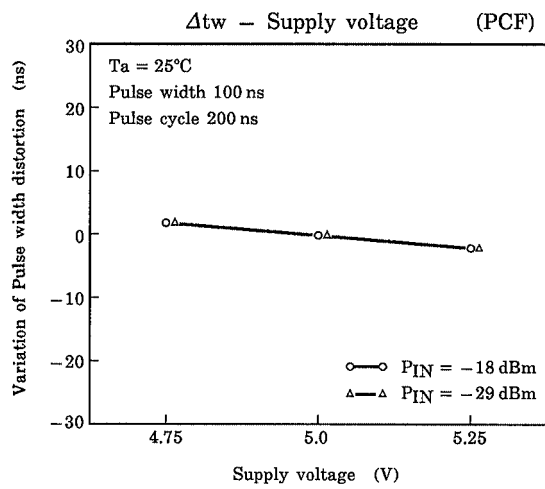
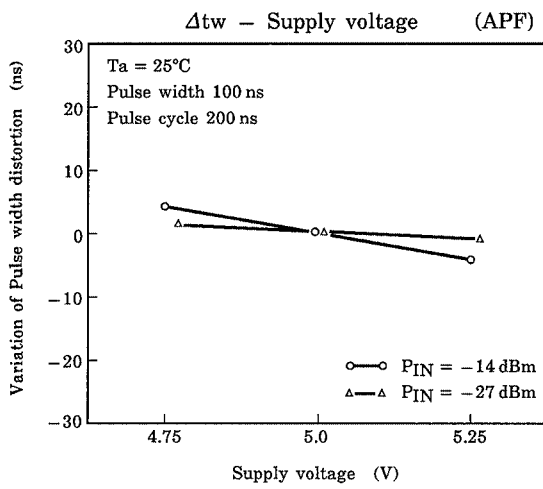
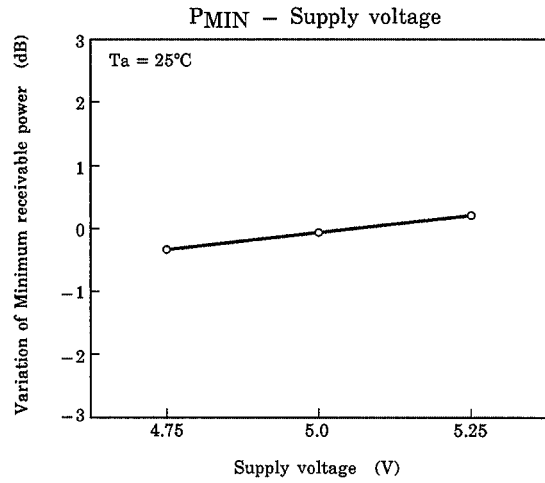
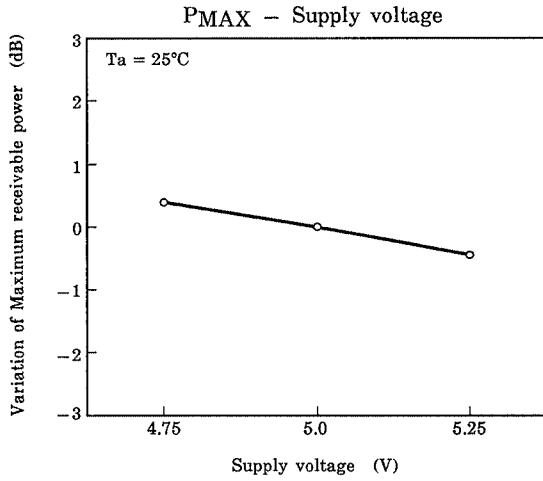
Note 3: All Plastic Fiber (980/1000 μm) with polished surface.

Note 4: Plastic cladding silica fiber (200/300 μm) with polished surface.

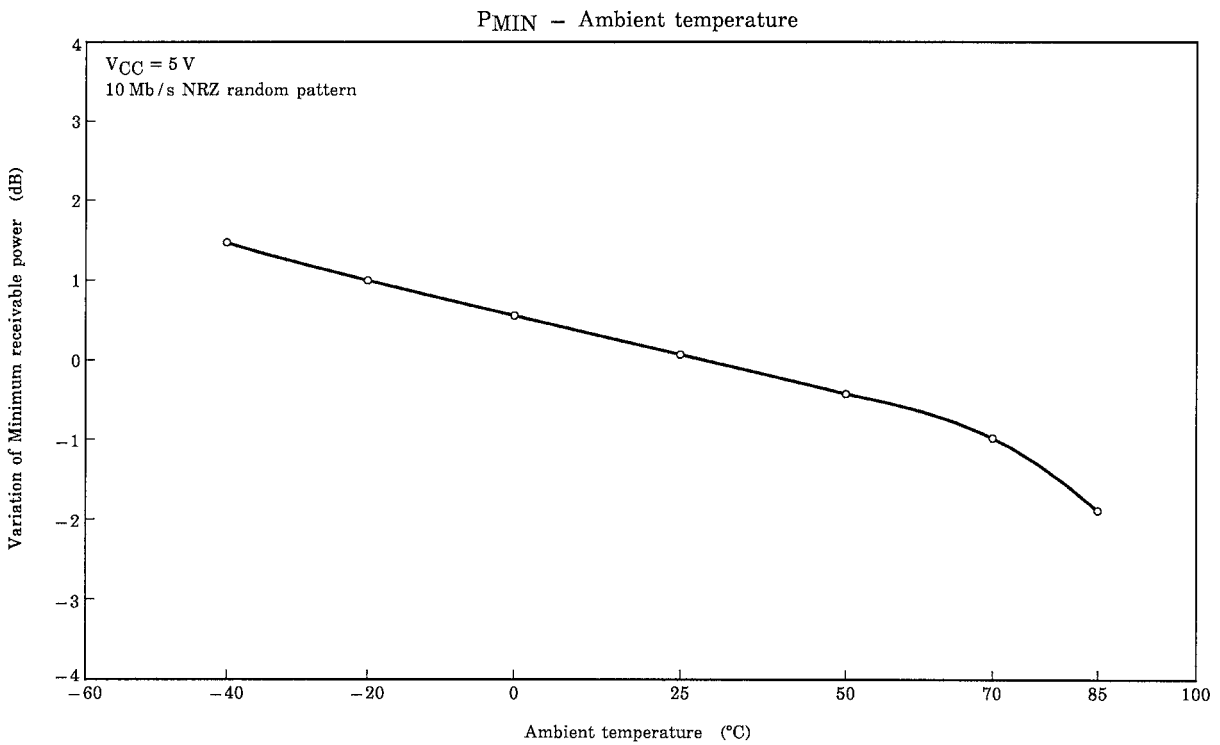
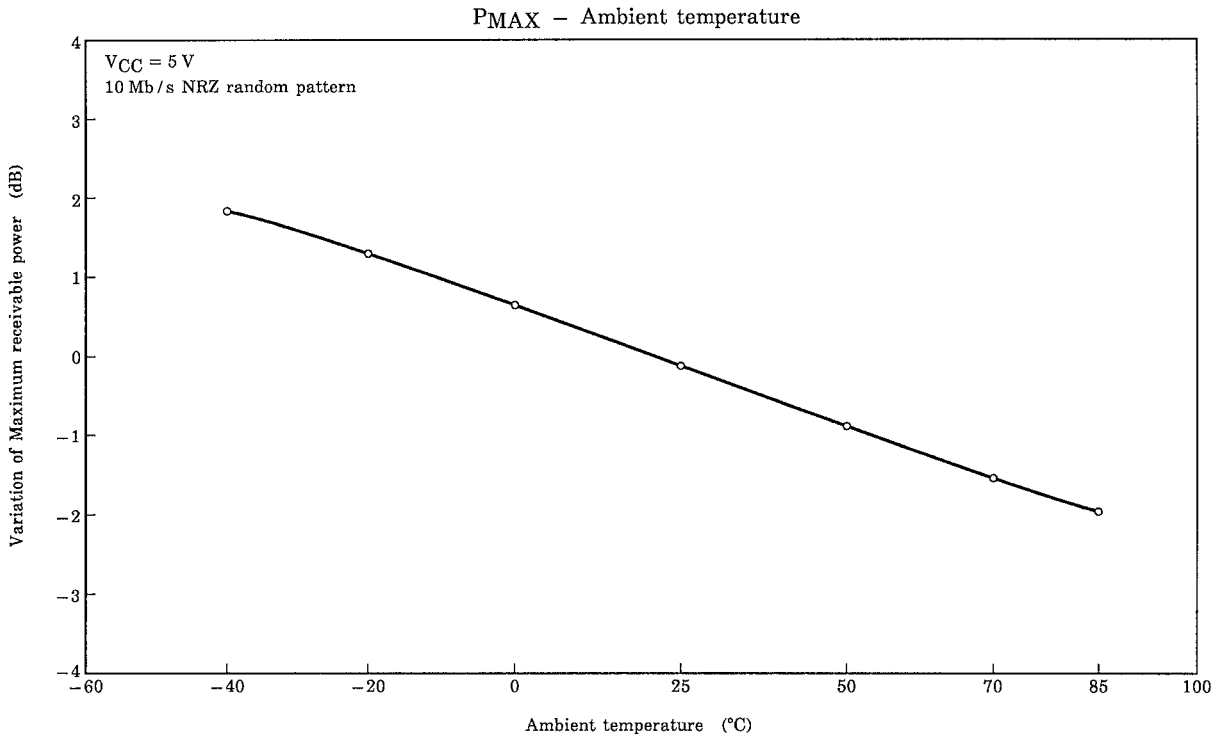
Note 5: Between input of a fiber optic transmitting module and output of TORX194.

Note 6: BER ≤ 10<sup>-9</sup>, valued by peak.

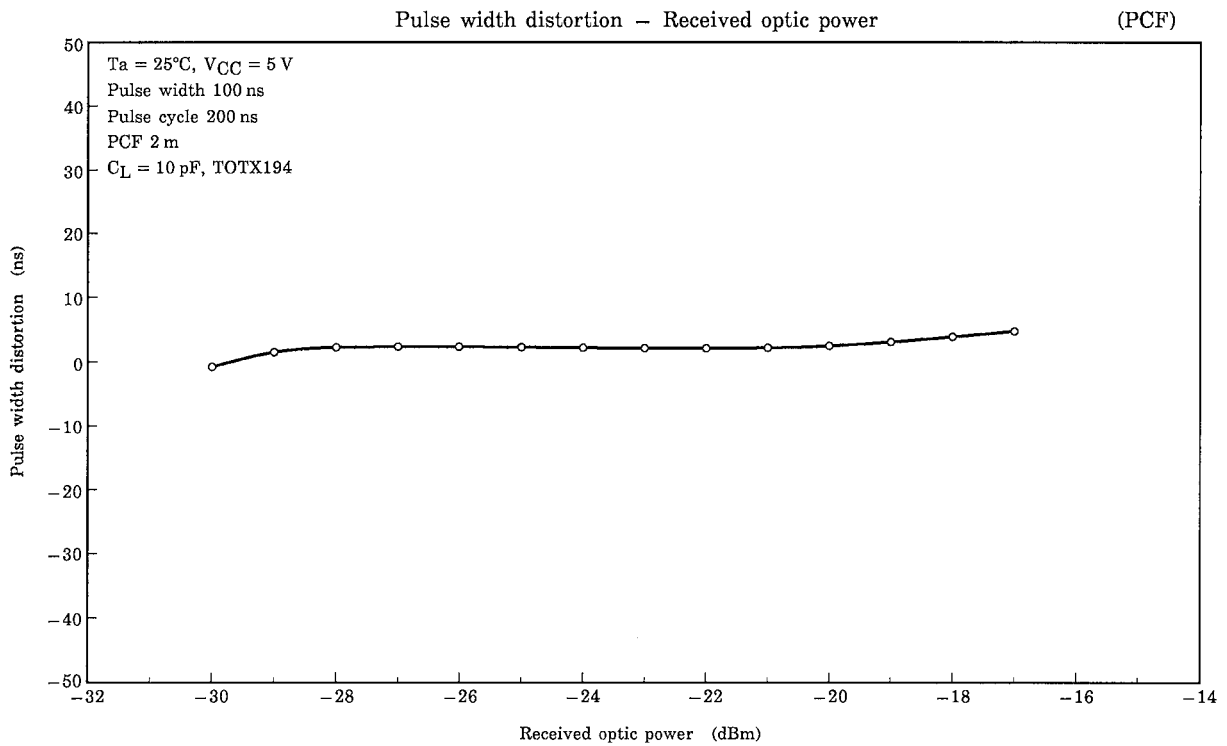
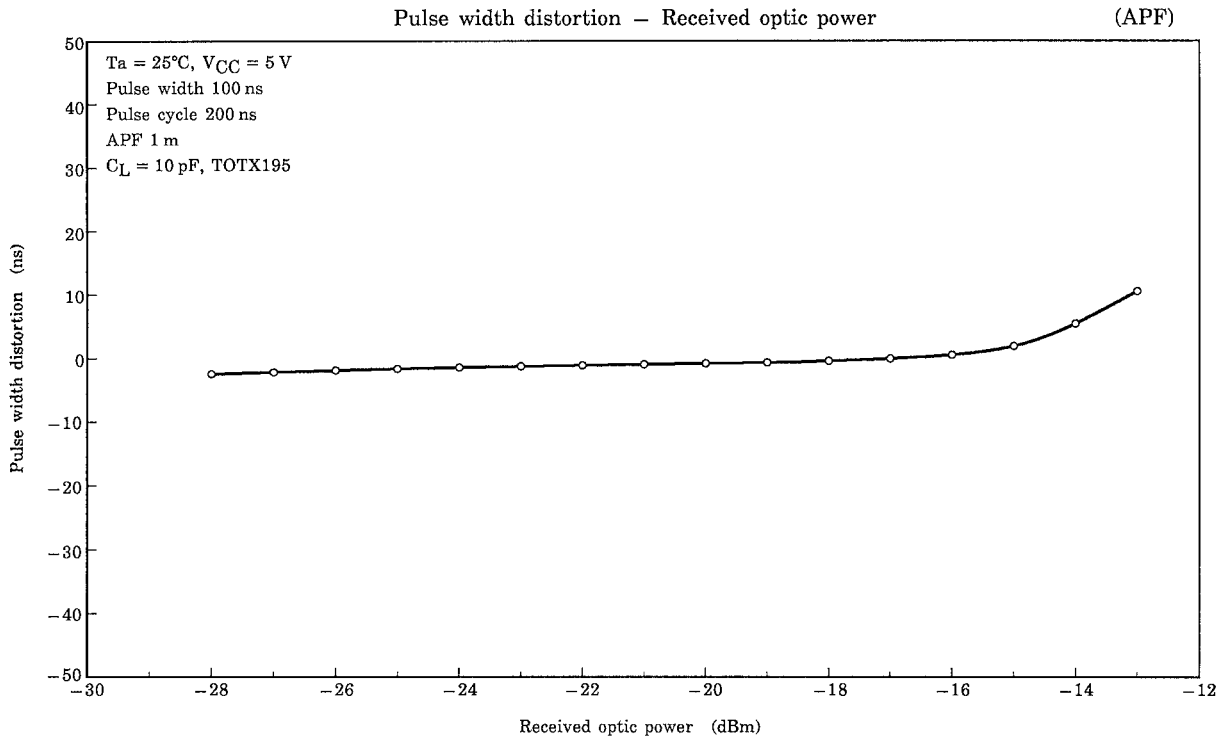
4. Example of Typical Characteristics



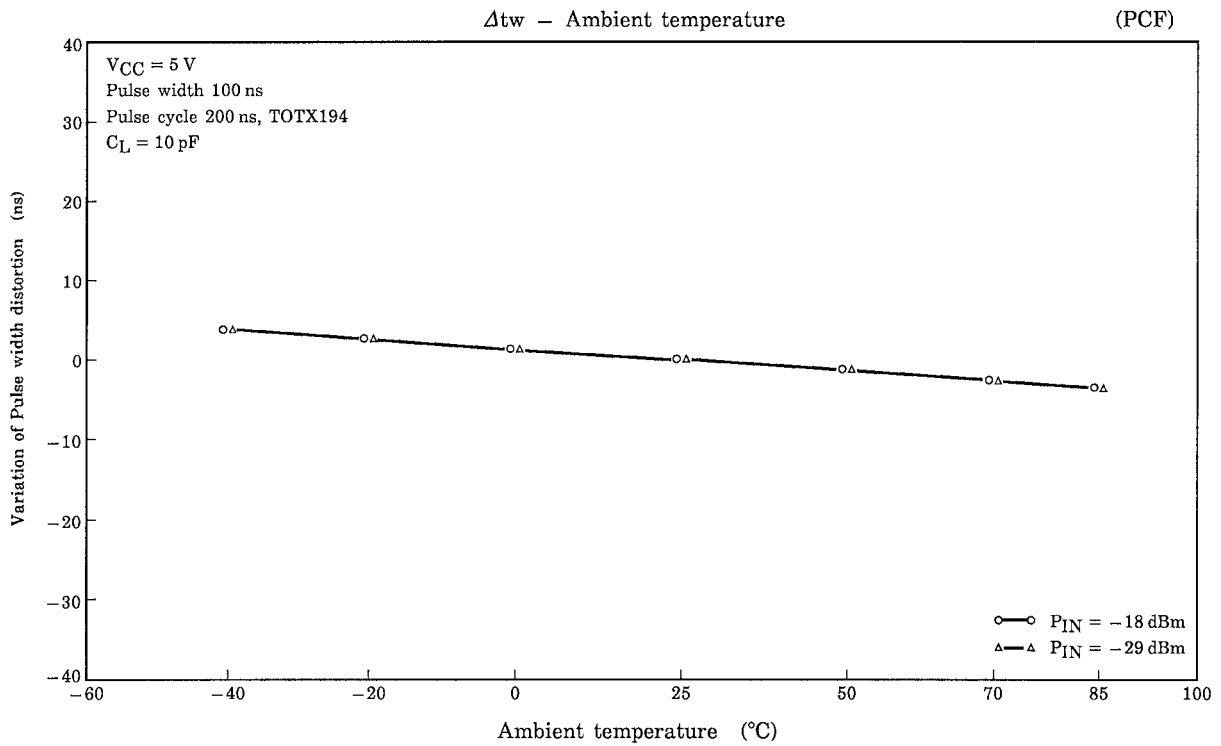
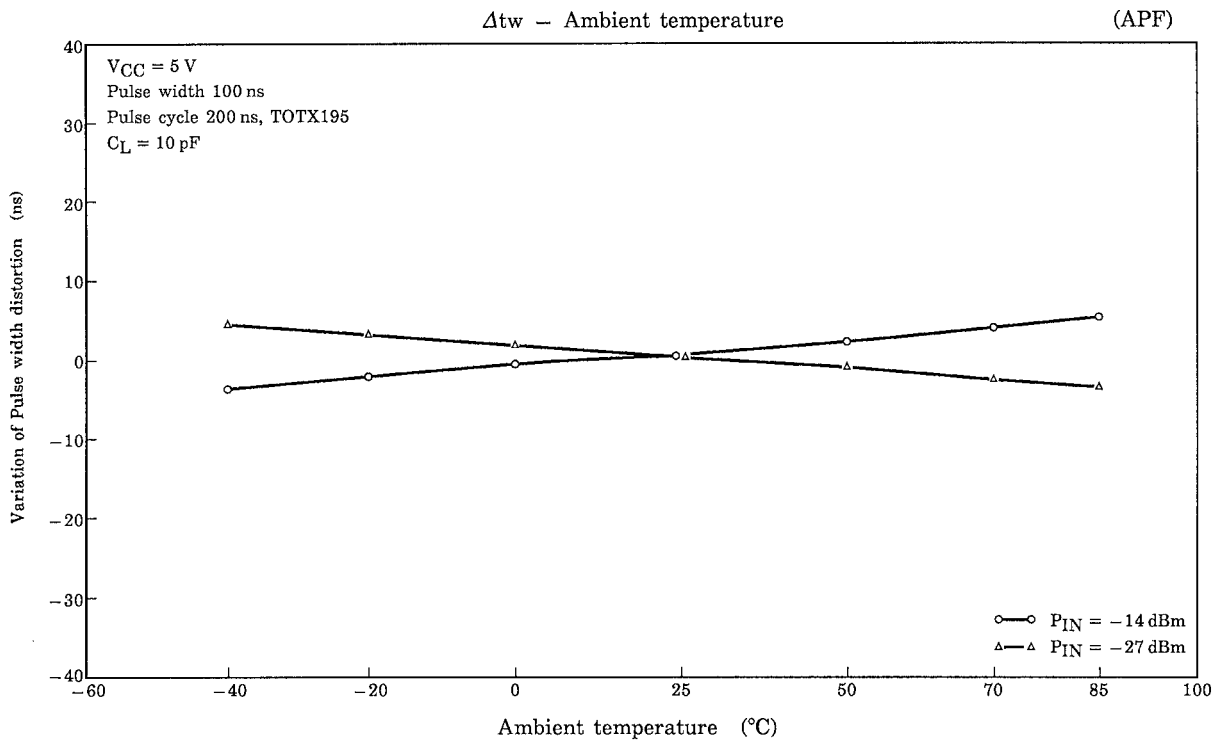
Note 7: There give characteristic examples, and its values are not guaranteed.



Note 7: There give characteristic examples, and its values are not guaranteed.

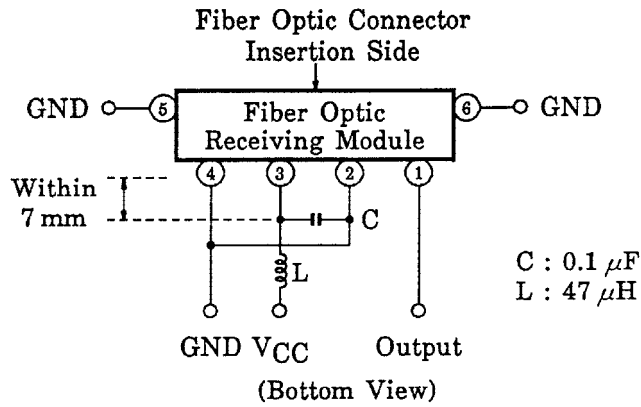


Note 7: There give characteristic examples, and its values are not guaranteed.



Note 7: There give characteristic examples, and its values are not guaranteed.

**5. Application Circuit**



**6. Applicable Optical Fiber with Fiber Optic Connectors**

**(APF)**

TOCP100-□□B, TOCP155-□□B, TOCP100P-□□B, TOCP155P-□□B

**(PCF)**

TOCP100Q-□□B, TOCP150Q-□□B, TOCP100X-□□B, TOCP150X-□□B

CF-1071 series

## 7. Precaution on Use

- (1) Maximum rating  
The maximum ratings are the limit values which must not be exceeded during operation of device. None of these rating value must not be exceeded. If the maximum rating value is exceeded, the characteristics of devices may never be restored properly. In extreme cases, the device may be permanently damages.
- (2) Soldering  
Optical modules are comprised of internal semiconductor devices. However, in principle, optical modules are optical components. During soldering, ensure that flux does not contact with the emitting surface or the detecting surface. Also ensure that proper flux removal is conducted after soldering. Some optical modules come with a protective cap. The protective cap is used to avoid malfunction when the optical module is not in use. Note that it is not dust or waterproof.  
As mentioned before, optical modules are optical components. Thus, in principle, soldering where there may be flux residue and flux removal after soldering is not recommended. Toshiba recommend that soldering be performed without the optical module mounted on the board. Then, after the board has been cleaned, the optical module should be soldered on to the board manually.  
If the optical module cannot be soldered manually, use non-halogen (chlorine-free) flux and make sure, without cleaning, there is no residue such as chlorine. This is one of the ways to eliminate the effects of flux. In such a cases, be sure to check the devices' reliability.
- (3) Noise resistance  
It is believed that the use of optical transfer devices improve noise resistance. In theory, optical fiber is not affected by noise at all. However, receiving modules which handle signals whose level is extremely small, are susceptible to noise.  
TOSLINK improve noise resistance to use a conductive case. However, the current signal output by the optical receiving modules' photodiode is extremely small. Thus, in some environments, shielding the case may not achieve sufficient noise resistance.  
First systems which incorporate TOSLINK, Toshiba recommend testing using the actual device to check its noise resistance.  
Use a simple noise filter on TOSLINK fiber optic transceiving module's power line. If the ripple in the power supply used is significant, reinforce the filter.  
The optical module is to be used in an area which is susceptible to radiated noise, increase the shielding by covering the optical module and the power line filter with a metallic cover.
- (4) Vibration and shock  
This module is plastic sealed and has its wire fixed by resin. This structure is relatively resistant to vibration and shock. In actual equipment, there are sometime cases in which vibration, shock, or stress is applied to soldered parts or connected parts, resulting in lines cut. A care must be taken in the design of equipment which will be subject to high levels of vibration.
- (5) Fixing fiber optical receiving module  
Solder the fixed pin (pins 5 and 6) of fiber optic receiving module TORX194 to the printed circuit board to fix the module to the board.
- (6) Shielding and wiring pattern of fiber optic receiving modules  
To shield, connect the fixed pins (pins 5 and 6) of fiber optic transceiving module TORX194 to the GND.  
Where the fiber optic receiving module uses conductive resin, be careful that the case does not touch wiring (including land).  
To improve noise resistance, shield the optical module and the power line filter using a metallic cover.
- (7) Solvent  
When using solvent for flux removal, do not use a high acid or high alkali solvent. Be careful not to pour solvent in to the optical connector ports. If solvent is inadvertently poured in to them, clean it off using cotton tips.
- (8) Protective cap  
When the TORX194 is not in use, attach the protective cap.
- (9) Supply voltage  
Use the supply voltage within the recommended operating condition ( $V_{CC} = 5 \pm 0.25 V$ ). Make sure that supply voltage does not exceed the maximum rating value of 7 V, even for an instant.
- (10) Output  
If the receiver output is at low and is connected to the power supply, or if the output is high and is connected to GND, the internal IC may be destroyed.



- (11) Soldering condition  
Solder at 260°C or less for no more than three seconds.
- (12) Precautions when disposing of devices and packing materials.  
When disposing devices and packing materials, follow the procedures stipulated by local regulations in order to protect the environment against contamination.  
When devices are disposed of, worker safety and protection of the environment must be taken into account.
- (13) Precautions during use  
Toshiba is continually working to improve the quality and the reliability of their products. Nevertheless, semiconductor devices in general can malfunction or fail due to their inherent electrical sensitivity and their vulnerability to physical stress. It is the responsibility of the buyer, when utilizing Toshiba products, to observe standards of safety, and to avoid situations in which the malfunction or failure of a Toshiba product could cause loss of human life, bodily injury or damage to property.  
When developing equipment, please ensure that Toshiba products are used within the specified operating ranges set forth in the most recent product specifications. Also, please keep in mind the precautions and conditions set forth in the Toshiba Semiconductor Reliability Handbook.

**RESTRICTIONS ON PRODUCT USE**

000707EAA

- TOSHIBA is continually working to improve the quality and reliability of its products. Nevertheless, semiconductor devices in general can malfunction or fail due to their inherent electrical sensitivity and vulnerability to physical stress. It is the responsibility of the buyer, when utilizing TOSHIBA products, to comply with the standards of safety in making a safe design for the entire system, and to avoid situations in which a malfunction or failure of such TOSHIBA products could cause loss of human life, bodily injury or damage to property.  
In developing your designs, please ensure that TOSHIBA products are used within specified operating ranges as set forth in the most recent TOSHIBA products specifications. Also, please keep in mind the precautions and conditions set forth in the "Handling Guide for Semiconductor Devices," or "TOSHIBA Semiconductor Reliability Handbook" etc..
- The TOSHIBA products listed in this document are intended for usage in general electronics applications (computer, personal equipment, office equipment, measuring equipment, industrial robotics, domestic appliances, etc.). These TOSHIBA products are neither intended nor warranted for usage in equipment that requires extraordinarily high quality and/or reliability or a malfunction or failure of which may cause loss of human life or bodily injury ("Unintended Usage"). Unintended Usage include atomic energy control instruments, airplane or spaceship instruments, transportation instruments, traffic signal instruments, combustion control instruments, medical instruments, all types of safety devices, etc.. Unintended Usage of TOSHIBA products listed in this document shall be made at the customer's own risk.
- The information contained herein is presented only as a guide for the applications of our products. No responsibility is assumed by TOSHIBA CORPORATION for any infringements of intellectual property or other rights of the third parties which may result from its use. No license is granted by implication or otherwise under any intellectual property or other rights of TOSHIBA CORPORATION or others.
- The information contained herein is subject to change without notice.