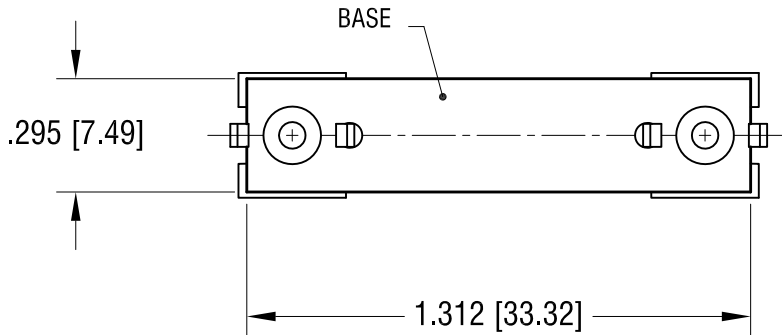
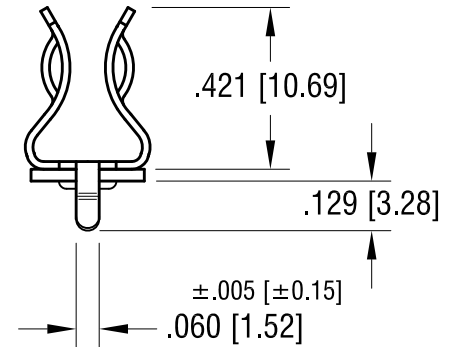
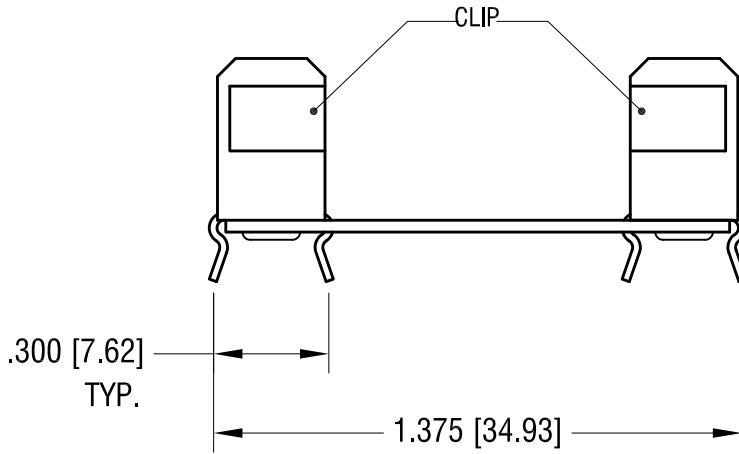
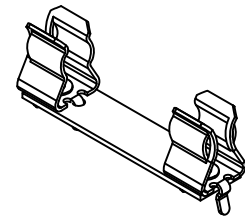
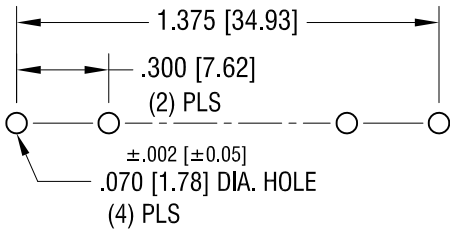



THIS DOCUMENT IS THE PROPERTY OF KEYSTONE ELECTRONICS CORP. AND SHALL NOT BE REPRODUCED, DISTRIBUTED OR USED AS A BASIS FOR MANUFACTURE WITHOUT PRIOR WRITTEN PERMISSION FROM KEYSTONE ELECTRONICS CORP.

MOUNTING DETAIL



NOTES:

1. BASE:
MAT'L: .031 [0.78] TH'K
G-10 GLASS EPOXY UL 94V-0.
2. CLIP: P/N 3513
3.  FILE NUMBER: E354010

4.01.11	CHANGE AS PER ECN 11-043	B
10.29.96	CHANGE AS PER ECR 96-051	A
DATE	DESCRIPTION	REV.

KEYSTONE ELECTRONICS CORP.			
www.keyelco.com • NEW HYDE PARK NY 11040 • Tel (516)328-7500			
PART NAME			
3AG SNAP-IN PC FUSE HOLDER			
MATERIAL			
AS NOTED			
FINISH		DRN BY	DATE
AS NOTED		BOONE	10.22.82
		APP'D	SCALE
		MR	2X
TOLERANCES	INCH [MM]	CODE	DWG NO.
DECIMAL	± .015 [± 0.38]	C	4250
ANGULAR	± 1°		
UNLESS OTHERWISE SPECIFIED			