

368047-1 ✓ ACTIVE

Econoseal J - Mark II

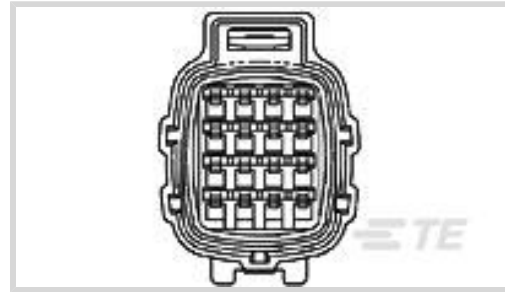
TE Internal #: 368047-1

Housing for Female Terminals, Wire-to-Wire, 16 Position, 4.8 mm [.188 in] Centerline, Sealable, Black, Wire & Cable, Signal, Econoseal J - Mark II

[View on TE.com >](#)



Connectors > Automotive Connectors > Automotive Housings > ECONOSEAL, CONNECTOR HOUSING



Connector System: **Wire-to-Wire**

Number of Positions: **16**

Connector & Housing Type: **Housing for Female Terminals**

Centerline (Pitch): **4.8 mm [.188 in]**

Sealable: **Yes**

[All ECONOSEAL, CONNECTOR HOUSING \(87\)](#)

Features

Product Type Features

Mixed & Hybrid Connector	No
Connector Shape	Rectangular
Connector System	Wire-to-Wire
Connector & Housing Type	Housing for Female Terminals
Sealable	Yes
Connector & Contact Terminates To	Wire & Cable
Primary Locking Feature	Integrated in Housing

Configuration Features

Number of Positions	16
Number of Rows	3

Body Features

Cable Exit Angle	180°
Primary Product Color	Black

Contact Features

Contact Size	1.8mm
Contact Type	Receptacle
Mating Tab Width	1.2 mm[.047 in]



Mechanical Attachment

Terminal Position Assurance	No
Strain Relief	Without
Mating Alignment Type	Polarization Slot
Mating Alignment	With
Connector Mounting Type	Cable Mount (Free-Hanging)

Housing Features

Housing Material	PBT
Centerline (Pitch)	4.8 mm [.188 in]

Dimensions

Connector Height	44.4 mm [1.74 in]
Product Width	27.6 mm [1.08 in]
Product Length	30.6 mm [1.2 in]
Row-to-Row Spacing	5.6 mm [.22 in]

Operation/Application

Circuit Application	Signal
---------------------	--------

Packaging Features

Packaging Quantity	50
Packaging Method	Tray

Other

Serviceable	No
Connector Position Assurance Capable	No

Product Compliance

[For compliance documentation, visit the product page on TE.com>](#)

EU RoHS Directive 2011/65/EU	Compliant
EU ELV Directive 2000/53/EC	Compliant
China RoHS 2 Directive MIIT Order No 32, 2016	No Restricted Materials Above Threshold
EU REACH Regulation (EC) No. 1907/2006	Current ECHA Candidate List: JUNE 2024 (241) Candidate List Declared Against: JUNE 2024 (241) Does not contain REACH SVHC

Halogen Content	Low Halogen - Br, Cl, F, I < 900 ppm per homogenous material. Also BFR/CFR/PVC Free
Solder Process Capability	Not applicable for solder process capability

Product Compliance Disclaimer

This information is provided based on reasonable inquiry of our suppliers and represents our current actual knowledge based on the information they provided. This information is subject to change. The part numbers that TE has identified as EU RoHS compliant have a maximum concentration of 0.1% by weight in homogenous materials for lead, hexavalent chromium, mercury, PBB, PBDE, DBP, BBP, DEHP, DIBP, and 0.01% for cadmium, or qualify for an exemption to these limits as defined in the Annexes of Directive 2011/65/EU (RoHS2). Finished electrical and electronic equipment products will be CE marked as required by Directive 2011/65/EU. Components may not be CE marked. Additionally, the part numbers that TE has identified as EU ELV compliant have a maximum concentration of 0.1% by weight in homogenous materials for lead, hexavalent chromium, and mercury, and 0.01% for cadmium, or qualify for an exemption to these limits as defined in the Annexes of Directive 2000/53/EC (ELV). Regarding the REACH Regulation, the information TE provides on SVHC in articles for this part number is based on the latest European Chemicals Agency (ECHA) 'Guidance on requirements for substances in articles' posted at this URL: <https://echa.europa.eu/guidance-documents/guidance-on-reach>

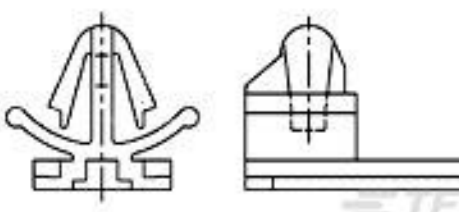
Compatible Parts



TE Part # CAT-EC7491-CH8172
ECONOSEAL, CONNECTOR HOUSING



TE Part # 368049-1
E-J MK-II(+) 16P PLUG DBL



TE Part # 368121-1
CLIP HSG FOR 070(EJ MK-II 16P)




TE Part # 1-936049-1
COVER HSG FOR E-J PLUG 16P

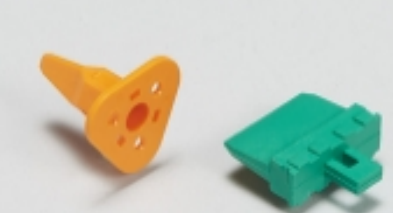


TE Part # 3-368050-1
E-J MK-2(+) 16P CAP HSG

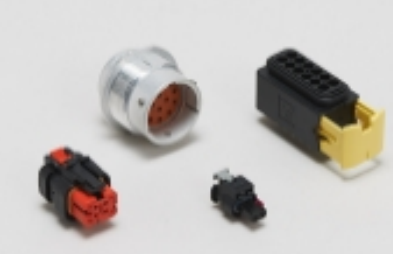
Also in the Series | Econoseal J - Mark II




Automotive Connector Caps & Covers (1)



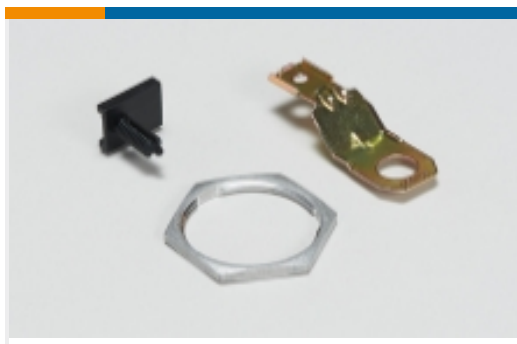
Automotive Connector Locks & Position Assurance(2)



Automotive Housings(25)

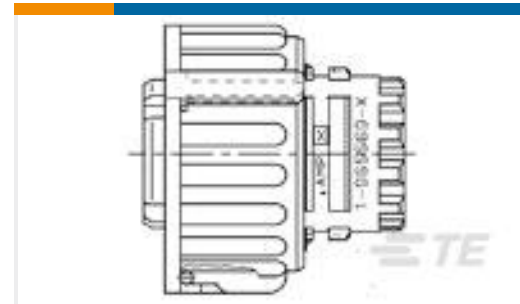
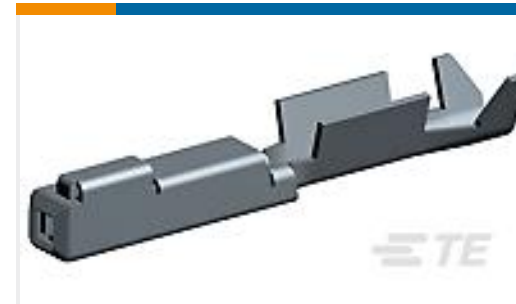
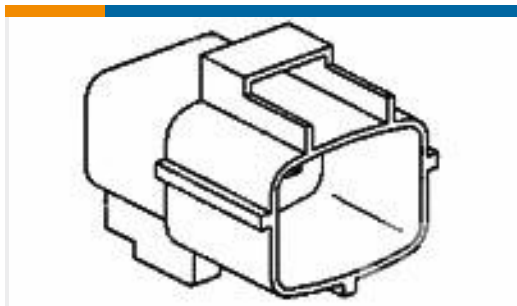
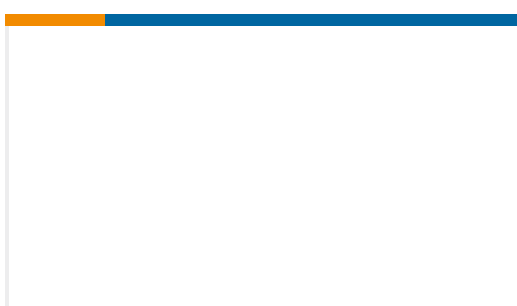


Connector Seals & Cavity Plugs(5)



Other Automotive Connector Accessories(4)

Customers Also Bought

TE Part #2050046-1
2POS 2.8MM SENSOR PLUG ASSY.TE Part #1-1813099-1
2.5mm SOCKET HSG ASSEMBLY
(BLACK 4 POS)TE Part #1318329-1
.025 SEALED REC CONTTE Part #2-368050-3
E-J MK-2(+) 16P CAP HSG(GRAY)TE Part #368301-1
E-S MK-2(+) 15P CAP HSG BLACKTE Part #1393449-1
V23540A1000Y452=VERSCHL.26P.TE Part #2109517-1
025/060/110 HYB 25P CAP ASSYTE Part #1813018-5
MINI FUSE RECEPTACLETE Part #1952079-3
HEADER MINIFUSE 6P ASSY,Green,FRTE Part #9-1203514-6
COVER FOR 3P FUSE & RELAY ADPT

Documents

Product Drawings

[E-S MK-2\(+\) 16P PLUG ASSY](#)

English

CAD Files

[Customer View Model](#)

[ENG_CVM_368047-1_C.3d_igs.zip](#)

English

[Customer View Model](#)



[ENG_CVM_368047-1_C.3d_stp.zip](#)

English

Customer View Model

[ENG_CVM_368047-1_C.2d_dxf.zip](#)

English

3D PDF

English

By downloading the CAD file I accept and agree to the [Terms and Conditions](#) of use.

Datasheets & Catalog Pages

Econoseal Connector Series

English

Product Specifications

AMP-ECONOSEAL-J MARK II+ CONNECTOR

English

Product Specification

English