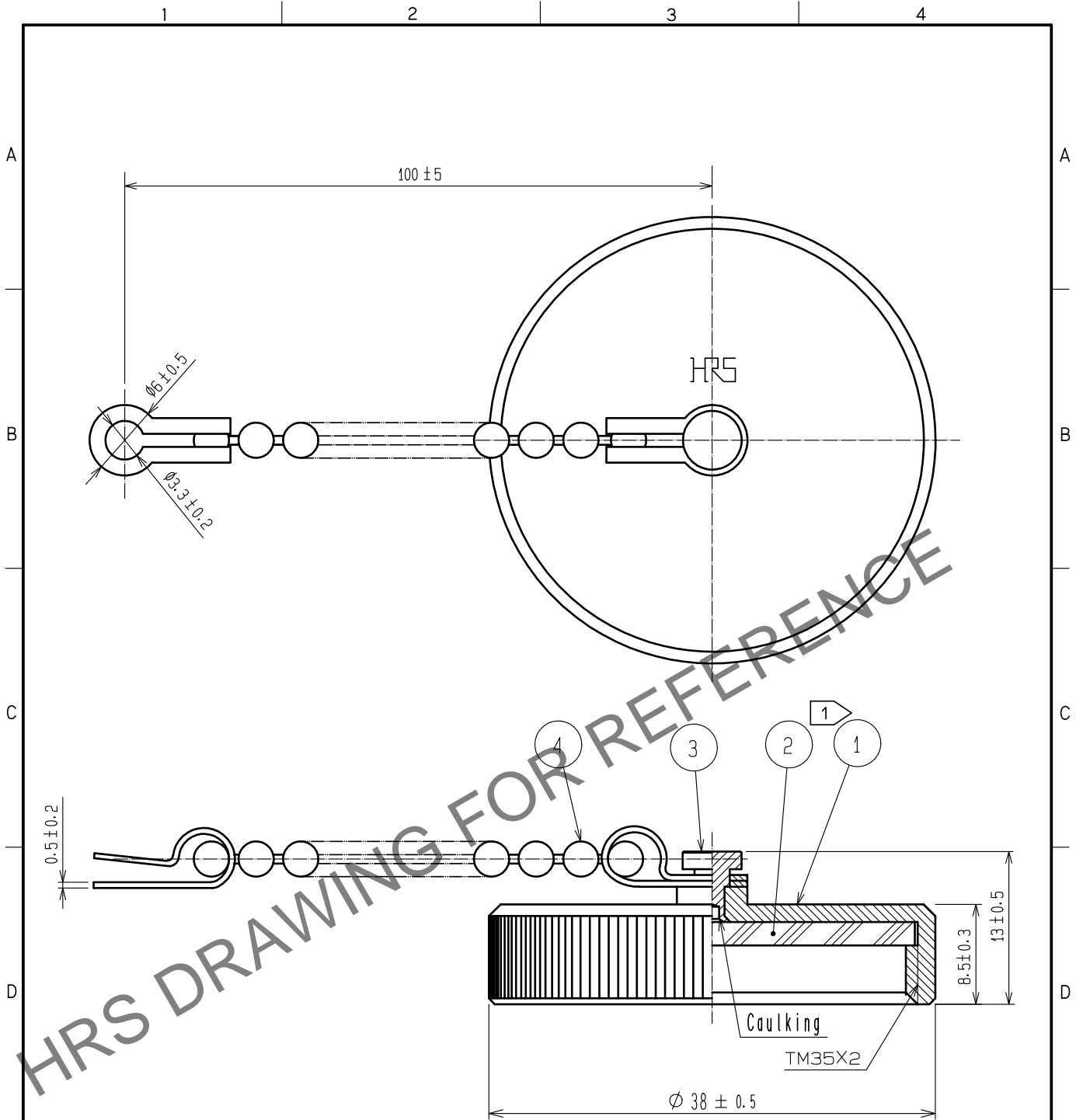


Jun.1.2024 Copyright 2024 HIROSE ELECTRIC CO., LTD. All Rights Reserved.
 In case of consideration for using Automotive equipment / device which demand high reliability, kindly contact our sales window correspondents.



Notes ①: The recommended tightening of ref. ① to be 2N·m.
 2. This product is a cap for RM31TR+*(*) , RM31WTR+*(*) . It is applicable regardless of given alphabets or numbers shown at *.

NO.	MATERIAL	FINISH . REMARKS	NO.	MATERIAL	FINISH . REMARKS
2	Chloroprene rubber	(Black)	4	Brass ①	Nickel plating
1	Brass ①	Nickel plating	3	Brass ①	Nickel plating

UNITS	SCALE	COUNT	DESCRIPTION OF REVISIONS	DESIGNED	CHECKED	DATE
mm	2 : 1	3	DIS-C-00007408	TY. SUZUKI	HY. KOBAYASHI	20210802

HRS HIROSE ELECTRIC CO., LTD.	APPROVED	·HY. KOBAYASHI	20180222	DRAWING NO.	EDC-003165-31-00
	CHECKED	·HY. KOBAYASHI	20180222	PART NO.	RM31TR-C(31)
	DESIGNED	·HY. KISHI	20180221	CODE NO.	CL0109-0394-3-31
	DRAWN	·MK. INOUE	20180206		