

A

B

C

D

E

1

1

2

2

3

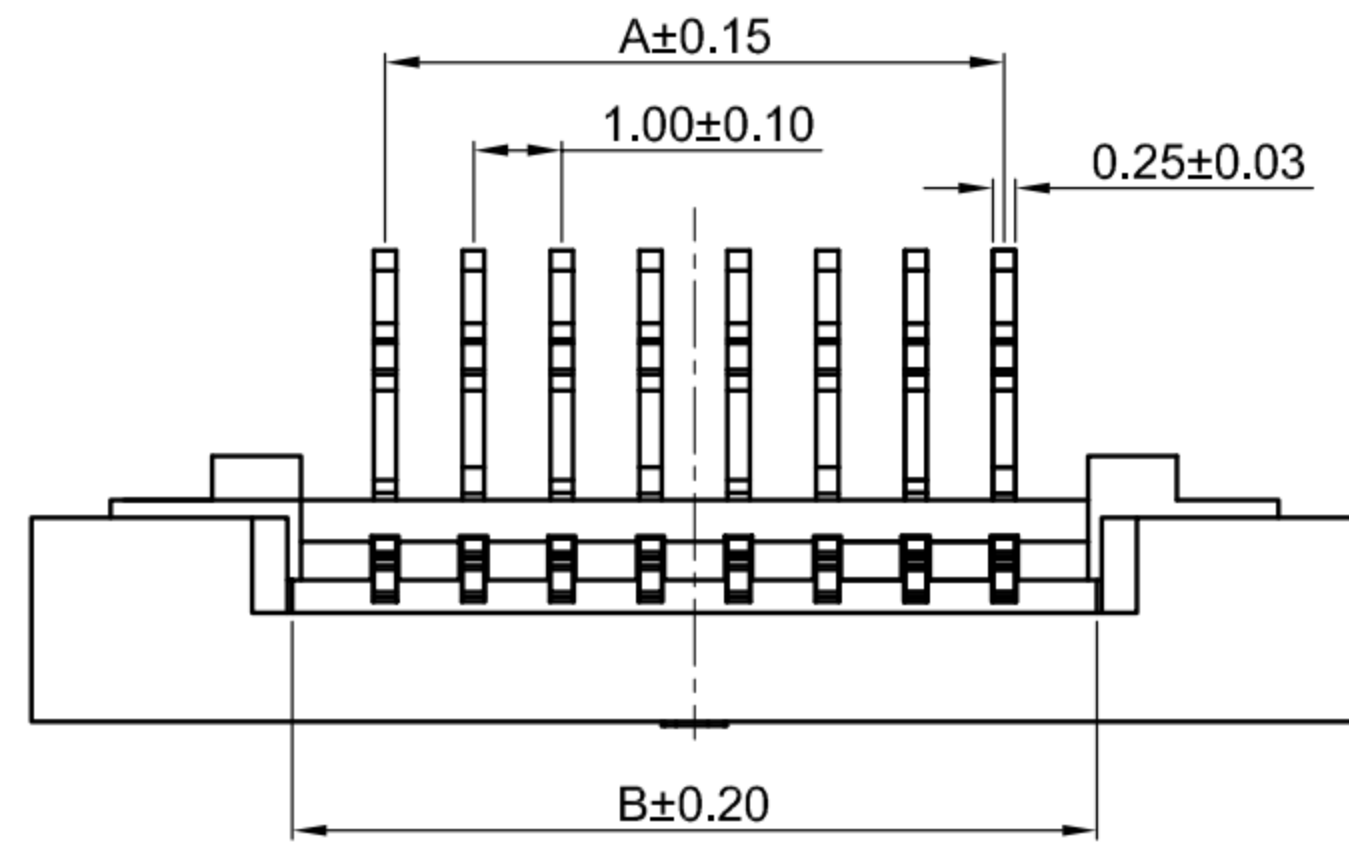
3

4

4

5

5



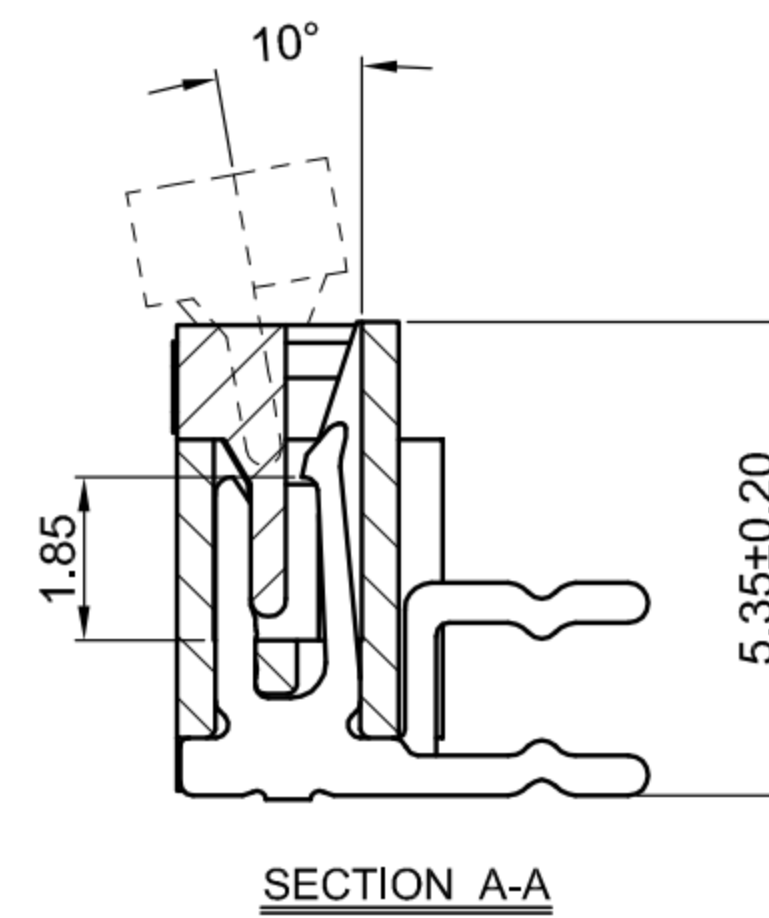
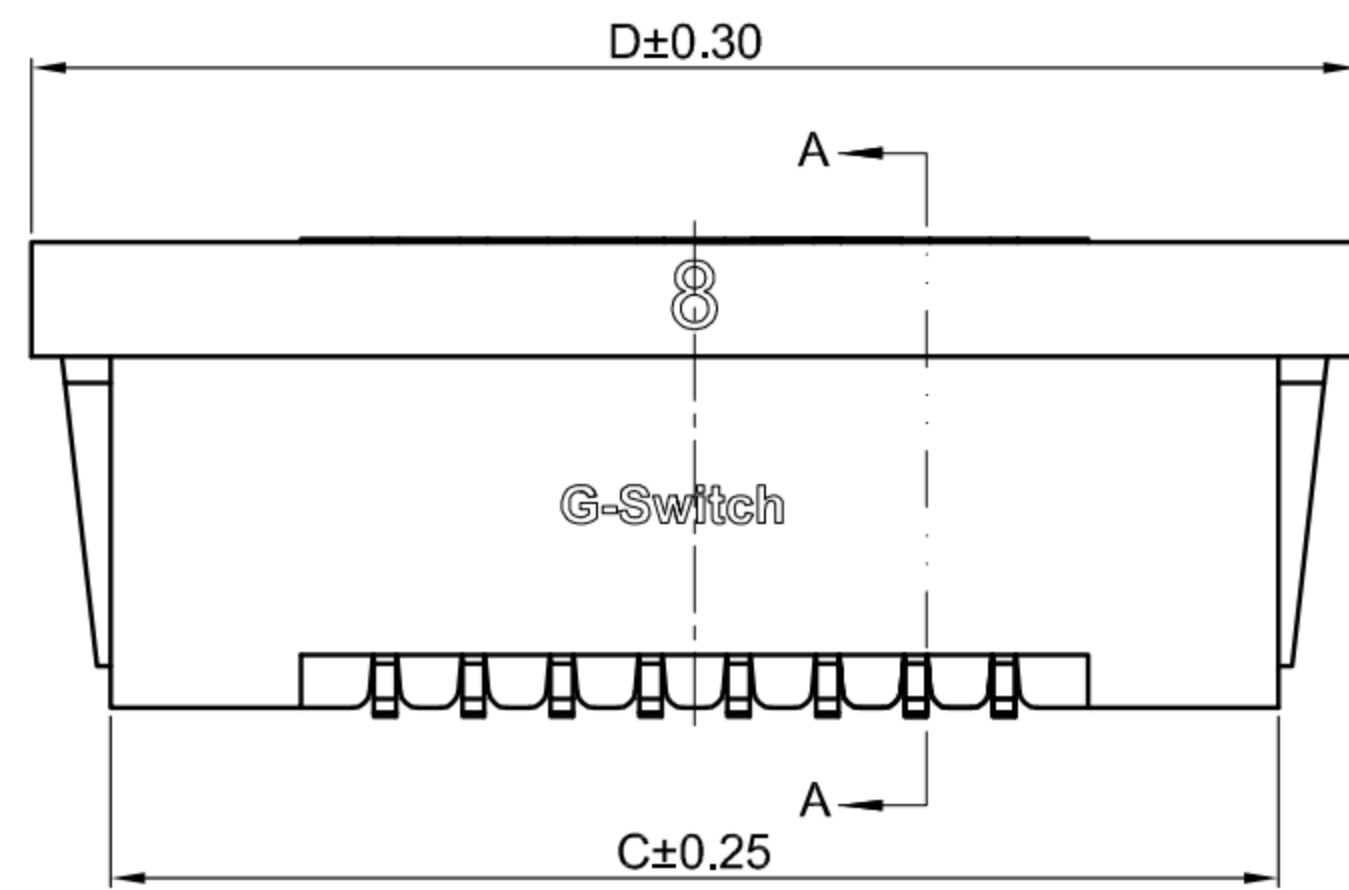
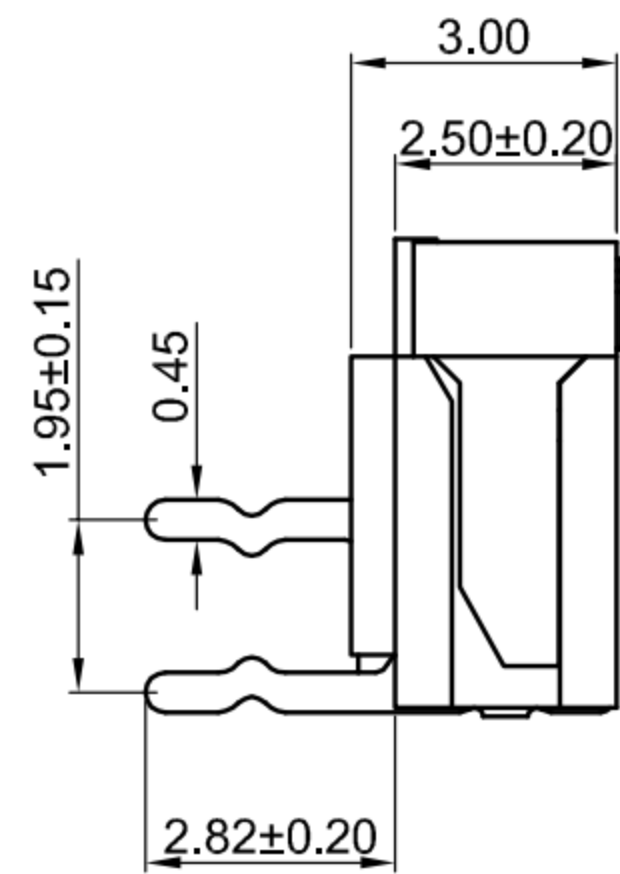
**G-Switch Specification:**

- 1.Current rated: 0.5A AC/DC
- 2.Voltage rating: 50V AC/DC
- 3.Withstanding voltage: 200V AC
- 4.Contact resistance: 20mΩ max.
- 5.Insulation resistance: 500MΩ min
- 6.Durability cycle: 20Cycles
- 7.Removal force: 0.05kgf/Pin min
- 8.Operating temperature range: -25°C ~ +85°C



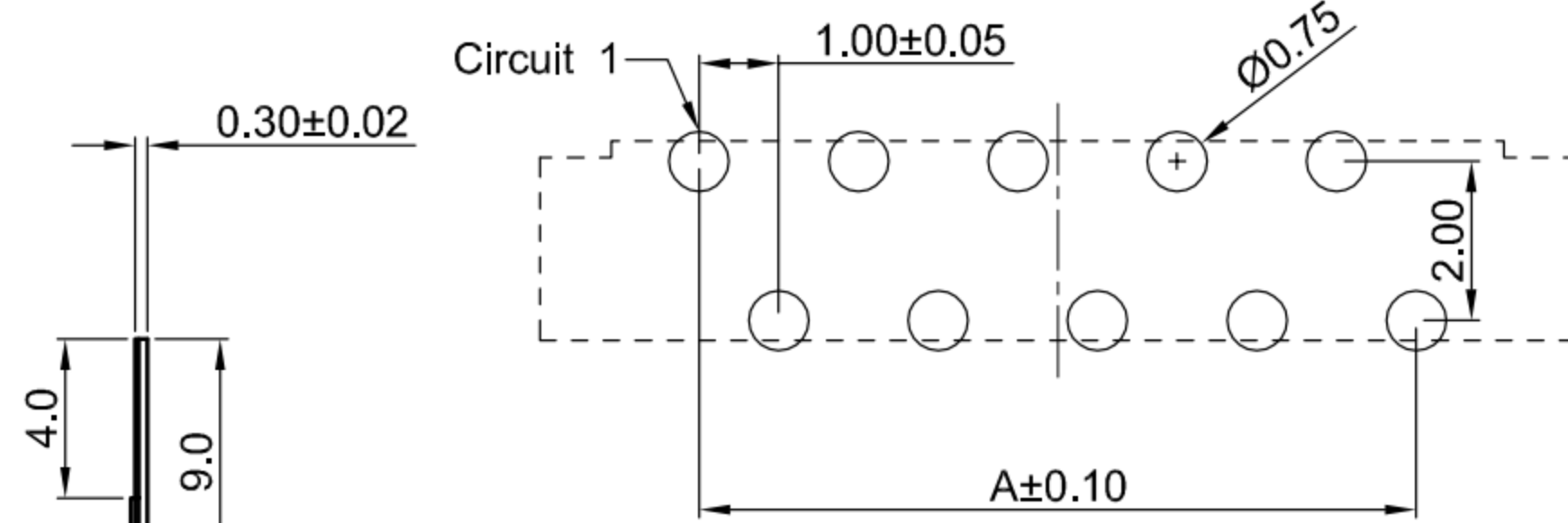
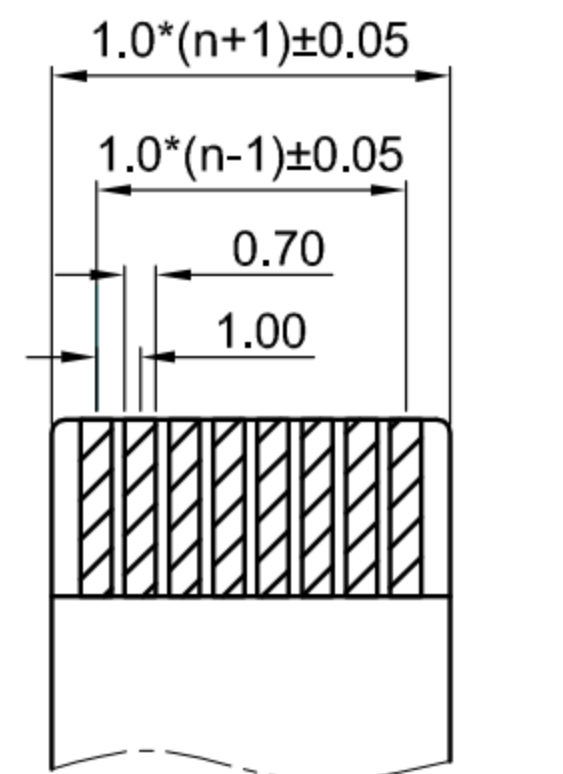
**GT-F1001 D R 25 -XX X XX 02**

- G-Switch**
- Series No**
- Termipoint**  
D-DIP
- Angle**  
R-90°
- Terminal Plating**  
BT-Bright Tin
- Housing Colour**  
S-Nature
- Pin Q' PY**  
06~30
- Height**  
25-2.50mm

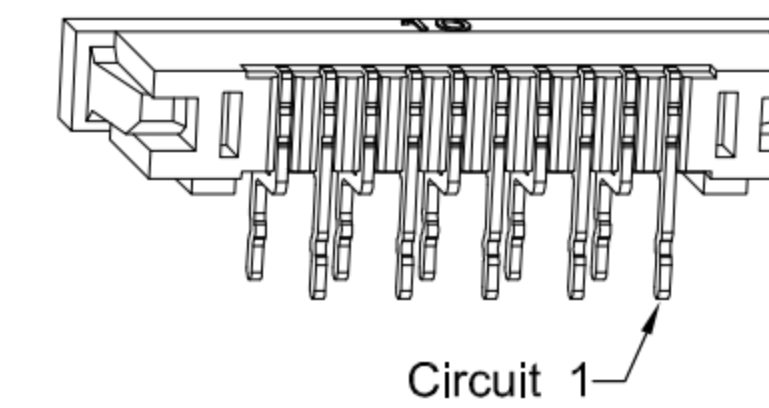


**Ordering Information:**

Circuit	Dimensions(mm)			
	A	B	C	D
06	5.00	7.15	11.20	13.10
08	7.00	9.15	13.20	15.10
09	8.00	10.15	14.20	16.10
14	13.00	15.15	19.20	21.10
15	14.00	16.15	20.20	22.10
16	15.00	17.15	21.20	23.10
17	16.00	18.15	22.20	24.10
18	17.00	19.15	23.20	25.10
20	19.00	21.15	25.20	27.10
22	21.00	23.15	27.20	29.10
24	23.00	25.15	29.20	31.10
25	24.00	26.15	30.20	32.10
26	25.00	27.15	31.20	33.10
27	26.00	28.15	32.20	34.10
28	27.00	29.15	33.20	35.10
30	29.00	31.15	35.20	37.10



**RECOMMENDED PCB LAYOUT**  
TOLERANCE:±0.05



3	CONTACT	PHOSPHOR BRONZE	BRIGHT Tin
2	COVER	LCP,94V-0	BLACK
1	HOUSING	LCP,94V-0	NATURE
NO.	PART NAME	MATERIAL	REMARK



SCALE: 1:1 UNIT: mm  
 SIZE: A4

Unless otherwise  
 General Tolerance:  
 X ±0.40  
 X.x ±0.30  
 X.xx ±0.20  
 X° ±5°  
 X.x° ±3°

Title: FPC 1.00mm Pitch 90° Right DIP Double Row  
 Single Sided Welding Top Contacts

Molde Code: GT-F1001DR25-XXXXX02

DRAWN	CHECKED	APPROVED	DATE
Jiang	Hu	Chen	2021.06.28



REV: A0 SHEET: 1/1

A

B

C

D

E