

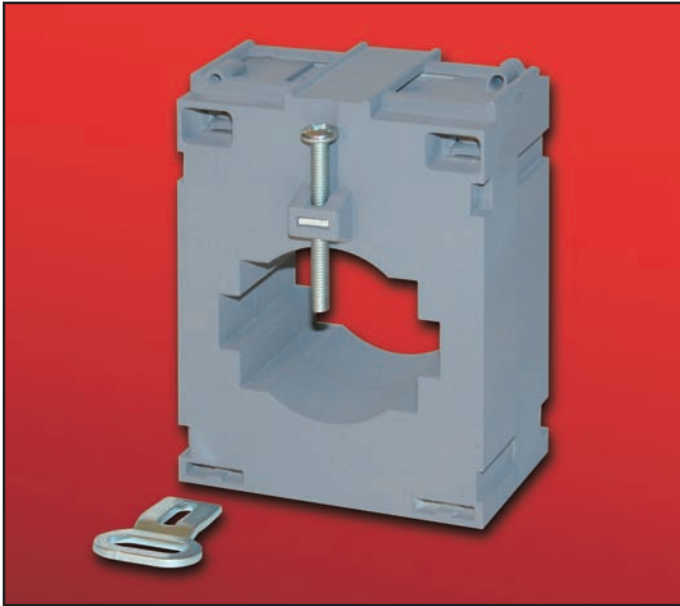
17 SERIES (Type 175) MOULDED CASE CURRENT TRANSFORMERS

DESCRIPTION

A range of compact low cost moulded case current transformers suitable for primary currents from 250A to 1250A with built in sealable terminal covers.

APPLICATION

For transforming various primary currents into 5A or 1A standard secondary using up to 50x10mm or 40x30mm busbars or cables up to 40mm diameter.



FEATURES

- Built in sealable terminal covers.
- Mounting feet supplied.
- Narrow width - 70mm.
- Wide range of primary current

TECHNICAL SPECIFICATION

- Conforms to IEC 185, BS 7626, BSEN 60044-1 and IEC 60044-1.
- Rated system voltage 0.72/3kV.
- Ambient temperature range -30°C to 85°C.
- Continuous current 1.2 x rated current.

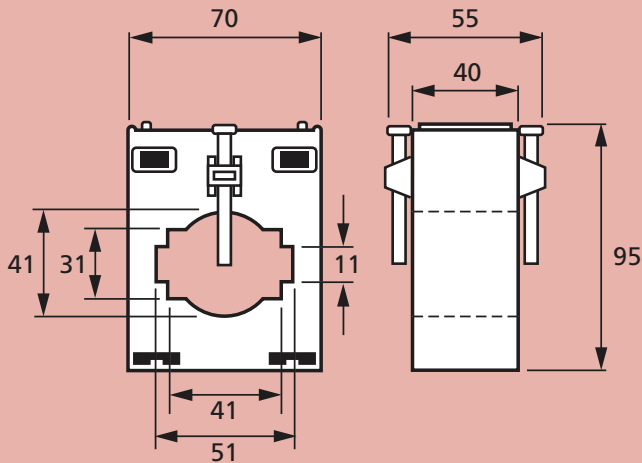
RANGE

VA	Class 3				Class 1				5A Secondary Class 0.5			
	2.5	5	10	15	2.5	5	10	15	2.5	5	10	15
250/5	A1	A2	-	-	A5	A6	-	-	A9	-	-	-
300/5	B1	B2	-	-	B5	B6	-	-	B9	-	-	-
400/5	C1	C2	C3	-	C5	C6	C7	-	C9	C10	-	-
500/5	D1	D2	D3	D4	D5	D6	D7	D8	D9	D10	-	-
600/5	E1	E2	E3	E4	E5	E6	E7	E8	E9	E10	-	-
750/5	F1	F2	F3	F4	F5	F6	F7	F8	F9	F10	F11	-
800/5	G1	G2	G3	G4	G5	G6	G7	G8	G9	G10	G11	-
1000/5	H1	H2	H3	H4	H5	H6	H7	H8	H9	H10	H11	H12
1200/5	J1	J2	J3	J4	J5	J6	J7	J8	J9	J10	J11	J12
1250/5	K1	K2	K3	K4	K5	K6	K7	K8	K9	K10	K11	K12

1A secondary available by request.

Order Example: A 17 series Type 175 moulded case current transformer with 5A secondary and 800A primary 5VA class 1 is part number 175-5-G6

DIMENSIONS (mm)



Busbar 50x10mm
40x30mm

Our policy is one of continuous development and therefore specifications may change without notice.

HOWARD BUTLER LTD

CROWN WORKS, LINCOLN ROAD
WALSALL WS1 2EB ENGLAND

Tel: 01922 640003 Fax: 01922 723626

International Tel: +44 1922 640003 E-mail: sales@hobut.co.uk

http://www.hobut.co.uk