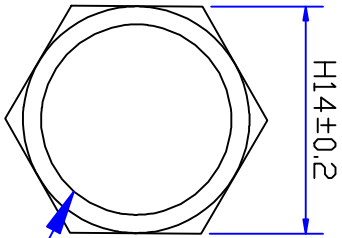
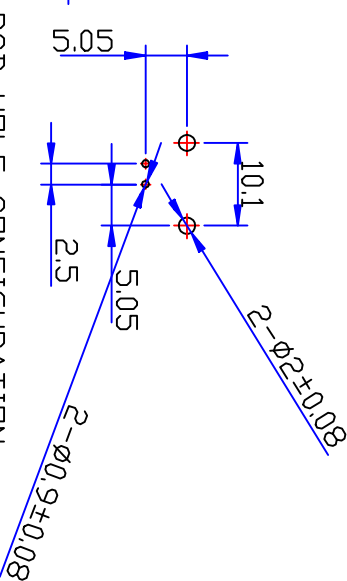
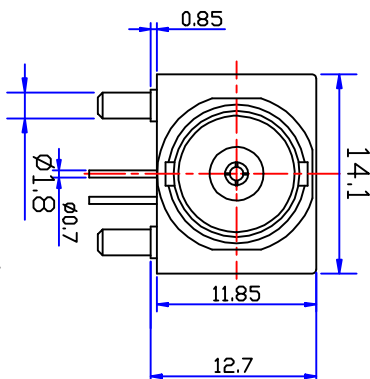
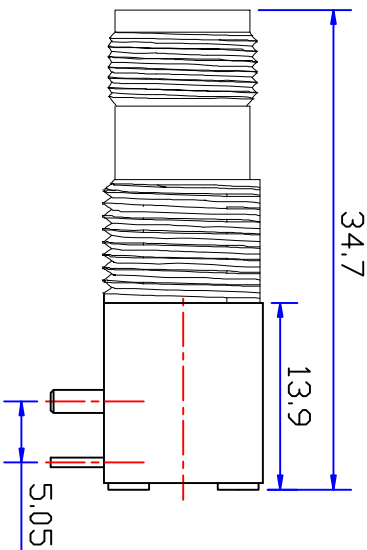
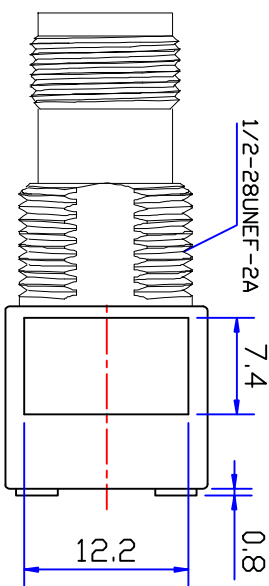
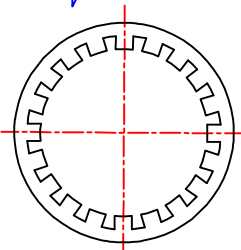
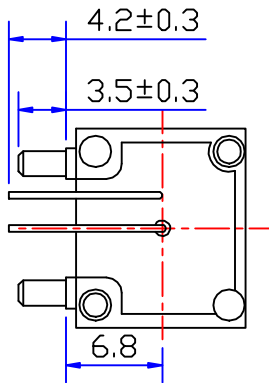


CA7V7777V1200 1200 RDM.SJPG



1/2-28UNEF-2A



SPECIFICATIONS:

Impedance: 50 Ohms
 Frequency Range: DC~6G
 VSWR: 1.3max
 Working Voltage: 500V RMS @ SEA level
 Insulation Resistance: 5000 Ohms min
 Temperature Range: -55°C T0 +155°C
 Drawings products are in line with ROHS standards

Product NO.		DOSIN-802-0046	
REV	DESCRIPTION	DMN	DATE
A	First Issue	Mr. CHEN	2016/07/21
B			
APPROVED		APPROVEN	
		John Kline	

NOTE:

Body	Zinc	NI:80-120u"
Contact pin	Beryllium copper	Gold:1-1.5u"
Insulation	PPM	None
Gasket	TR	NI:80-120u"
NUT	Brass	NI:80-120u"

DRAWN
Zelin. CHEN

CHECKED

APPROVALS

Tolerance	X, X X, X XX	±0.15, ±0.10, ±0.05
View	Angular	±5°
UNIT	MM	

SCALE	1:1
-------	-----

Dosin Industrial (H.K.) Ltd
 东莞市德森五金电子有限公司
 Dosin Hardware Electronics Co., Ltd
 E-mail: dosin2005@163.com
 dosin2005@dosin-hk.com
 Web: http://www.dosin.com
 Tel: (0086) 769-81153906
 Fax: (0086) 769-81878386

Name: TNC R/A PCB JACK CONNECTOR

SIZE A Product NO. DOSIN-802-0046
 Date/Time 2016/07/21
 CAD FILE H/company drawings/3D
 SHEET: 1 OF 1

