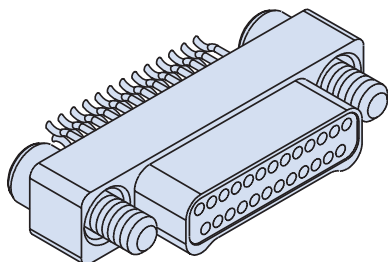




SERIES 89 Dual Row Connectors

Straddle Mount Connectors How to Order



Straddle Mount PCB Connectors feature gold alloy TwistPin contacts, offering premium performance and reliability for demanding applications. Available with female threads, or with jackscrews for use with flexible circuits.

Pre-Tinned PC Tails are coated with Sn63Pb37 or Sn60Pb40 tin-lead for excellent solderability.

Choose Aluminum, Titanium or Stainless Steel Shells in eleven layouts from 9 to 85 contacts. Complies to the requirements of MIL-DTL-32139. These connectors are intermateable with any MIL-DTL-32139 compliant connector or Glenair Series 891 Dual row metal shell nanominiature connector.

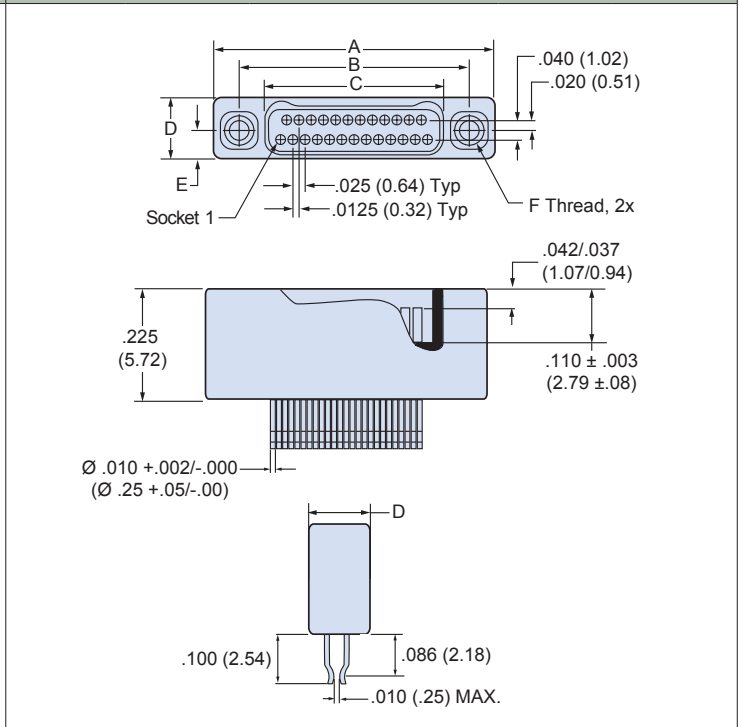
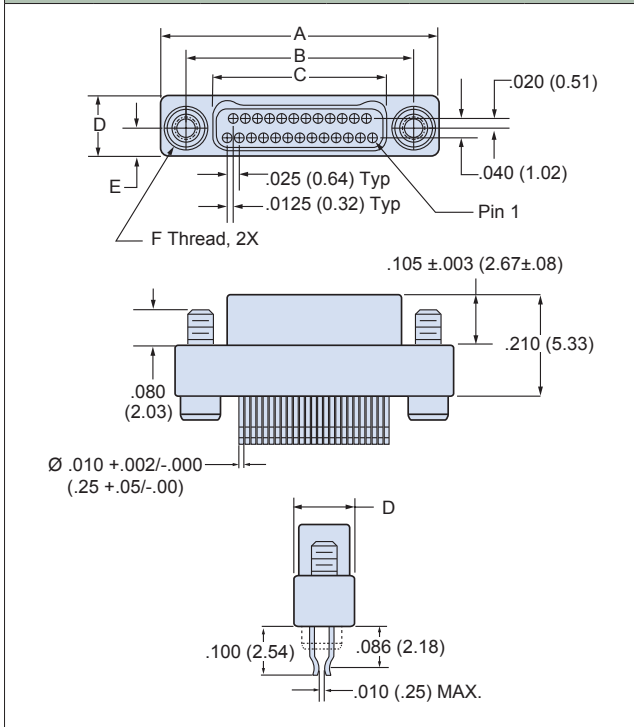
How to Order					
Sample Part Number		891-014	-25P	A2	-STM J
Series	891-014 = Plug 891-015 = Receptacle				
Insert Arrangement/Contact Type	Pins (891-014 Plug): 9P, 15P, 21P, 25P, 31P, 37P, 41P, 51P, 65P, 69P, 85P Sockets (891-015 Receptacle): 9S, 15S, 21S, 25S, 31S, 37S, 41S, 51S, 65S, 69S, 85S				
Shell Material and Finish	A1 = Aluminum Shell, Cadmium Plating A2 = Aluminum Shell, Electroless Nickel Plating		T = Titanium Shell, Unplated S = Stainless Steel Shell, Passivated		
Termination Type	STM = Straddle Mount				
Hardware	J = Jackscrew		T = Female Threads*		
*Female threads are available on plug connectors only if the shell material is titanium or stainless steel.					

Plug (Pin) Connector		Receptacle (Socket) Connector	
J - Jackscrew Option	T - Female Thread Option	J - Jackscrew Option	T - Female Thread Option

NOTES

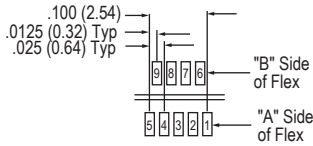
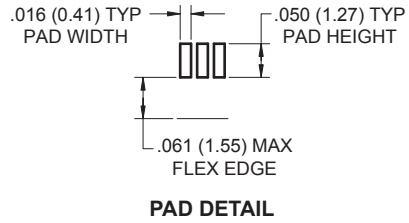
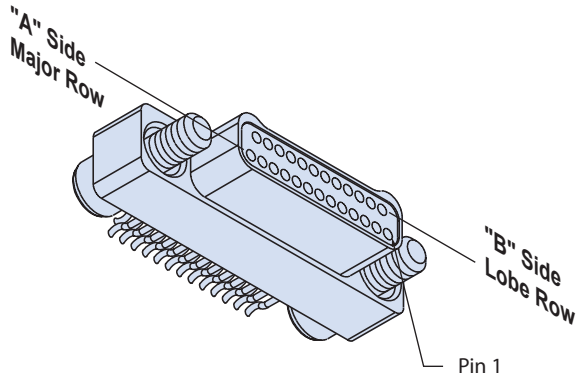
- Material and Finish
 - Shell: see part number break down
 - Insulator: LCP/N/A
 - Contacts: gold alloy / unplated
 - Hardware: passivated stainless steel
- Inspect and Test IAW MIL-DTL-32139
- Interface dimensions per MIL-DTL-32139/3 and /4

Dimensions

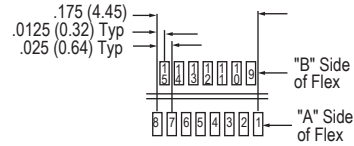


Layout	A		B BSC.		C BSC.		D		E BSC		F Thread
	In. ±.005	mm. ±0.13	In.	mm.	In.	mm.	In. ±.005	mm ±.003	In.	mm	
9P	.375	9.52	.270	6.86	.160	4.06	.125	3.18	.0575	1.46	#0-80 UNF
9S	.375	9.52	.270	6.86	.163	4.14	.125	3.18	.0575	1.46	#0-80 UNF
15P	.450	11.43	.345	8.76	.235	5.97	.125	3.18	.0575	1.46	#0-80 UNF
15S	.450	11.43	.345	8.76	.238	6.04	.125	3.18	.0575	1.46	#0-80 UNF
21P	.525	13.33	.420	10.67	.310	7.87	.125	3.18	.0575	1.46	#0-80 UNF
21S	.525	13.33	.420	10.67	.313	7.95	.125	3.18	.0575	1.46	#0-80 UNF
25P	.575	14.60	.470	11.94	.360	9.14	.125	3.18	.0575	1.46	#0-80 UNF
25S	.575	14.60	.470	11.94	.363	9.22	.125	3.18	.0575	1.46	#0-80 UNF
31P	.650	16.51	.545	13.84	.435	11.05	.125	3.18	.0575	1.46	#0-80 UNF
31S	.650	16.51	.545	13.84	.438	11.12	.125	3.18	.0575	1.46	#0-80 UNF
37P	.725	18.41	.620	15.75	.510	12.95	.125	3.18	.0575	1.46	#0-80 UNF
37S	.725	18.41	.620	15.75	.513	13.03	.125	3.18	.0575	1.46	#0-80 UNF
41P	.775	19.69	.670	17.02	.560	14.23	.125	3.18	.0575	1.46	#0-80 UNF
41S	.775	19.69	.670	17.02	.563	14.30	.125	3.18	.0575	1.46	#0-80 UNF
51P	.900	22.86	.795	20.19	.685	17.40	.125	3.18	.0575	1.46	#0-80 UNF
51S	.900	22.86	.795	20.19	.688	17.47	.125	3.18	.0575	1.46	#0-80 UNF
65P	1.075	27.30	.970	24.64	.860	21.84	.125	3.18	.0575	1.46	#0-80 UNF
65S	1.075	27.30	.970	24.64	.863	21.92	.125	3.18	.0575	1.46	#0-80 UNF
69P	1.125	28.57	1.020	25.91	.910	23.11	.125	3.18	.0575	1.46	#0-80 UNF
69S	1.125	28.57	1.020	25.91	.913	23.19	.125	3.18	.0575	1.46	#0-80 UNF
85P	1.377	34.97	1.246	31.65	1.110	28.19	.150	3.81	.0700	1.78	#2-56 UNC
85S	1.377	34.97	1.246	31.65	1.113	28.27	.150	3.81	.0700	1.78	#2-56 UNC

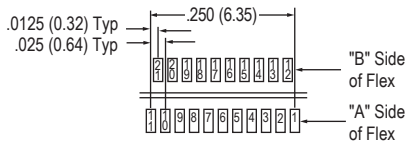




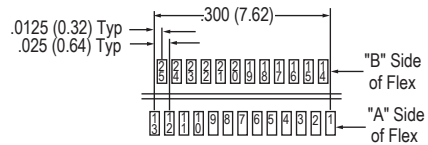
9 Contacts



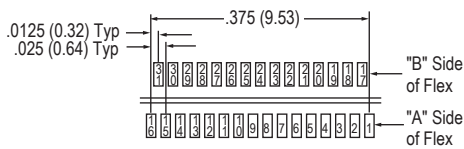
15 Contacts



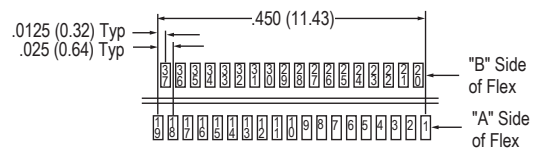
21 Contacts



25 Contacts

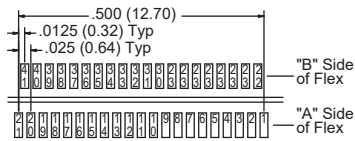
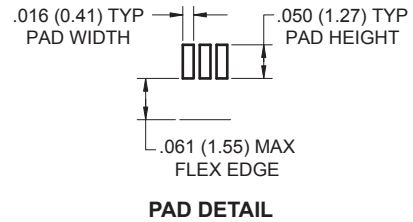
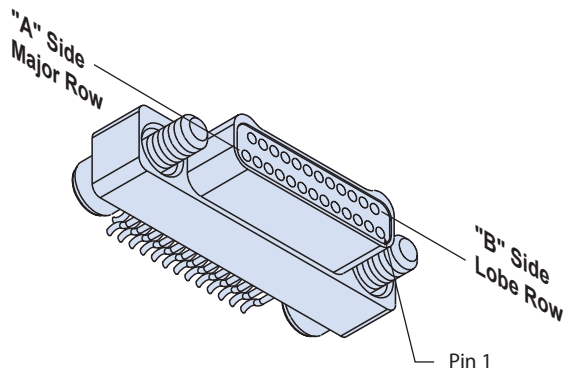


31 Contacts



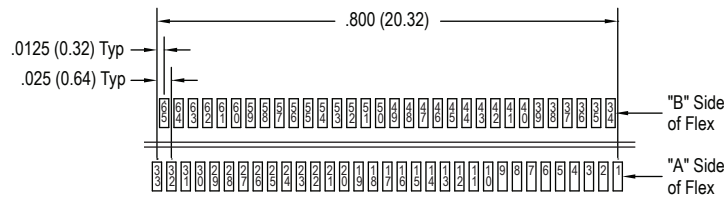
37 Contacts

D

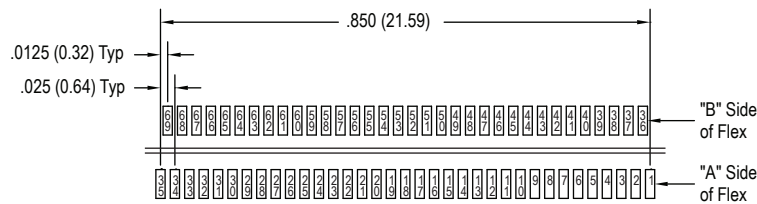


41 Contacts

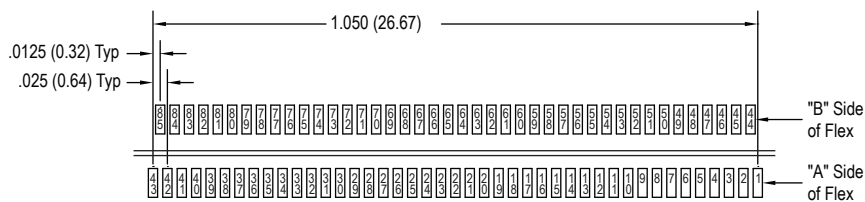
51 Contacts



65 Contacts

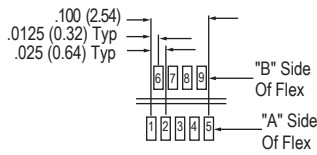
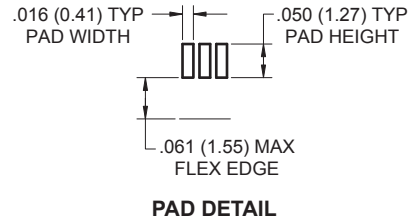
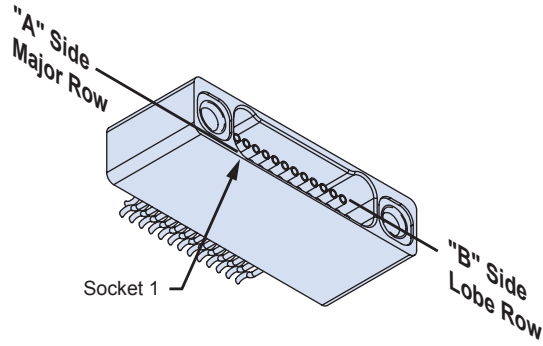


69 Contacts

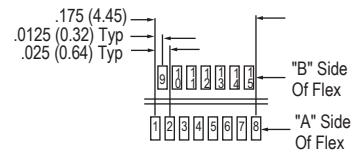


85 Contacts

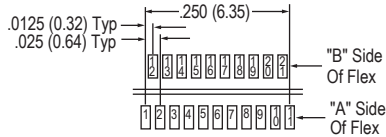




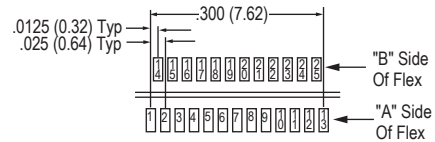
9 Contacts



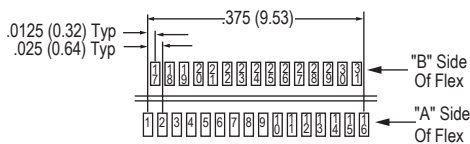
15 Contacts



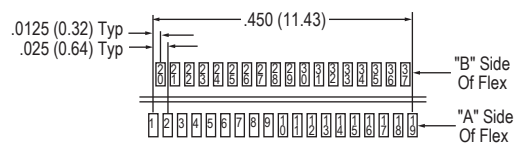
21 Contacts



25 Contacts

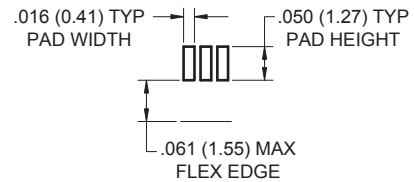
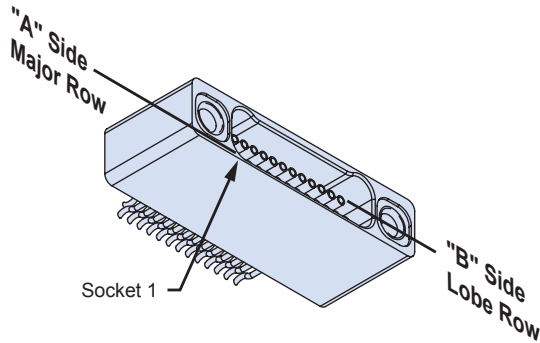


31 Contacts

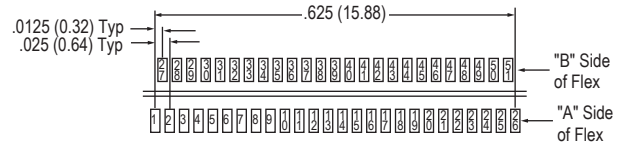
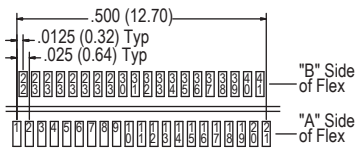


37 Contacts

D

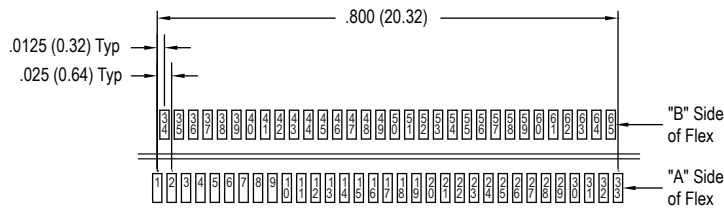


PAD DETAIL

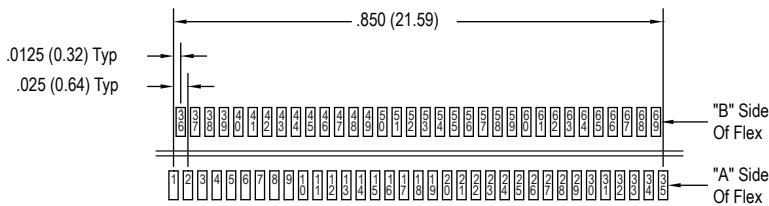


41 Contacts

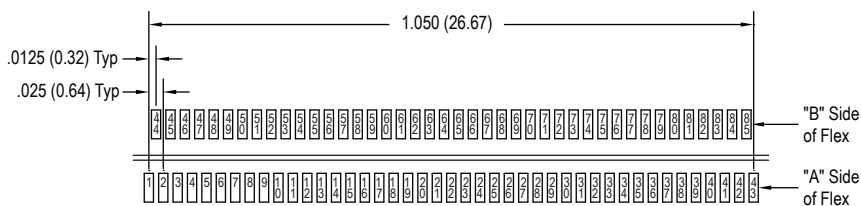
51 Contacts



65 Contacts



69 Contacts



85 Contacts

