

MM54HC257/MM74HC257 Quad 2-Channel TRI-STATE® Multiplexer

General Description

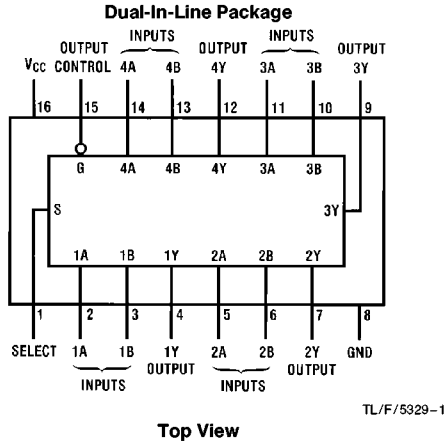
This QUAD 2-TO-1 line data selector/multiplexer utilizes advanced silicon-gate CMOS technology. Along with the high noise immunity and low power dissipation of standard CMOS integrated circuits, it possesses the ability to drive up to 15 LS-TTL loads. The large output drive capability coupled with the TRI-STATE feature make this device ideal for interfacing with bus lines in a bus organized system. When the OUTPUT CONTROL input line is taken high, the outputs of all four multiplexers are sent into a high impedance state. When the OUTPUT CONTROL line is low, the SELECT input chooses whether the A or B input is used.

The 54HC/74HC logic family is speed, function, and pin-out compatible with the standard 54LS/74LS logic family. All inputs are protected from damage due to static discharge by internal diode clamps to V_{CC} and ground.

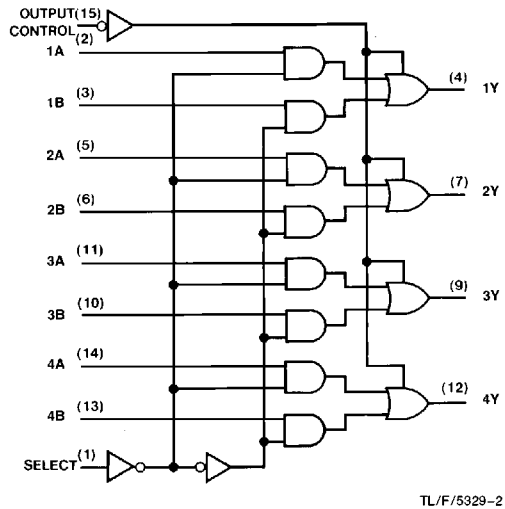
Features

- Typical propagation delay: 12 ns
- Wide power supply range: 2V–6V
- Low quiescent current: 80 μ A maximum (74HC Series)
- TRI-STATE outputs for connection to system buses.

Connection and Logic Diagrams



Order Number MM54HC257 or MM74HC257



Truth Table

Output Control	Inputs		Output Y
	Select	A	
H	X	X	X
L	L	L	L
L	L	H	H
L	H	X	L
L	H	X	H

H = high level, L = low level, X = irrelevant, Z = high impedance, (off)

TRI-STATE® is a registered trademark of National Semiconductor Corp.

Absolute Maximum Ratings (Notes 1 & 2)

If Military/Aerospace specified devices are required, please contact the National Semiconductor Sales Office/Distributors for availability and specifications.

Supply Voltage (V_{CC})	-0.5 to +7.0V
DC Input Voltage (V_{IN})	-1.5 to V_{CC} + 1.5V
DC Output Voltage (V_{OUT})	-0.5 to V_{CC} + 0.5V
Clamp Diode Current (I_{IK}, I_{OK})	±20 mA
DC Output Current, per pin (I_{OUT})	±35 mA
DC V_{CC} or GND Current, per pin (I_{CC})	±70 mA
Storage Temperature Range (T_{STG})	-65°C to +150°C
Power Dissipation (P_D)	
(Note 3)	600 mW
S.O. Package only	500 mW
Lead Temp. (T_L) (Soldering 10 seconds)	260°C

Operating Conditions

	Min	Max	Units
Supply Voltage (V_{CC})	2	6	V
DC Input or Output Voltage (V_{IN}, V_{OUT})	0	V_{CC}	V
Operating Temp. Range (T_A)			
MM74HC	-40	+85	°C
MM54HC	-55	+125	°C
Input Rise or Fall Times (t_r, t_f)			
$V_{CC}=2.0V$		1000	ns
$V_{CC}=4.5V$		500	ns
$V_{CC}=6.0V$		400	ns

DC Electrical Characteristics (Note 4)

Symbol	Parameter	Conditions	V_{CC}	$T_A = 25^\circ C$		74HC $T_A = -40$ to $85^\circ C$		54HC $T_A = -55$ to $125^\circ C$		Units	
				Typ	Guaranteed Limits						
V_{IH}	Minimum High Level Input Voltage		2.0V		1.5	1.5	1.5	1.5	V		
			4.5V		3.15	3.15	3.15	3.15	V		
			6.0V		4.2	4.2	4.2	4.2	V		
V_{IL}	Maximum Low Level Input Voltage**		2.0V		0.5	0.5	0.5	0.5	V		
			4.5V		1.35	1.35	1.35	1.35	V		
			6.0V		1.8	1.8	1.8	1.8	V		
V_{OH}	Minimum High Level Output Voltage	$V_{IN} = V_{IH}$ or V_{IL} $ I_{OUT} \leq 20 \mu A$	2.0V	2.0	1.9	1.9	1.9	1.9	V		
			4.5V	4.5	4.4	4.4	4.4	4.4	V		
			6.0V	6.0	5.9	5.9	5.9	5.9	V		
		$V_{IN} = V_{IH}$ or V_{IL} $ I_{OUT} \leq 6.0$ mA $ I_{OUT} \leq 7.8$ mA	4.5V	4.2	3.98	3.84	3.7	3.7	V		
			6.0V	5.7	5.48	5.34	5.2	5.2	V		
V_{OL}	Maximum Low Level Output Voltage	$V_{IN} = V_{IH}$ or V_{IL} $ I_{OUT} \leq 20 \mu A$	2.0V	0	0.1	0.1	0.1	0.1	V		
			4.5V	0	0.1	0.1	0.1	0.1	V		
			6.0V	0	0.1	0.1	0.1	0.1	V		
		$V_{IN} = V_{IH}$ or V_{IL} $ I_{OUT} \leq 6.0$ mA $ I_{OUT} \leq 7.8$ mA	4.5V	0.2	0.26	0.33	0.4	0.4	V		
			6.0V	0.2	0.26	0.33	0.4	0.4	V		
I_{IN}	Maximum Input Current	$V_{IN} = V_{CC}$ or GND	6.0V		±0.1	±1.0	±1.0	μA			
I_{OZ}	Maximum TRI-STATE Output Leakage	$V_{OUT} = V_{CC}$ or GND $OC = V_{IH}$	6.0V		±0.5	±5.0	±10	μA			
I_{CC}	Maximum Quiescent Supply Current	$V_{IN} = V_{CC}$ or GND $I_{OUT} = 0 \mu A$	6.0V		8.0	80	160	μA			

Note 1: Absolute Maximum Ratings are those values beyond which damage to the device may occur.

Note 2: Unless otherwise specified all voltages are referenced to ground.

Note 3: Power Dissipation temperature derating — plastic "N" package: -12 mW/°C from 65°C to 85°C; ceramic "J" package: -12 mW/°C from 100°C to 125°C.

Note 4: For a power supply of 5V ±10% the worst case output voltages (V_{OH} and V_{OL}) occur for HC at 4.5V. Thus the 4.5V values should be used when designing with this supply. Worst case V_{IH} and V_{IL} occur at $V_{CC} = 5.5V$ and 4.5V respectively. (The V_{IH} value at 5.5V is 3.85V.) The worst case leakage current (I_{IN} , I_{OZ} , and I_{CC}) occur for CMOS at the higher voltage and so the 6.0V values should be used.

** V_{IL} limits are currently tested at 20% of V_{CC} . The above V_{IL} specification (30% of V_{CC}) will be implemented no later than Q1, CY'89.

AC Electrical Characteristics $V_{CC}=5V, T_A=25^{\circ}C, t_r=t_f=6\text{ ns}$

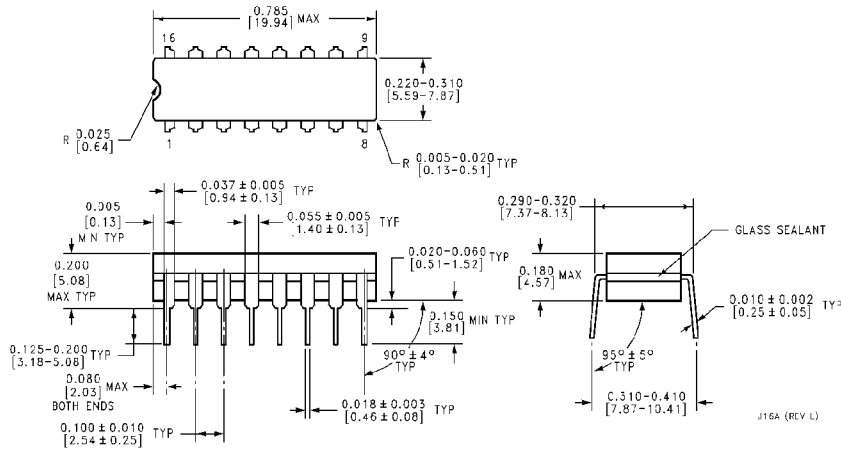
Symbol	Parameter	Conditions	Typ	Guaranteed Limit	Units
t_{PHL}, t_{PLH}	Maximum Propagation Delay, Select to any Y Output	$C_L=45\text{ pF}$	12	18	ns
t_{PHL}, t_{PLH}	Maximum Propagation Delay, A or B to any Y Output	$C_L=50\text{ pF}$	13	21	ns
t_{PZH}, t_{PZL}	Maximum Output Enable Time, any Y Output to a Logic Level	$R_L=1\text{ k}\Omega$ $C_L=45\text{ pF}$	17	28	ns
t_{PHZ}, t_{PLZ}	Maximum Output Disable Time, any Y Output to a High Impedance State	$R_L=1\text{ k}\Omega$ $C_L=5\text{ pF}$	15	25	ns

AC Electrical Characteristics $V_{CC}=2.0V\text{ to }6.0V, C_L=50\text{ pF}, t_r=t_f=6\text{ ns}$ (unless otherwise specified)

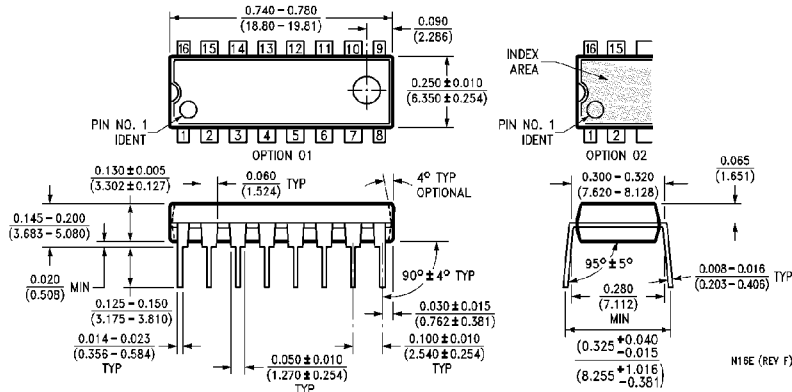
Symbol	Parameter	Conditions	V_{CC}	$T_A=25^{\circ}C$		74HC	54HC	Units
						$T_A=-40\text{ to }85^{\circ}C$	$T_A=-55\text{ to }125^{\circ}C$	
				Typ	Guaranteed Limits			
t_{PHL}, t_{PLH}	Maximum Propagation Delay, Select to any Y Output	$C_L=50\text{ pF}$	2.0V	50	100	125	150	ns
			2.0V	70	150	189	224	ns
		$C_L=150\text{ pF}$	4.5V	10	20	25	30	ns
			4.5V	15	30	38	45	ns
t_{PHL}, t_{PLH}	Maximum Propagation Delay, A or B to any Y Output	$C_L=50\text{ pF}$	6.0V	9	17	21	25	ns
			6.0V	13	26	32	38	ns
		$C_L=150\text{ pF}$	4.5V	10	20	29	30	ns
			4.5V	15	30	38	45	ns
t_{PZH}, t_{PZL}	Maximum Output Enable Time, any Y Output to a Logic Level	$R_L=1\text{ k}\Omega$	2.0V	75	150	189	224	ns
			2.0V	100	200	252	298	ns
		$C_L=50\text{ pF}$	4.5V	15	30	38	45	ns
			4.5V	20	40	50	60	ns
t_{PHZ}, t_{PLZ}	Maximum Output Disable Time, any Y Output to a High Impedance State	$R_L=1\text{ k}\Omega$	6.0V	13	26	32	38	ns
			6.0V	17	34	43	51	ns
		$C_L=50\text{ pF}$	2.0V	75	150	189	224	ns
			4.5V	15	30	38	45	ns
t_{THL}, t_{TLH}	Maximum Output Rise and Fall Time	$C_L=50\text{ pF}$	6.0V	13	26	32	38	ns
			4.5V	12	15	15	18	ns
			6.0V	10	10	13	15	ns
C_{PD}	Power Dissipation Capacitance (Note 5)	(per mux) Enable Disabled		30 8				pF pF
C_{IN}	Maximum Input Capacitance			5	10	10	10	pF
C_{OUT}	Maximum Output Capacitance			10	20	20	20	pF

Note 5: C_{PD} determines the no load dynamic power consumption, $P_D=C_{PD}V_{CC}^2 f+I_{CC}V_{CC}$, and the no load dynamic current consumption, $I_S=C_{PD}V_{CC} f+I_{CC}$.

Physical Dimensions inches (millimeters)



Order Number MM54HC257J or MM74HC257J
NS Package J16A



Order Number MM74HC257N
NS Package N16E

LIFE SUPPORT POLICY

NATIONAL'S PRODUCTS ARE NOT AUTHORIZED FOR USE AS CRITICAL COMPONENTS IN LIFE SUPPORT DEVICES OR SYSTEMS WITHOUT THE EXPRESS WRITTEN APPROVAL OF THE PRESIDENT OF NATIONAL SEMICONDUCTOR CORPORATION. As used herein:

1. Life support devices or systems are devices or systems which, (a) are intended for surgical implant into the body, or (b) support or sustain life, and whose failure to perform, when properly used in accordance with instructions for use provided in the labeling, can be reasonably expected to result in a significant injury to the user.
2. A critical component is any component of a life support device or system whose failure to perform can be reasonably expected to cause the failure of the life support device or system, or to affect its safety or effectiveness.



National Semiconductor Corporation
1111 West Bardin Road
Arlington, TX 76017
Tel: 1(800) 272-9959
Fax: 1(800) 737-7018

National Semiconductor Europe
Fax: (+49) 0-180-530 85 86
Email: onjwgs@tevm2.nsc.com
Deutsch Tel: (+49) 0-180-530 85 85
English Tel: (+49) 0-180-532 78 32
Français Tel: (+49) 0-180-532 93 58
Italiano Tel: (+49) 0-180-534 16 80

National Semiconductor Hong Kong Ltd.
13th Floor, Straight Block,
Ocean Centre, 5 Canton Rd.
Tsimshatsui, Kowloon
Hong Kong
Tel: (852) 2737-1600
Fax: (852) 2736-9960

National Semiconductor Japan Ltd.
Tel: 81-043-299-2309
Fax: 81-043-299-2408

National does not assume any responsibility for use of any circuitry described, no circuit patent licenses are implied and National reserves the right at any time without notice to change said circuitry and specifications.