

VS-09-PROFIBUS-SC - D-SUB connector



1654549

<https://www.phoenixcontact.com/us/products/1654549>

Please be informed that the data shown in this PDF document is generated from our online catalog. Please find the complete data in the user documentation. Our general terms of use for downloads are valid.

D-SUB connector, degree of protection: IP67, number of positions: 9, material: Plastic, connection method: Screw connection, connection cross section: AWG 26- 16, cable outlet: angled, with integrated termination resistor, housing size: 1, color: gray, PROFIBUS



Your advantages

- EMC protection
- Switchable termination resistor
- Coding sections (CR) as protection against mismatching

Commercial data

Item number	1654549
Packing unit	1 pc
Minimum order quantity	1 pc
Sales key	AB19
Product key	ABNCBA
Catalog page	Page 444 (C-2-2019)
GTIN	4017918955083
Weight per piece (including packing)	93 g
Weight per piece (excluding packing)	93 g
Customs tariff number	85366990
Country of origin	DE

Technical data

Notes

Safety note

Safety note

WARNING: The connectors may not be plugged in or disconnected under load. Ignoring the warning or improper use may damage persons and/or property.

- WARNING: Commission properly functioning products only. The products must be regularly inspected for damage. Decommission defective products immediately. Replace damaged products. Repairs are not possible.

- WARNING: Only electrically qualified personnel may install and operate the product. They must observe the following safety notes. The qualified personnel must be familiar with the basics of electrical engineering. They must be able to recognize and prevent danger. The relevant symbol on the packaging indicates that only personnel familiar with electrical engineering are allowed to install and operate the product.

- The products are suitable for applications in plant, controller, and electrical device engineering.

- When operating the connectors in outdoor applications, they must be separately protected against environmental influences.

- Assembled products may not be manipulated or improperly opened.

- Only use mating connectors that are specified in the technical data of the standards listed (e.g. the ones listed in the product accessories online at [phoenixcontact.com/products](https://www.phoenixcontact.com/products)).

- When using the product in direct connection with third-party manufacturers, the user is responsible.

- For operating voltages > 50 V AC, conductive connector housings must be grounded

- Only use tools recommended by Phoenix Contact

- The installation notes/Design In documents online on the download page at [phoenixcontact.com/products](https://www.phoenixcontact.com/products) must be observed for this product.

- Use a protective cap to protect connectors that are not in use. The suitable accessories are available online in the accessory section of the product at [phoenixcontact.com/products](https://www.phoenixcontact.com/products)

- Operate the connector only when it is fully plugged in and interlocked.

- Operate the connector only when it is fully plugged in.

- Ensure that when laying the cable, the tensile load on the connectors does not exceed the upper limit specified in the standards.

- Observe the minimum bending radius of the cable. Lay the cable without twisting it.

- VDE 0100/1.97 § 411.1.3.2 and DIN EN 60 204/11.98 § 14.1.3 are applicable when combining several circuits in a cable and/or connector

Product properties

VS-09-PROFIBUS-SC - D-SUB connector



1654549

<https://www.phoenixcontact.com/us/products/1654549>

Product type	Data connector (cable side)
Application	PROFIBUS
Type	D-SUB
Sensor type	PROFIBUS
Number of positions	9
No. of cable outlets	2
Type	Male
Shielded	yes
Cable outlet	angled

Data management status

Article revision	07
------------------	----

Insulation characteristics

Overvoltage category	II
Degree of pollution	2

Electrical properties

Rated voltage (III/3)	50 V
Rated surge voltage	0.5 kV
Rated current	1 A
Transmission medium	Copper

Connection data

Connection technology

Connection method	Screw connection
Connection cross section AWG	26 ... 16 (solid) 26 ... 18 (flexible)
Conductor cross section	0.14 mm ² ... 1.5 mm ² (solid) 0.14 mm ² ... 1 mm ² (flexible)

Dimensions

Width	24 mm
Height	59 mm
Length	107 mm

Material specifications

Color	gray
Flammability rating according to UL 94	V0
Housing material	Plastic
Housing surface material	PA, light gray
Cable seal material	CR/NBR

Cable/line

External cable diameter	5 mm ... 9 mm
-------------------------	---------------

VS-09-PROFIBUS-SC - D-SUB connector



1654549

<https://www.phoenixcontact.com/us/products/1654549>

Stripping length of the individual wire	7 mm
Cable cross section	0.2 mm ²

Mechanical properties

Mechanical data

Insertion/withdrawal cycles	≥ 200
-----------------------------	-------

Environmental and real-life conditions

Ambient conditions

Degree of protection	IP67
	IP67
Ambient temperature (operation)	-20 °C ... 75 °C

VS-09-PROFIBUS-SC - D-SUB connector

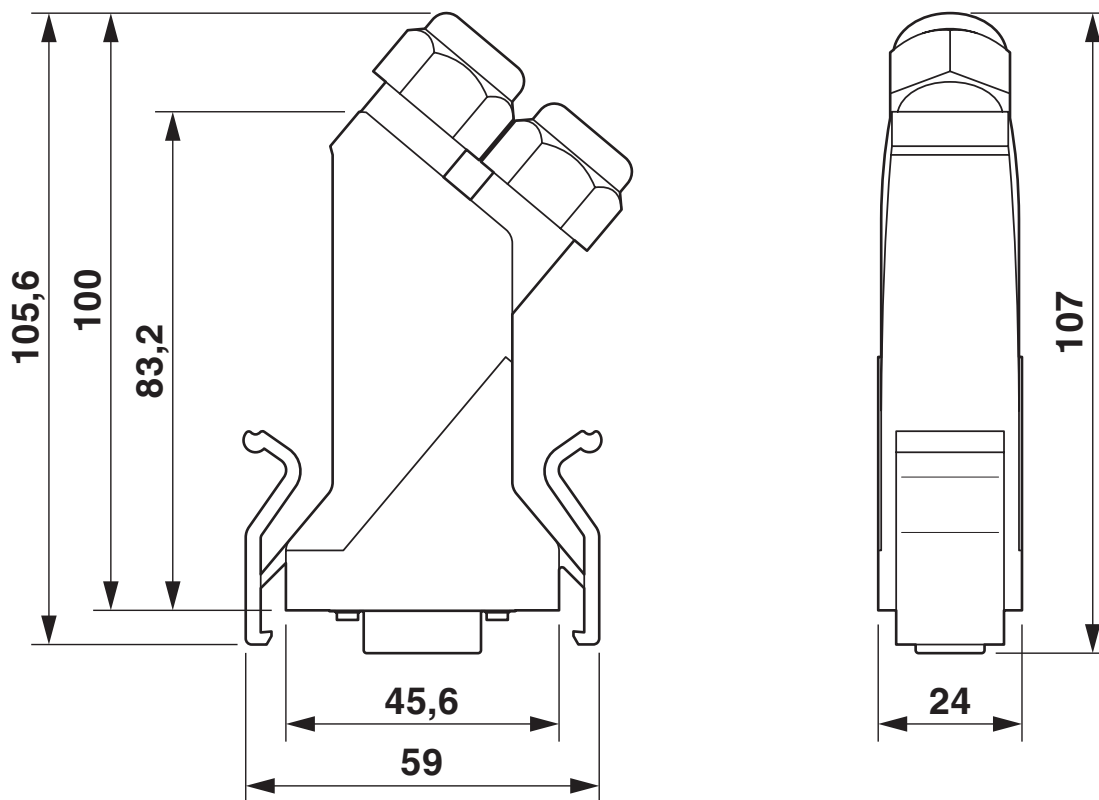
1654549

<https://www.phoenixcontact.com/us/products/1654549>



Drawings

Dimensional drawing



D-SUB connector

VS-09-PROFIBUS-SC - D-SUB connector



1654549

<https://www.phoenixcontact.com/us/products/1654549>

Classifications

ECLASS

ECLASS-11.0	27440302
ECLASS-13.0	27440302
ECLASS-12.0	27440302

ETIM

ETIM 9.0	EC001132
----------	----------

UNSPSC

UNSPSC 21.0	39121400
-------------	----------

VS-09-PROFIBUS-SC - D-SUB connector



1654549

<https://www.phoenixcontact.com/us/products/1654549>

Environmental product compliance

EU RoHS

Fulfills EU RoHS substance requirements	Yes
Exemption	6(c)

China RoHS

Environment friendly use period (EFUP)	EFUP-50
	An article-related China RoHS declaration table can be found in the download area for the respective article under "Manufacturer declaration". For all articles with EFUP-E, no China RoHS declaration table issued and required.

EU REACH SVHC

REACH candidate substance (CAS No.)	Lead(CAS: 7439-92-1)
SCIP	8acc620f-7915-4086-a0a4-b948cd93d2b0

Phoenix Contact 2024 © - all rights reserved

<https://www.phoenixcontact.com>

Phoenix Contact USA
586 Fulling Mill Road
Middletown, PA 17057, United States
(+717) 944-1300
info@phoenixcon.com