

**SEE PAGE 2 FOR CONNECTOR DETAILS

WIRING SCHEMATIC

1	2
PIN	PIN
1 = BROWN	1 = RED
2 = WHITE	2 = GREEN
3 = BLUE	3 = BLACK
4 = BLACK	4 = WHITE

MPM12A04IYYCF0Y

01 = WIRING SCHEMATIC 1
02 = WIRING SCHEMATIC 2

LENGTH
06 = 6 INCHES
12 = 12 INCHES
19 = 19.7 INCHES (0.5 METERS)

NOTE: PACKAGED 5/10 PER BAG DEPENDING ON ORDER SIZE

RoHS COMPLIANT

UNITS = inch [mm]

DO NOT SCALE FROM DRAWING



THESE DRAWINGS AND SPECIFICATIONS ARE THE PROPERTY OF NorComp AND SHALL NOT BE REPRODUCED, COPIED OR USED AS THE BASIS FOR THE MANUFACTURE OR SALE OF APPARATUS WITHOUT WRITTEN PERMISSION.

DRAWN:
G. BROWN
DATE:
01/23/2019

NorComp

SCALE: NTS	SHEET 1 OF 2	REV 6
DWG NO. MPM12A04IYYCF0Y		

DESCRIPTION: M12 4 POSITION BRASS MALE PIGTAIL

NOTE:

MATERIAL

HOUSING: PBT UL94V-0, BLACK
 CONTACT: BRASS
 NUT: BRASS
 SHELL: BRASS
 O-RING: EPDM, BLACK

FINISH

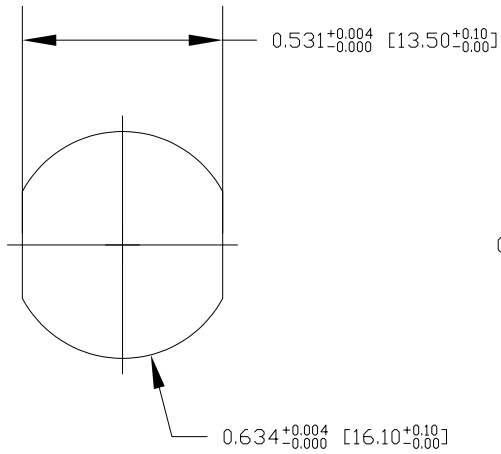
CONTACT: GOLD PLATED, 10µ" Min.
 UNDER PLATE: NICKEL
 NUT: NICKEL PLATED
 SHELL: NICKEL PLATED

ELECTRICAL

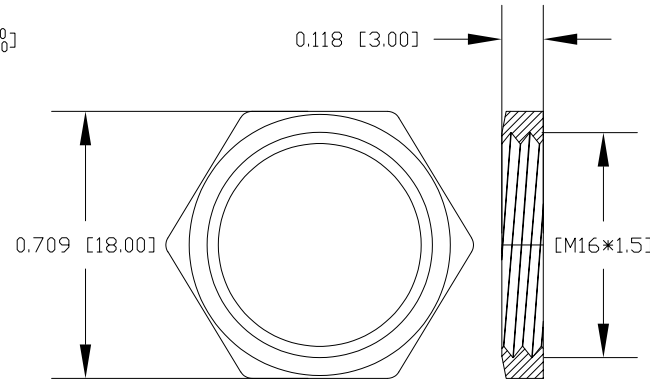
RATED CURRENT: 4A
 RATED VOLTAGE: 250V
 INSULATION RESISTANCE: 100MΩ MIN
 CONTACT RESISTANCE: 10mΩ MAX
 WATER PROOF: IP67/68

ENVIRONMENT

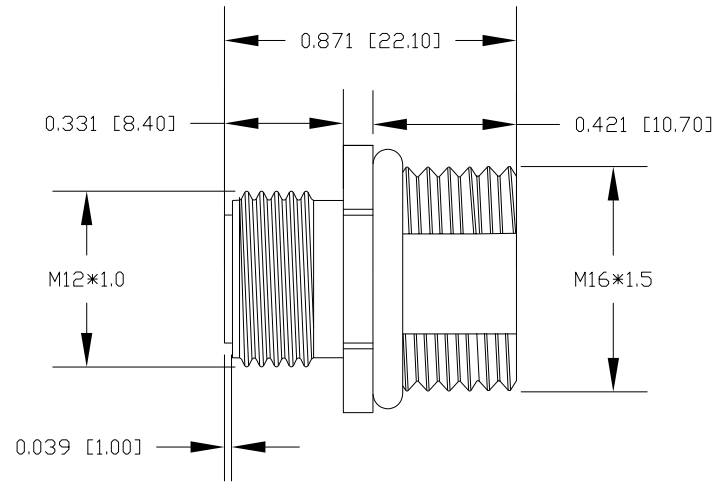
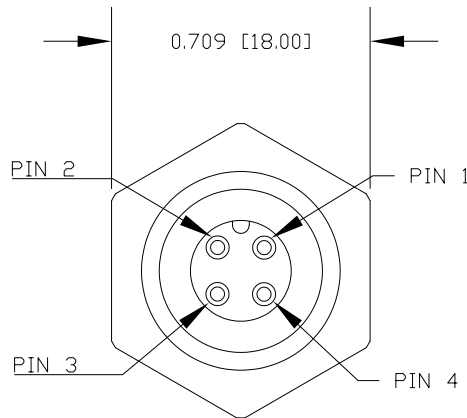
OPERATION TEMPERATURE: -40°C ~ +85°C



RECOMMENDED PANEL CUT-OUT



NUT



RoHS COMPLIANT

UNITS = inch [mm]

DO NOT SCALE FROM DRAWING



THESE DRAWINGS AND SPECIFICATIONS ARE THE PROPERTY OF NorComp AND SHALL NOT BE REPRODUCED, COPIED OR USED AS THE BASIS FOR THE MANUFACTURE OR SALE OF APPARATUS WITHOUT WRITTEN PERMISSION.

DRAWN:

G. BROWN

DATE:

01/23/2019

NorComp

SCALE:

NTS

SHEET

OF

2

2

REV

6

DWG NO.

MPM12A04IYYCF0Y