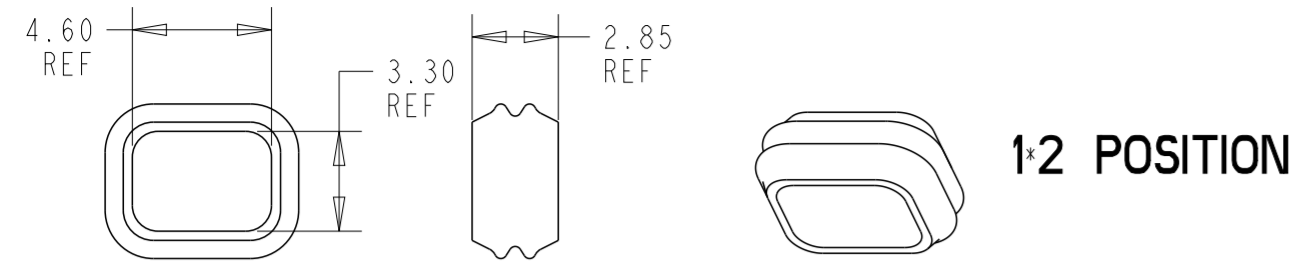
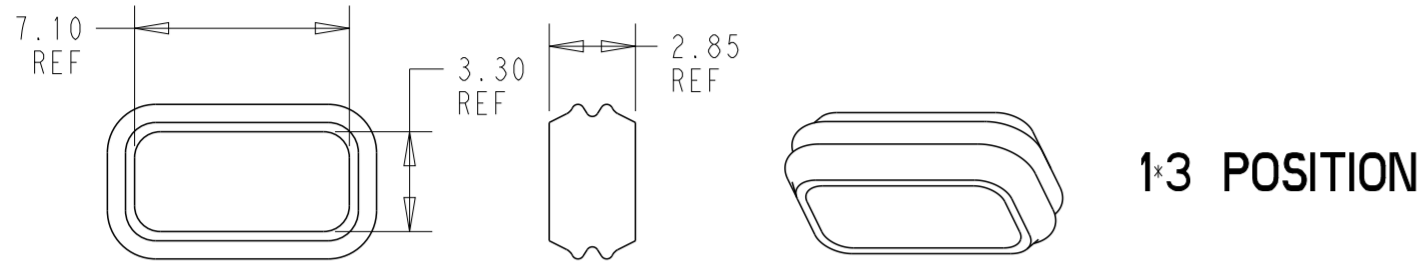


REVISIONS

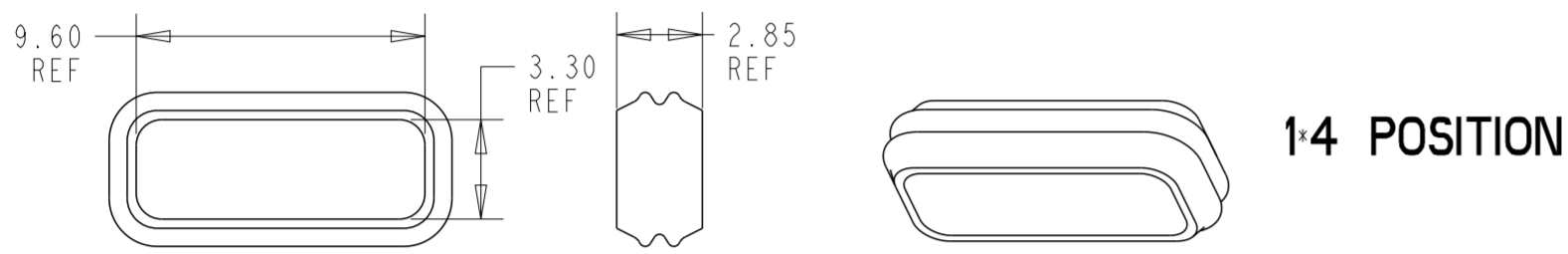
P	LTR	DESCRIPTION	DATE	DWN	APVD
A		FIRST RELEASE	02APR2019	L.C	D.Z
A1		REVISED PER ECR-22-161661	06JAN2023	SK	DZ
A2		REVISED PER ECR-24-203079	14MAY2024	MV	CO



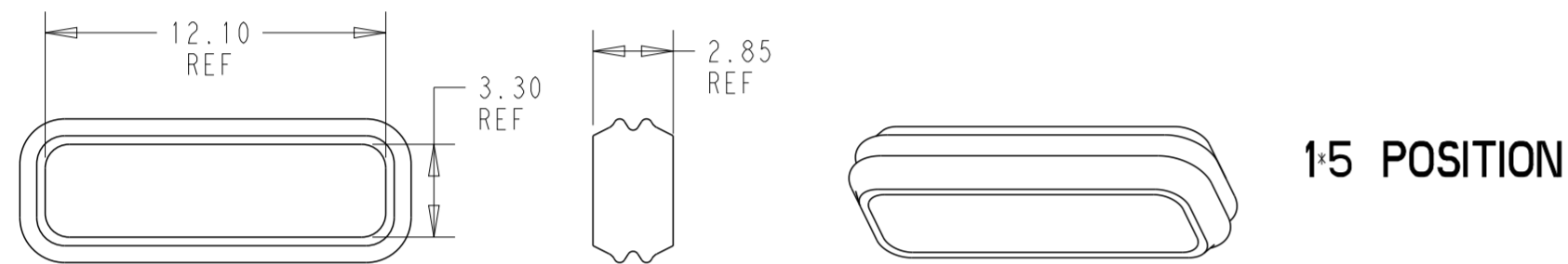
1*2 POSITION



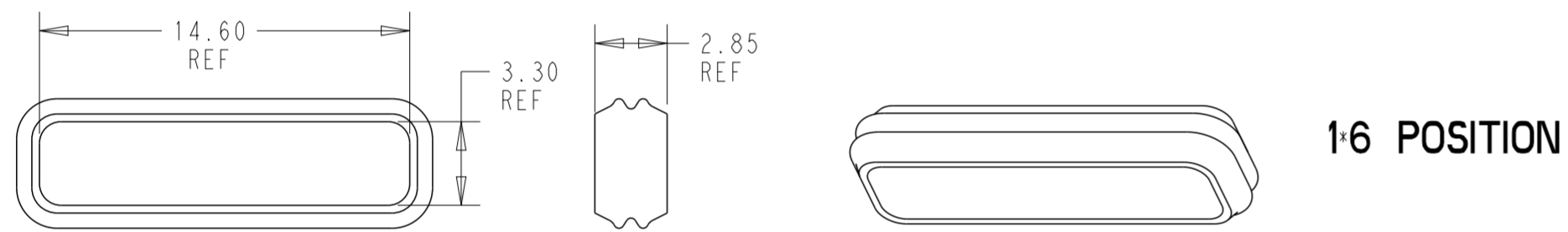
1*3 POSITION



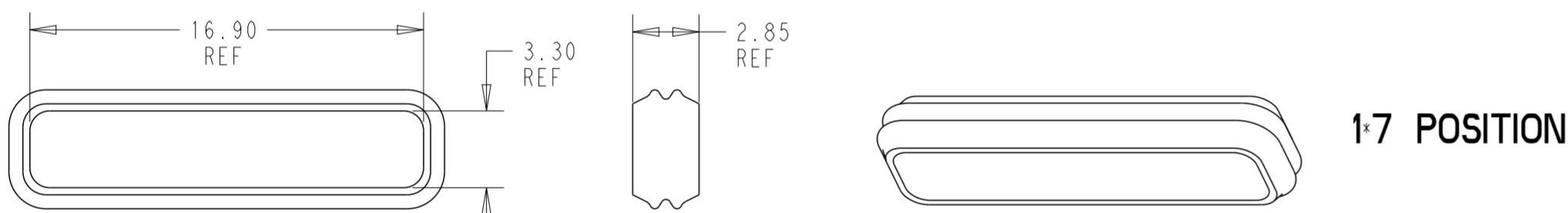
1*4 POSITION



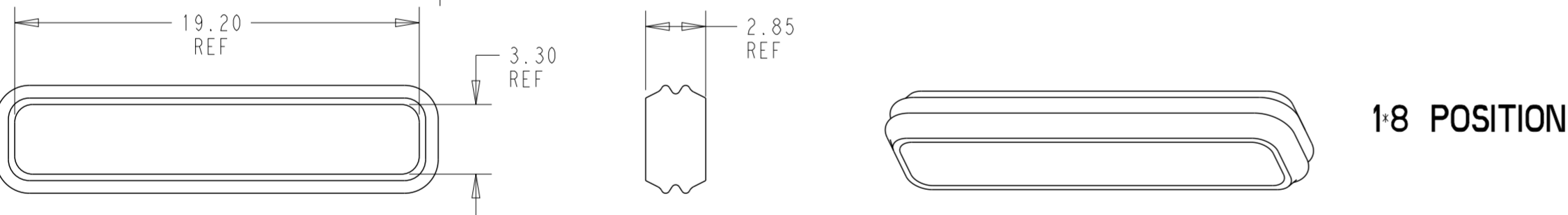
1*5 POSITION



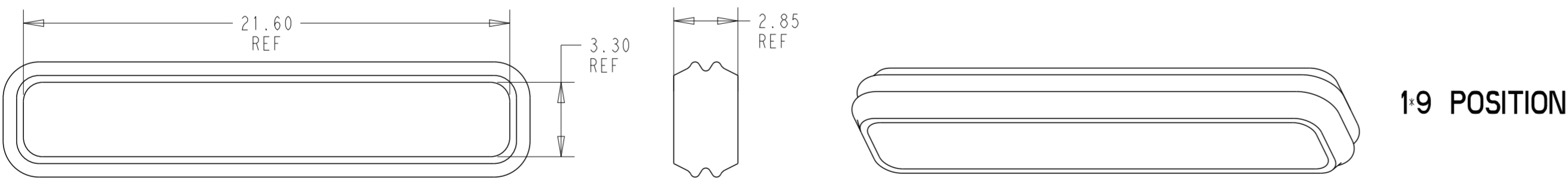
1*6 POSITION



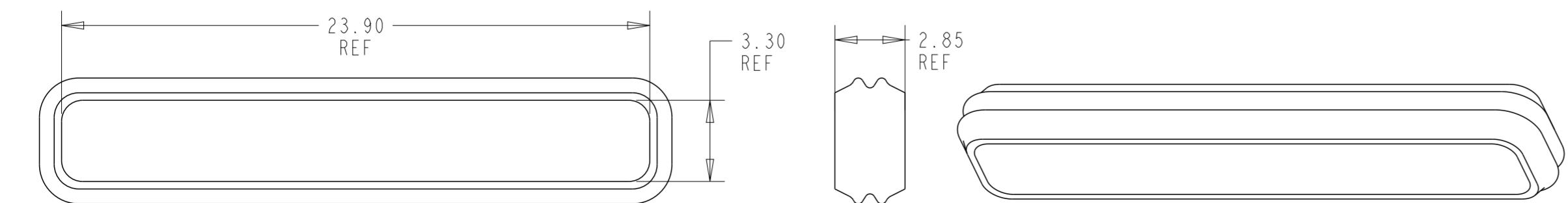
1*7 POSITION



1*8 POSITION



1*9 POSITION



1*10 POSITION

- 1 MATERIAL: SILICONE RUBBER, INHERENTLY LUBRICATED
COLOR - BLUE
- 2. MATING PLUG HOUSING P/N'S: 2321918-* AND *-2443729-*
- 3 NOTE DELETED

1*10	1-2321920-0
1*9	2321920-9
1*8	2321920-8
1*7	2321920-7
1*6	2321920-6
1*5	2321920-5
1*4	2321920-4
1*3	2321920-3
1*2	2321920-2
POSITION	PART NUMBER

THIS DRAWING IS A CONTROLLED DOCUMENT.

DIMENSIONS:	TOLERANCES UNLESS OTHERWISE SPECIFIED:	DWN	05FEB2019	 TE Connectivity
mm	0 PLC ±	CHK	05FEB2019	
	1 PLC ±	APVD	05FEB2019	
	2 PLC ±	NAME	PERIMETER SEAL, SDL 2.5 WATERPROOF	
	3 PLC ±	PRODUCT SPEC	108-143069	
	4 PLC ±	APPLICATION SPEC	114-143067	
	ANGLES ±	WEIGHT	-	
	FINISH -	CUSTOMER DRAWING		

SIZE	CAGE CODE	DRAWING NO	RESTRICTED TO
A2	00779	C-2321920	-
SCALE	SHEET	OF	REV
5:1	1	1	A2