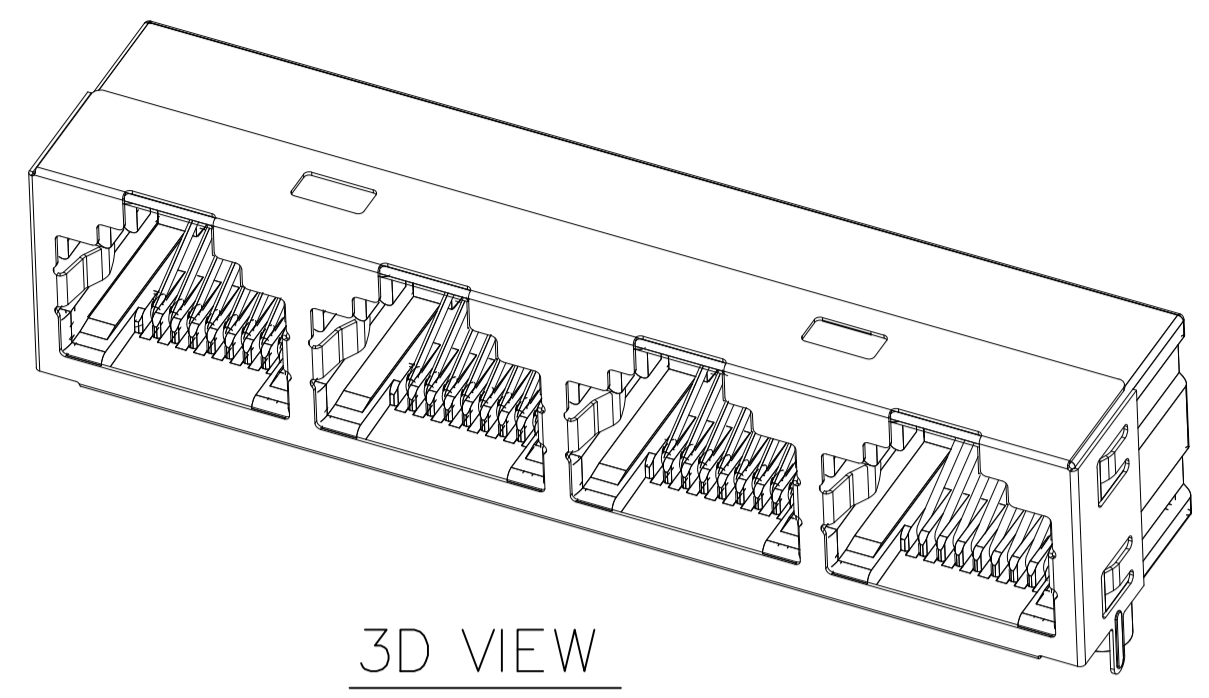
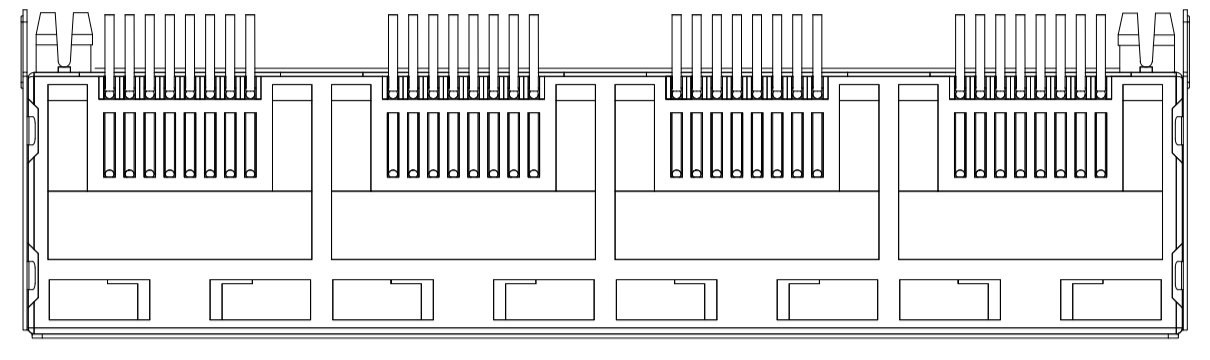
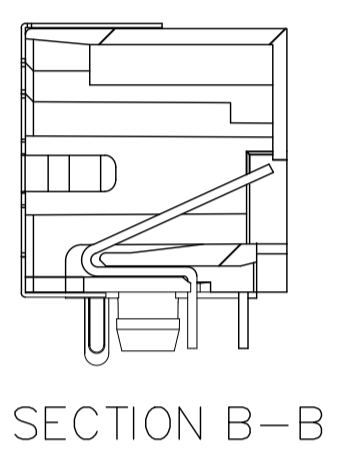
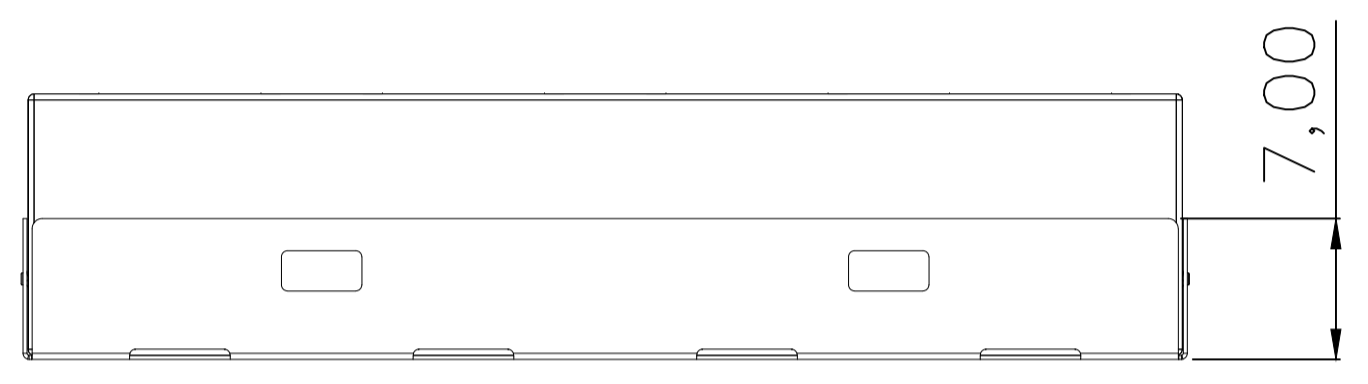


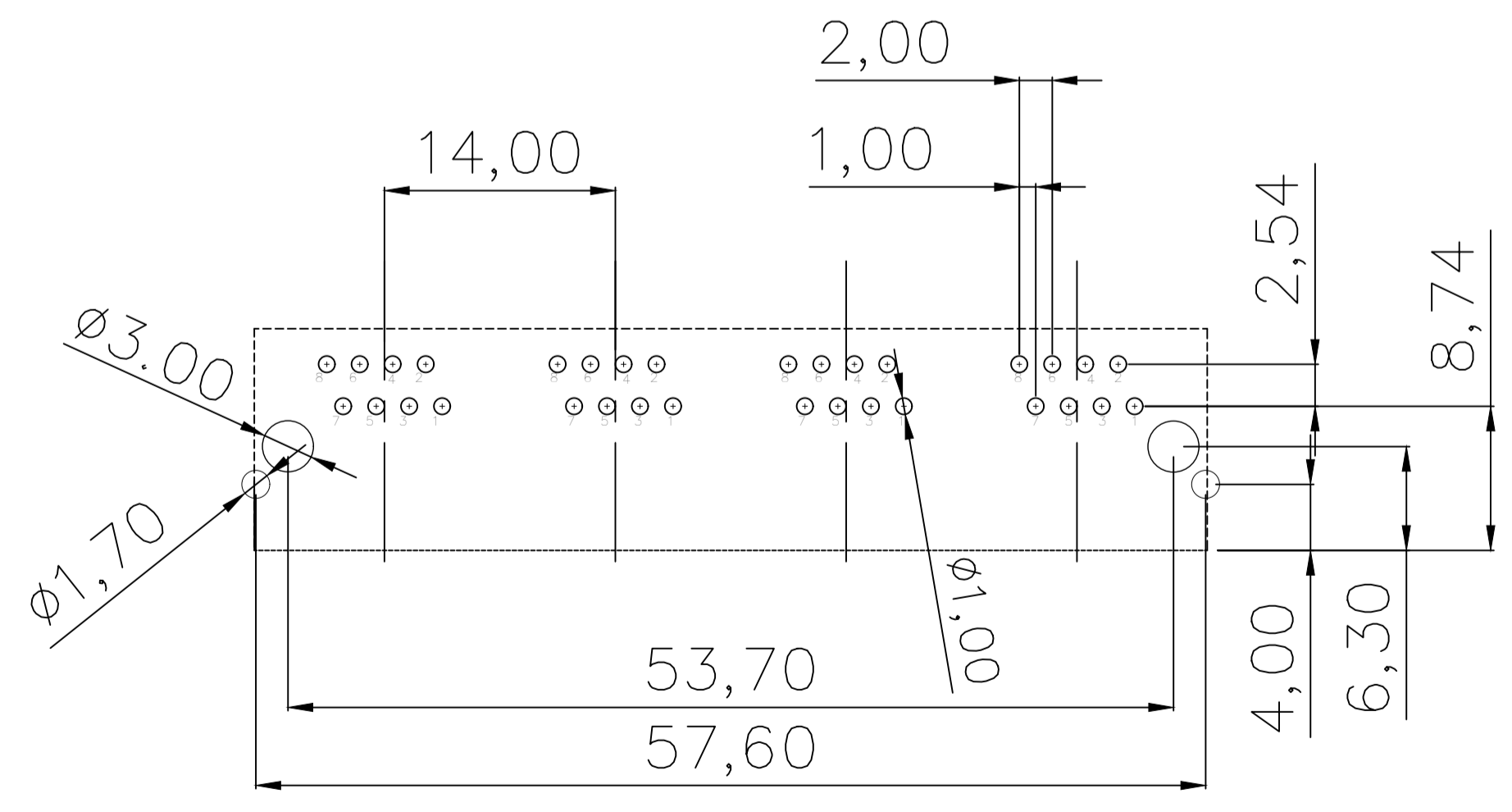
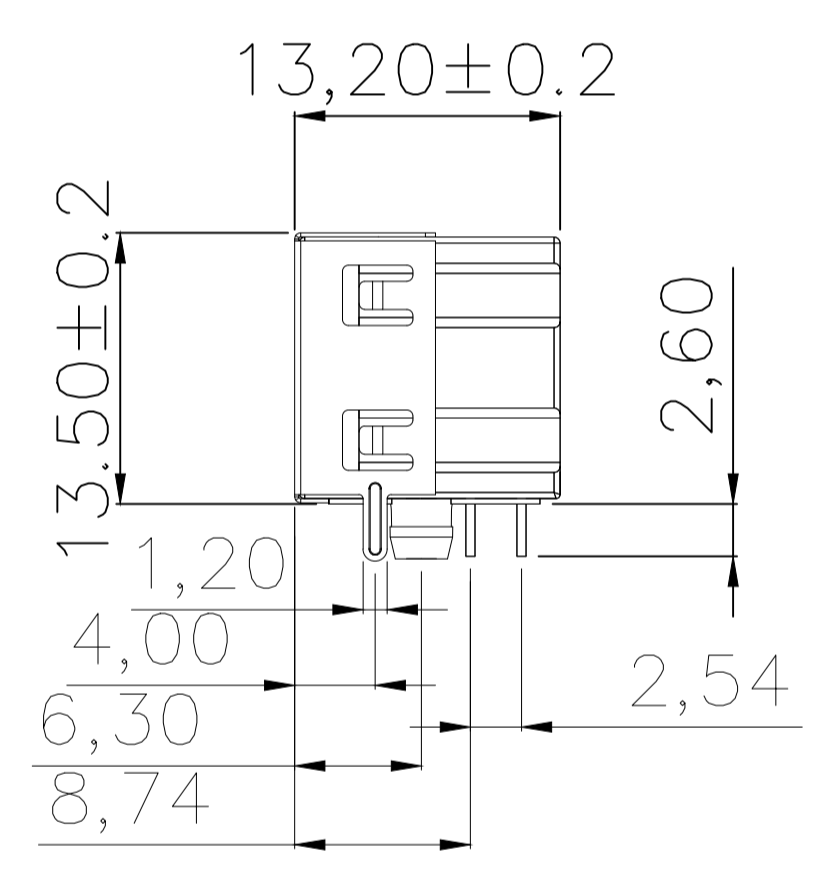
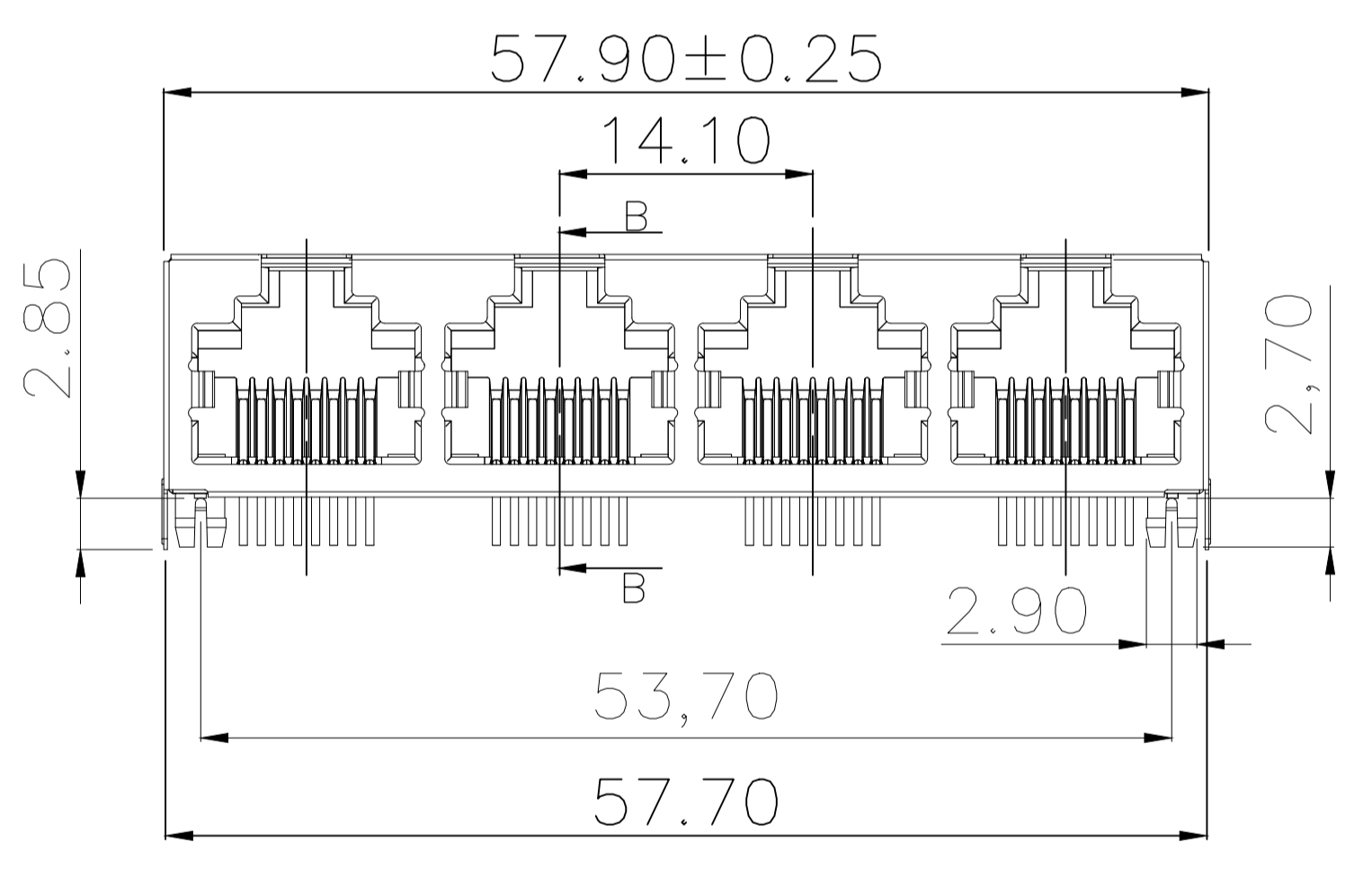
7	8	9
标记 MARK	ECN编号/变更内容 ECN NO/DEFINITION	修改 REVISE
		日期 DATE
		核准 APPROVE



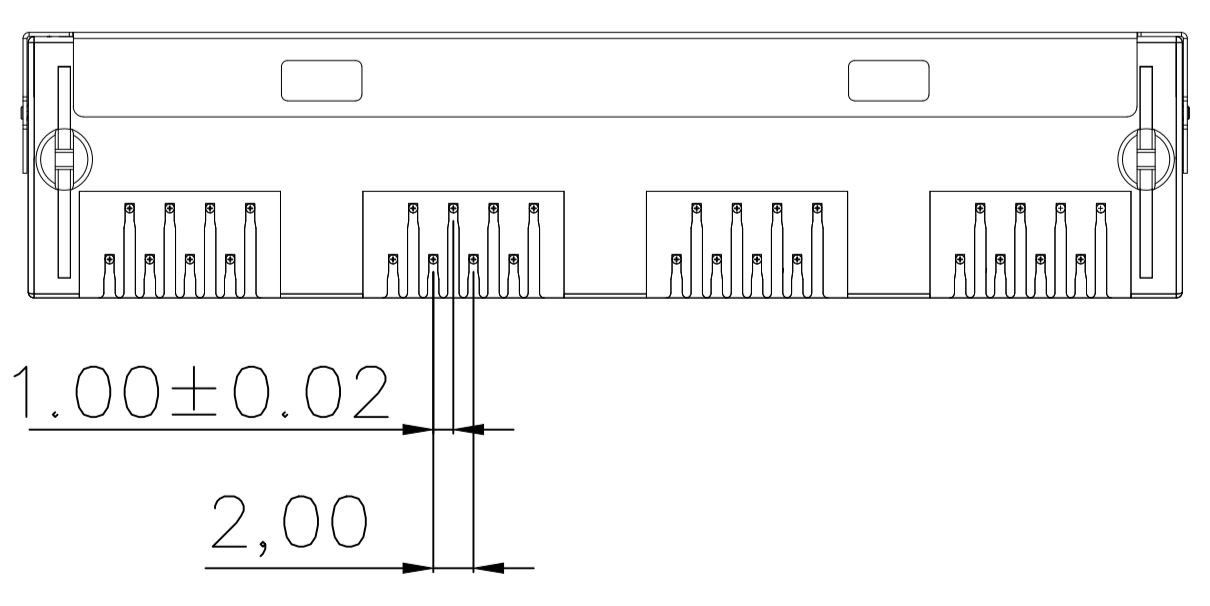
3D VIEW



SECTION B-B



RECOMMENDED PCB LAYOUT
TOP VIEW(TOL: ±0.05)



NOTES:

- MATERIAL:
 - HOUSING: PBT ,COLOR IS BLACK;
 - CONTACT: PHOSPHOR BRONZE, $\phi 0.46 \pm 0.02 \text{mm}$;
 - SHELL: STAINLESS STEEL T=0.2mm;
- FINISH:
 - CONTACT: PLATED GOLD OVER NI;
 - SHELL: PLATED OVER NI;
- RECINNEBDED PCB THICKNESS: 1.0mm Min;
- ELECTRICAL:
 - VOLTAGE RATING: 125 VAC RMS;
 - CURRENT RATING: 1.5 AMP;
 - CONTACT RESISTANCE: 35MILLIOHMS MAX.;
 - WITHSTAND VOLTAGE: 1000 VAC RMS 50(60)Hz,1MIN.;
 - INSULATION RESISTANCE: 1000MEGOHMS MIN @500V DC;
- MECHANICAL:
 - MATING/UNMATING FORCE: 30N MAX.;
 - RETENTION STRENGTH: 50N MIN.;
 - OPERATING LIFE: 750 CYCLES MIN.;
- SALT SPRAY TEST: 12H;
- SOLDERABILITY: $245 \pm 5^\circ \text{C}$, $5 \pm 0.5 \text{S}$;
- RESISTANCE TO SOLDER: $260 \pm 5^\circ \text{C}$, $10 \pm 1 \text{S}$;
- ENVIRONMENTAL:
 - STORAGE TEMPERATURE RANGE: $-40^\circ \text{C} \sim +85^\circ \text{C}$;
 - OPERATION TEMPERATURE RANGE: $-25^\circ \text{C} \sim +70^\circ \text{C}$;

3	外壳	不锈钢	镀镍	
2	接触	铜	镀金G/F	
1	基座	PBT	黑色	
序号	品名	材质	电镀/颜色	备注

	深圳市虹成电子有限公司 品名 TITLE: 网口 料号 PART NO: HC-WK88-H132-1X4-55BB		
	UNLESS OTHERWISE, GENERAL TOLERANCE: X. xxx ±0.10 X. xx ±0.20 X. x ±0.30 ANGULAR: X. xx° ±1° X. x° ±3° X. ° ±5°	比列 SCALE: 1:1 单位 UNIT: MM 张数 PART NO: 1 OF 1 版本 REV: A	

