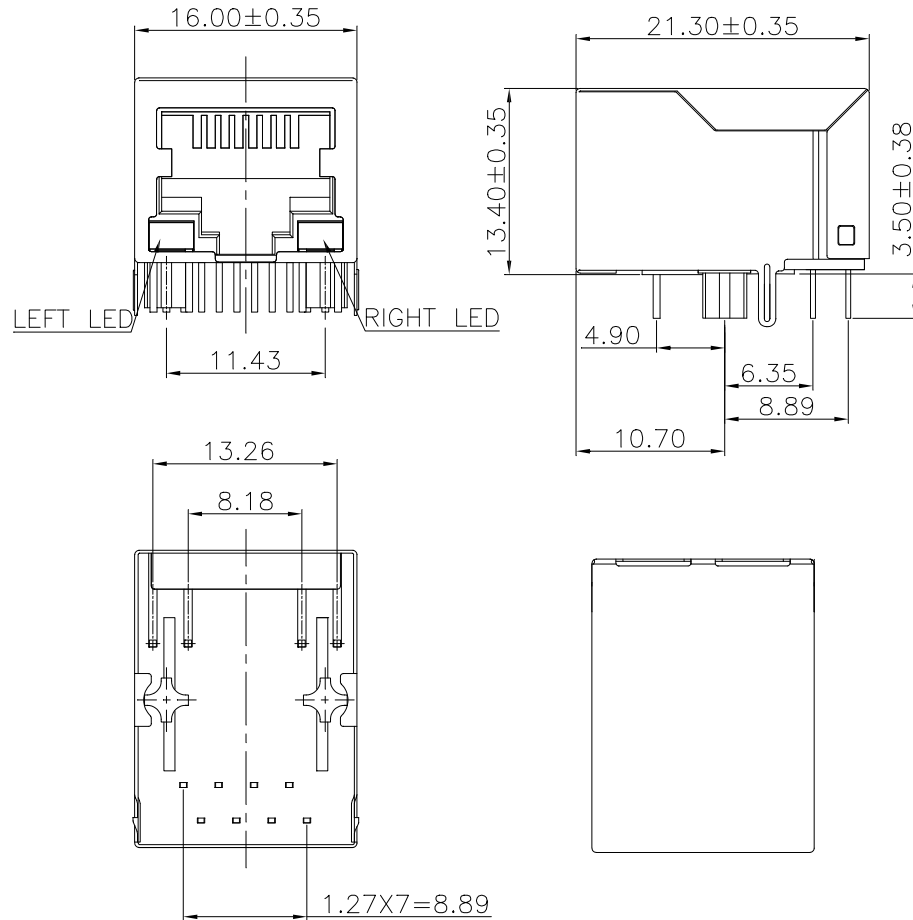


RoHS Mechanicals:

REV.	ECN NO.	LOCATIONS	DESCRIPTION	DATE	DESIGN
A		N/A	New Design	2022.4.25	Jerry Li

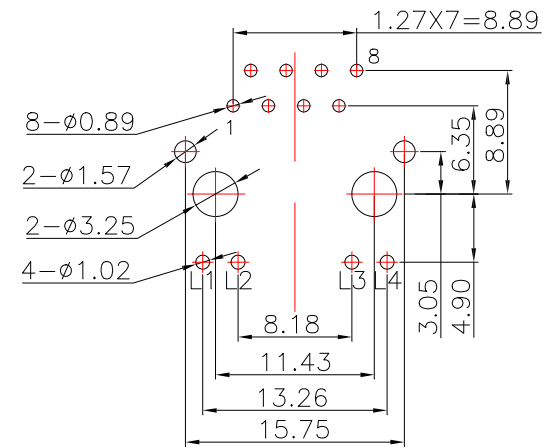


1. Material:

- 1.1 Housing: PBT UL94V-0 Black.
- 1.2 Contact :Phosphor Bronze,Gold plated on contact area 6u”.
- 1.3 Input Terminal : Brass.
- 1.4 Metal shielding:Copper alloy with Nickel plated.

2.Environmental requirements:

- 2.1 Lead-free process,compliant RoHS.

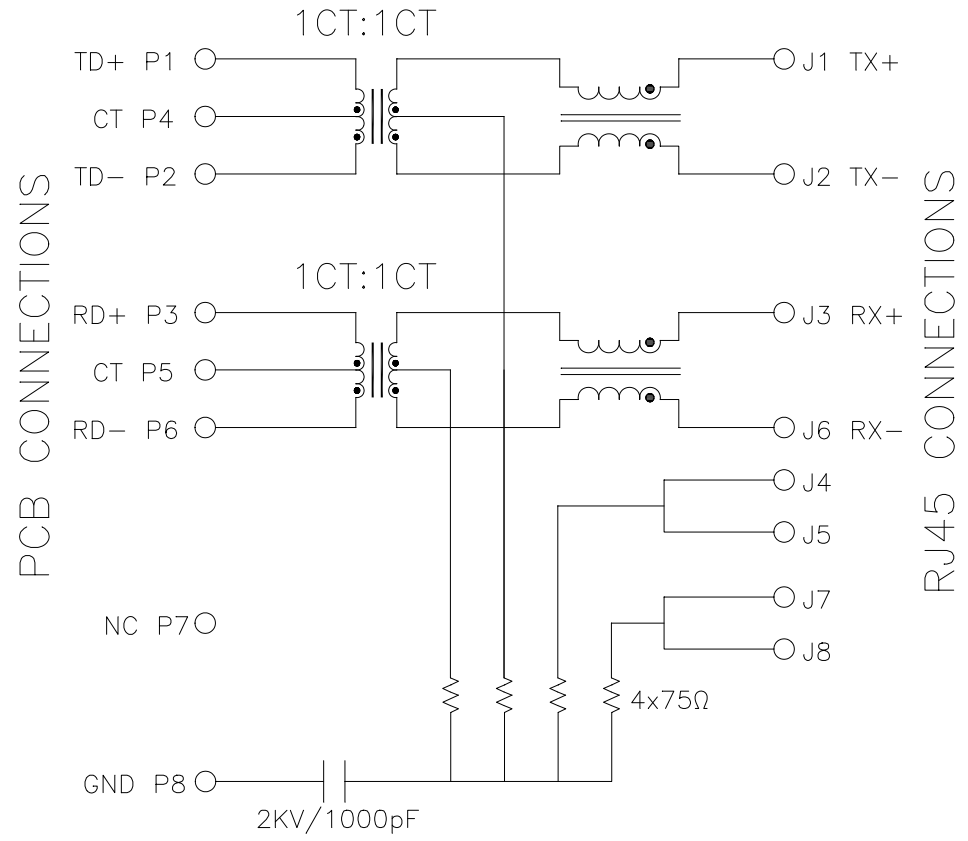


Recommended PCB Layout
(Tolerance:±0.05)

 UNIT: mm [inch] TOLERANCE: Unless Otherwise Specification All Tolerance Are ±0.25mm SCALE:1:1 SIZE:A4	深圳市华灿天禄电子有限公司	
	DESIGN: Jerry Li	PART NAME: RJ45 1x1 Dip Tab Zero 10/100 Base With 1.20 6u" NS
	CHECKED: Jerry Li	PART NO. HC913550A-M899-A
	APPROVED: J Mou	DRAW NO. SLW-M899-A
	SHEET NO. 01 OF 02	

RoHS Mechanicals:

REV.	ECN NO.	LOCATIONS	DESCRIPTION	DATE	DESIGN
A		N/A	New Design	2022.4.25	Jerry Li



- 3. Electrical Specification @25°C:
 - 3.1 Inductance: 350uH Min With 8mA DC bias.
 - 3.2 Insertion loss :
 - 1-100MHZ -1.0dB max.
 - 3.3 Return loss :
 - 1-30MHZ -18dB min.
 - 30-60MHZ -16dB min.
 - 60-80MHZ -12dB min.
 - 80-100MHZ -10dB min.
 - 3.4 Common Mode Rejection: 1-100MHZ -30dB min.
 - 3.5 Cross Talk: 1-100MHZ -30dB min.
- 4. Operating and Storage Temperature:
 - 4.1 Operating Temperature : 0°C to +70°C.
 - 4.2 Storage Temperature : -40°C to +85°C.
- 5. Wave soldering peak temperature: 260°C.



Emitting Color	λ_p (nm)	Vf@If=20mA
Green	565	1.8-2.5V
YELLOW	585	1.8-2.5V

<p>UNIT: mm [inch]</p> <p>TOLERANCE:</p> <p>Unless Otherwise Specified All Tolerances Are ±0.25mm</p> <p>SCALE:1:1 SIZE:A4</p>	<p>深圳市华灿天禄电子有限公司</p>	
	DESIGN: Jerry Li	PART NAME: RJ45 1x1 Dip Conn 10/100 Base With LED 6u" NS
	CHECKED: Jerry Li	PART NO. HC913550A-M899-A
	APPROVED: J Mou	DRAW NO. SLW-M899-A
		SHEET NO. 02 OF 02