

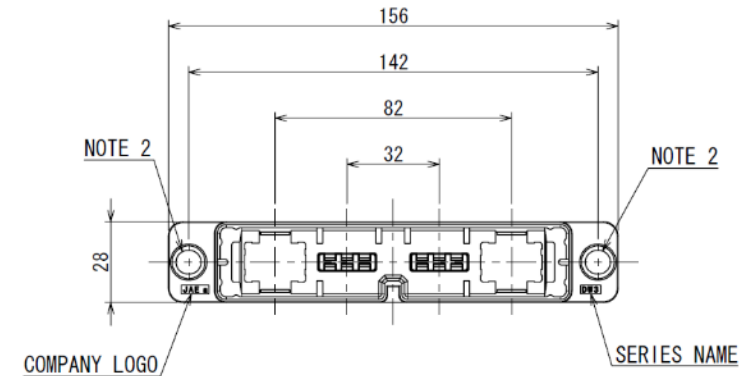
# DW3 Specifications



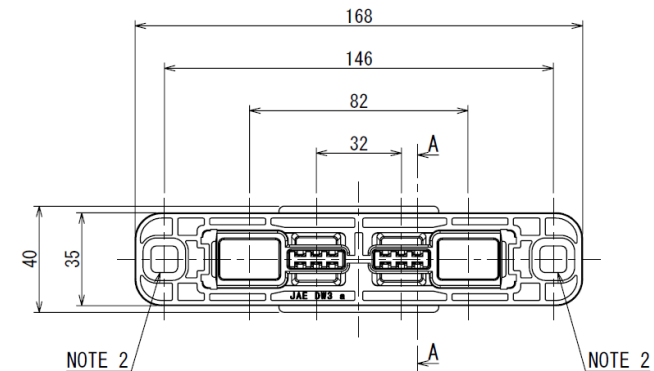
Technology to Inspire Innovation

Item	Power	Signal
Pin count	2 pins	24 pins
Rated current	150 A	2 A
Rated voltage	1,000 V	100 V
Contact resistance	Initial: Max. 0.2	Initial: Max. 20 After evaluation: Max. 30
Cable	Bus bar: Width 15 +/- 1mm Thickness 3 +/- 0.1mm	AWG22 (0.3mm <sup>2</sup> ) Outer diameter of coated cable: 1.5mm
Durability	100 times	
Overvoltage category	4	
Pollution grade	3	
Ambient temperature	-25 to 60 C	
Temperature increase at power contact	Max. 45 C	
Allowable temperature at power contact	Max. 105 C	

## Receptacle



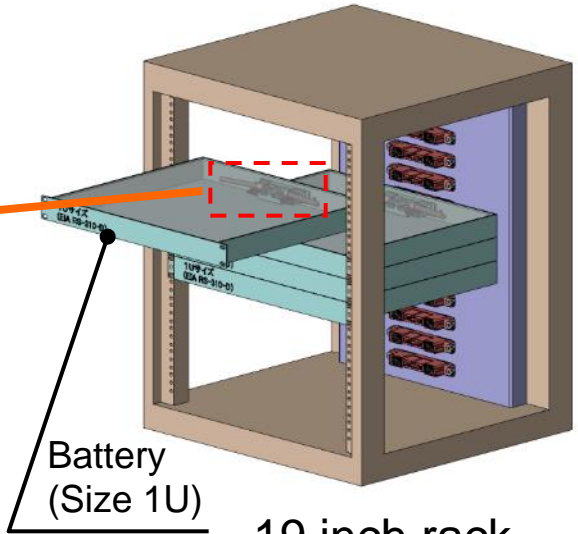
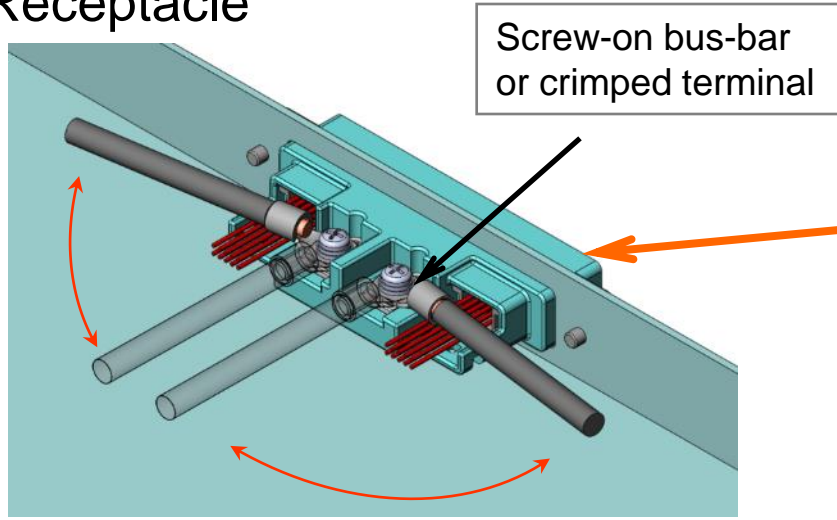
## Plug



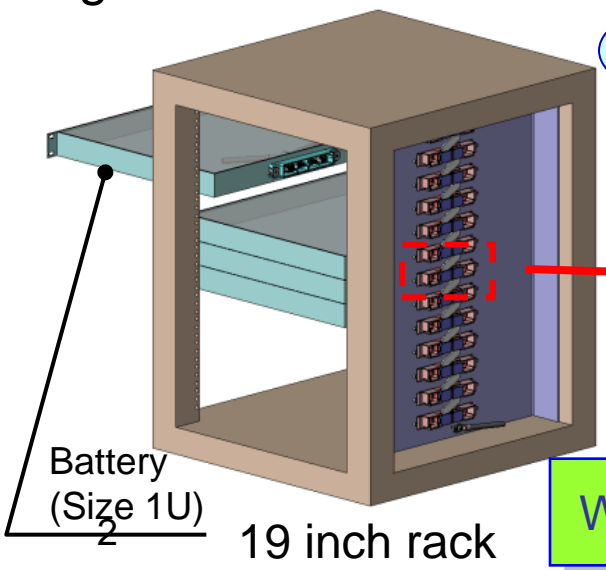
# DW3 Application Example

Technology to Inspire Innovation

## Receptacle

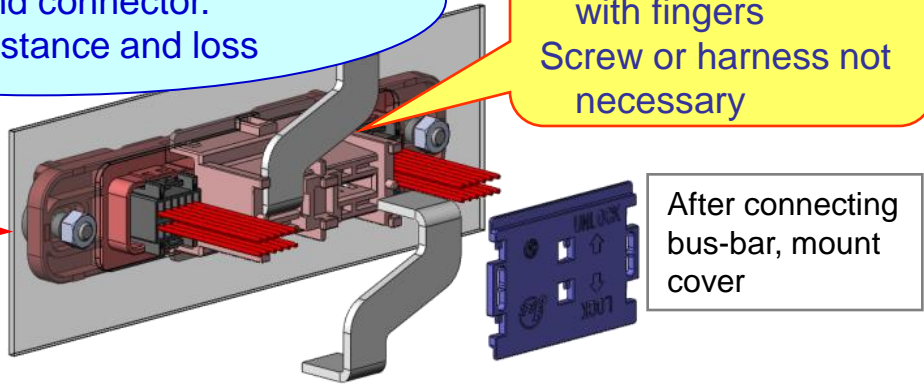


## Plug



Omits connection between cable, bus-bar and connector. Free from resistance and loss

Can connect bus-bar with fingers  
Screw or harness not necessary

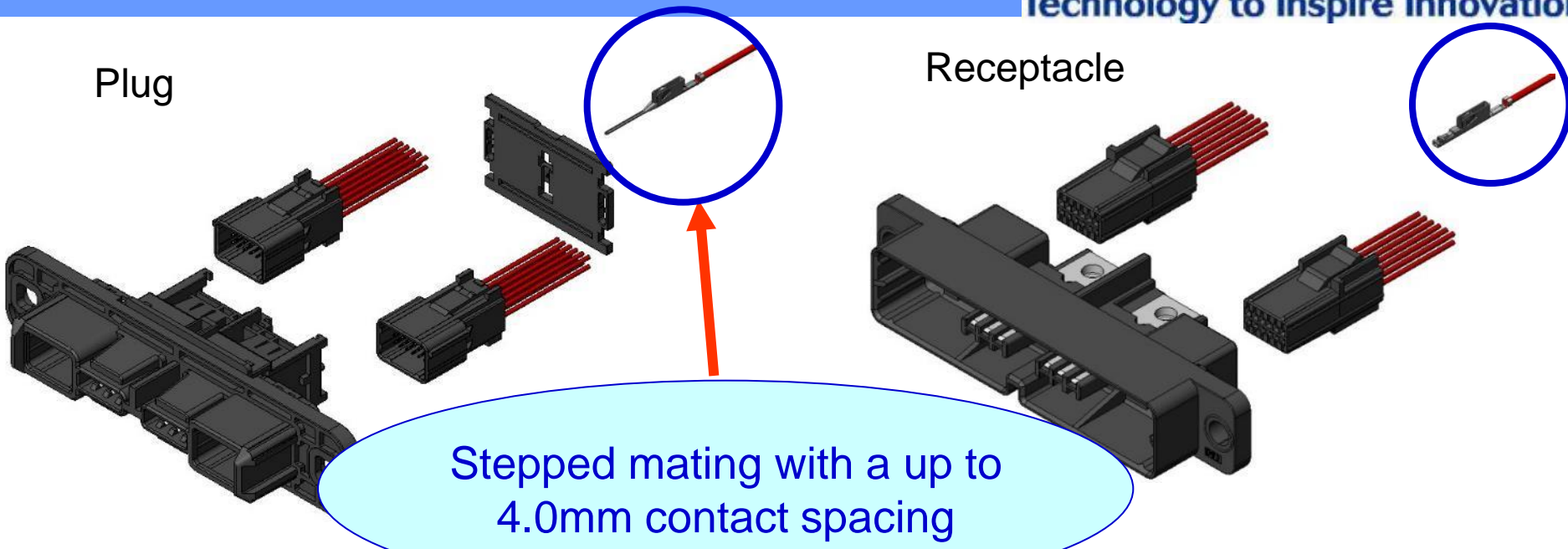


Workability made easy by direct connect to bus-bar (plug)

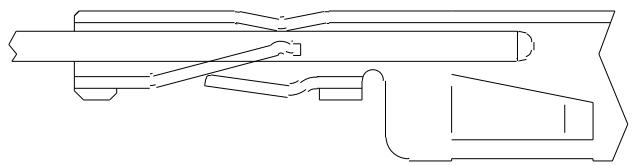
# DW3 Signal Contacts



Technology to Inspire Innovation

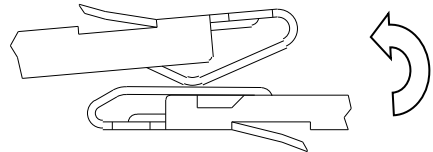


## Box-type Socket Contact Structure



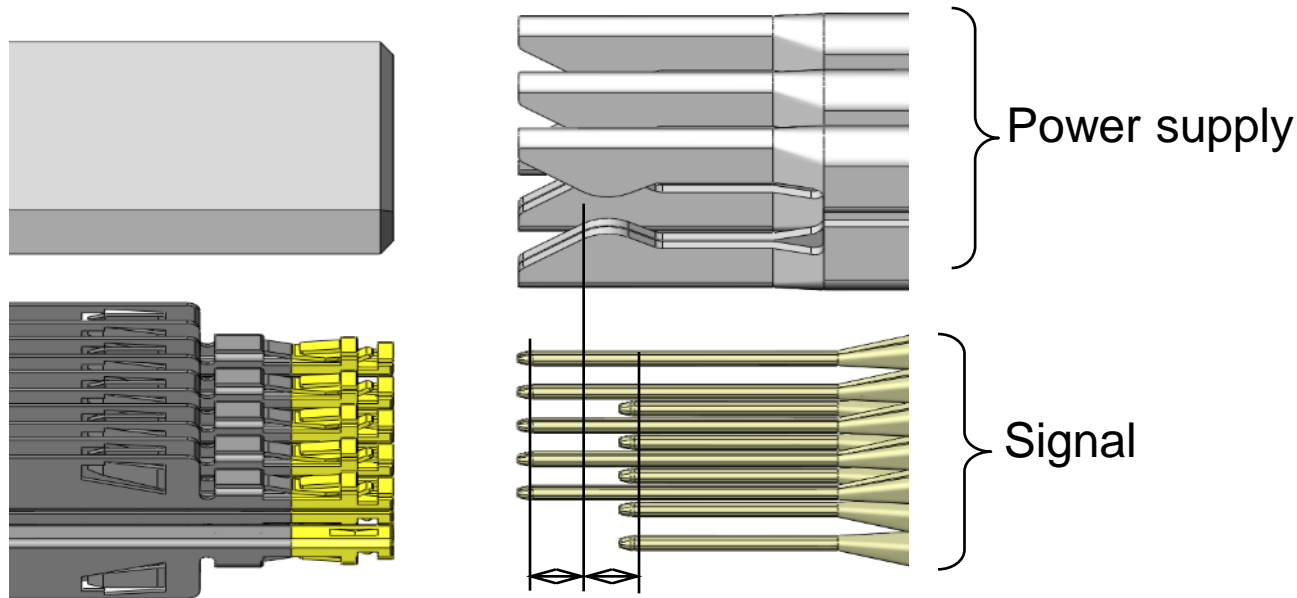
2-point contact → Steady Connection

Better than inferior bellows-type 1-point contact → weak with and dust



Same concept as high-reliability automotive contacts

# DW3 3-Step Mating Sequence



Staggered spacing 2mm each

3-step sequence available by using different pin lengths

- 1) Start connecting → Power connect → Complete connection
- 2) Start unplug → Power unplug → Complete unplug

**3-steps sequential signal pin**

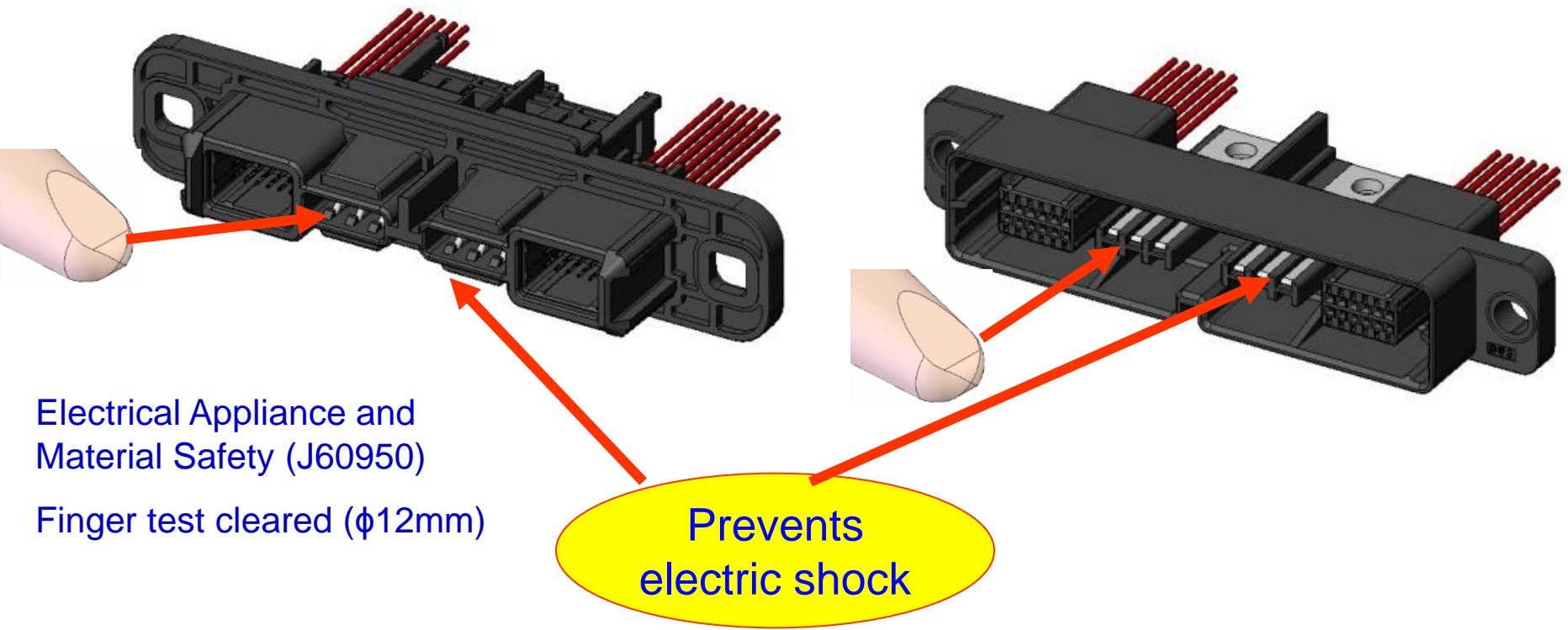
# DW3 Electric Shock Prevention



Technology to Inspire Innovation

Plug

Receptacle



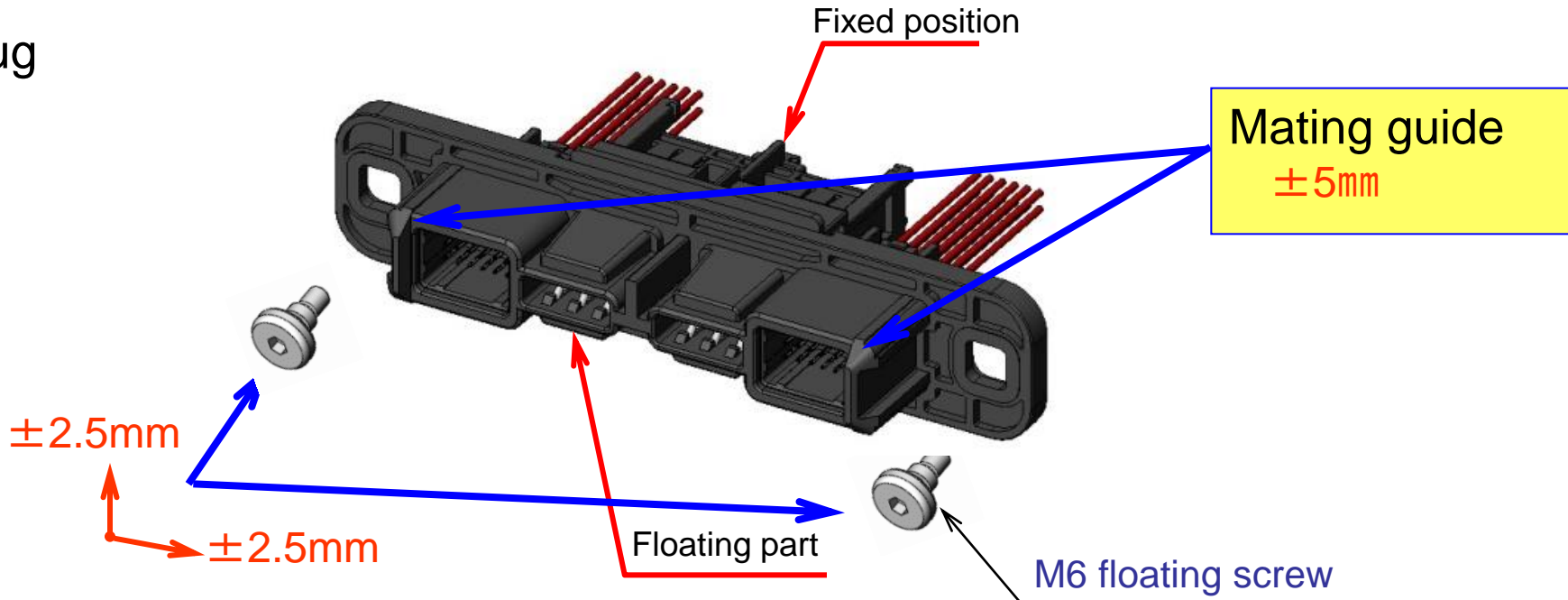
Both plug and receptacle have shock prevention design

# DW3 Floating Range, Connection Guide



Technology to Inspire Innovation

Plug



Floating range  
 $\pm 2.5\text{mm}$

Acceptable position gap  $\pm 2.0\text{mm}$  between fixed position and center of mounted panel

No need to use expensive high-accuracy racks

# Mouser Electronics

Authorized Distributor

Click to View Pricing, Inventory, Delivery & Lifecycle Information:

[JAE Electronics:](#)

[DW3R002ZH1](#) [DW3P002ZH1](#)