

# GCK GRAY CODED ROTARY SWITCH

## GENERAL ELECTRICAL & MECHANICAL SPECIFICATION

**RoHS COMPLIANT**



Switch Rating:	150mA @ 50Vac/dc resistive load
Life:	>10,000 Cycles
Operating Temperature:	-30°C to +85 °C
Proof Voltage:	250Vac (Initial)
Insulation Resistance:	>999 MΩ at 500Vdc (Initial)
Contact Resistance:	<50 mΩ (Initial)
Operating Torque (nominal)	Standard 4.7 ± 0.5 cNm
End Stop Torque (nominal):	0.8 Nm
Moulding Material:	Polyamide 6.6 G.F.
Contact/Terminal Material:	Brass CZ108 Ag Plated

## GENERAL FEATURES

- Made in UK
- Gray code Standard and complementary versions.
- Moulded 27.5mm diameter single wafer switch.
- Standard 22.5° indexing 4-Bit
- Standard 45° indexing 3-Bit
- Printed Circuit Terminals.
- Special options include UL-V0 rated material, gold flashed or gold plated (2.5 microns gold over 2 microns nickel) contacts, spindles with special flats or slots.

## STANDARD PART NUMBER

BASIC TYPES	SPINDLE DIAMETER	SPINDLE LENGTH FROM MOUNTING FACE	8mm LONG BUSH	SPINDLE FLAT LENGTH	ANGLE OF SPINDLE FLAT	SPINDLE FLAT THICKNESS
IMPERIAL	6.35mm	38mm	9.52 x 32TPI	30mm	90°	5.5mm
METRIC	6.00mm	50mm	M10 x 0.75	No Flat	---	---

	STANDARD METRIC		STANDARD IMPERIAL	
	Stop	No Stop	Stop	No Stop
4-Bit Gray – Standard Spindle	GCK 1016	GCK 1017	GCK1018	GCK1019
4-Bit Gray Comp – Standard Spindle	GCK 1020	GCK1021	GCK1022	GCK1023
3-Bit Gray – Standard Spindle	GCK 1024	GCK1025	GCK1026	GCK1027
3-Bit Gray Comp – Standard Spindle	GCK 1028	GCK1029	GCK1030	GCK1031

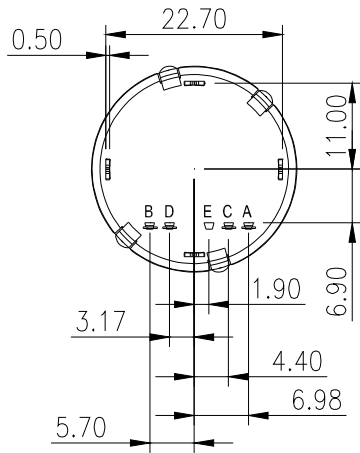
DIAL	COMMON E Connection to Terminals			
	A	B	C	D
0				
1				•
2			•	•
3			•	
4		•	•	
5		•	•	•
6		•		•
7		•		
8	•	•		
9	•	•		•
A	•	•	•	•
B	•	•	•	
C	•		•	
D	•		•	•
E	•			•
F	•			

LORLIN GRAY CODED COMMON –4-BIT

DIAL	COMMON E Connection		
	A	B	C
1			
2			•
3		•	•
4		•	
5	•	•	
6	•	•	•
7	•		•
8	•		

LORLIN GRAY CODED COMMON –3-BIT

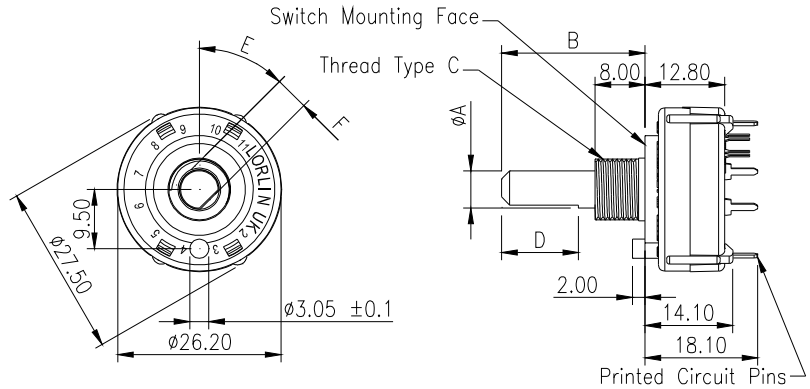
# GCK GRAY CODED ROTARY SWITCH



CUSTOMER TO COMPLETE OR DELETE AS REQUIRED

	A	B	C
IMPERIAL	Ø6.35		Ø9.52 x 32TPI
METRIC	Ø6.00		M10 x 0.75

	D	E	F
IMPERIAL			
METRIC			



## STANDARD SPINDLE DETAILS

	A	B	C	D	E	F
BASIC TYPES	SPINDLE DIAMETER	SPINDLE LENGTH FROM MOUNTING FACE	8mm LONG BUSH	SPINDLE FLAT LENGTH	ANGLE OF SPINDLE FLAT	SPINDLE FLAT DEPTH
IMPERIAL	6.35mm	38mm	9.52 x 32TPI	30mm	90°	5.5mm
METRIC	6.00mm	50mm	M10 x 0.75	No Flat	---	---

## STANDARD ANGLES OF SCREWDRIVER SLOTS

Standard screwdriver slots are 1.2mm wide and 1.5mm deep.



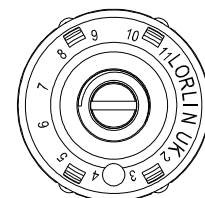
## TYPICAL SPINDLE DETAILS



Orientation with location lug in position shown.

## TO ORDER PLEASE SPECIFY:

1. Switching Code
2. Imperial or Metric Spindle Diameter
3. Dimension (B) Spindle length from Mounting Face
4. Thread Required (C)
5. Spindle Flat length if required (D)
6. Angle of Flat (E)
7. Spindle Flat Depth (F)
8. 8 Position or No Stop Version
9. Contact Plating: Silver/Gold Flash/2.5 microns Gold Plate



### EXAMPLE

Screwdriver slot level with top of threaded fixing bush 1.2mm wide x 1.5mm deep (standard) at 90° (standard)

# Mouser Electronics

Authorized Distributor

Click to View Pricing, Inventory, Delivery & Lifecycle Information:

[Lorlin:](#)

[GCK1022](#) [GCK1023](#) [GCK1026](#) [GCK1027](#)