

1-2273012-1 ✓ ACTIVE

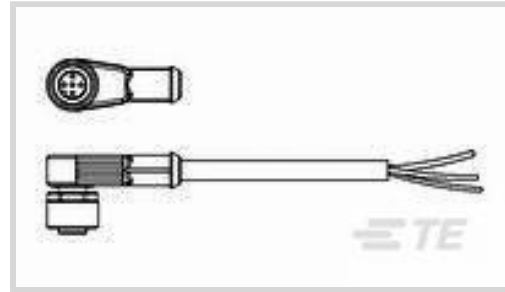
TE Internal #: 1-2273012-1

M8 Pigtail Cable Assembly, 4 Position, 1.5 m, Sensor/Actuator,
Code A, M8 Socket, Single Ended, Plastic

[View on TE.com >](#)



Cable Assemblies > Copper Cable Assemblies > M8/M12 Cable Assemblies > M8 Pigtail, Right Angle, LED



M8/M12 Application Type: **Sensor/Actuator**

Number of Positions: **4**

Connector & Keying Code: **A**

Cable Assembly Type: **M8 Pigtail**

Cable Assembly (End A): **M8 Socket**

[All M8 Pigtail, Right Angle, LED \(8\)](#)

Features

Product Type Features

Cable Assembly Type	M8 Pigtail
Cable Assembly (End A)	M8 Socket

Configuration Features

Number of Positions	4
---------------------	---

Electrical Characteristics

Operating Voltage	24 VDC
-------------------	--------

Body Features

Cable Color	Black
Connector Color (End A)	Black
Jacket Material	PVC
Wire Color (Base)	Brown, White, Blue, Black
Connector & Keying Code	A

Contact Features

Contact Current Rating (Max)	4 A
------------------------------	-----

Mechanical Attachment

Thread Size	M8
Connector Orientation (End A)	Right Angle



Housing Features

Housing Material	Plastic
------------------	---------

Dimensions

Outside Cable Diameter	4.5 mm[.177 in]
Wire Size	.326 mm ²

Usage Conditions

Operating Temperature Range	-30 – 80 °C[-22 – 176 °F]
-----------------------------	---------------------------

Operation/Application

Indicator Type	LED
M8/M12 Application Type	Sensor/Actuator
Shielded	No

Packaging Features

Packaging Quantity	25
Packaging Method	Box

Other

Field Serviceable	Yes
Cable Assembly Length	1.5 m
Cable Assembly Configuration	Single Ended

Product Compliance

[For compliance documentation, visit the product page on TE.com>](#)

EU RoHS Directive 2011/65/EU	Compliant
EU ELV Directive 2000/53/EC	Compliant
China RoHS 2 Directive MIIT Order No 32, 2016	No Restricted Materials Above Threshold
EU REACH Regulation (EC) No. 1907/2006	Current ECHA Candidate List: JUNE 2024 (241) Candidate List Declared Against: JUL 2021 (219) Does not contain REACH SVHC
Halogen Content	Low Halogen - Br, Cl, F, I < 900 ppm per homogenous material. Also BFR/CFR/PVC Free
Solder Process Capability	Not reviewed for solder process capability

Product Compliance Disclaimer

This information is provided based on reasonable inquiry of our suppliers and represents our current actual knowledge based on the information they provided. This information is subject to change. The part numbers that TE has identified as EU RoHS compliant have a maximum concentration of 0.1% by weight in homogenous materials for lead, hexavalent chromium, mercury, PBB, PBDE, DBP, BBP, DEHP, DIBP, and 0.01% for cadmium, or qualify for an exemption to these limits as defined in the Annexes of Directive 2011/65/EU (RoHS2). Finished electrical and electronic equipment products will be CE marked as required by Directive 2011/65/EU. Components may not be CE marked. Additionally, the part numbers that TE has identified as EU ELV compliant have a maximum concentration of 0.1% by weight in homogenous materials for lead, hexavalent chromium, and mercury, and 0.01% for cadmium, or qualify for an exemption to these limits as defined in the Annexes of Directive 2000/53/EC (ELV). Regarding the REACH Regulation, the information TE provides on SVHC in articles for this part number is based on the latest European Chemicals Agency (ECHA) 'Guidance on requirements for substances in articles' posted at this URL: <https://echa.europa.eu/guidance-documents/guidance-on-reach>

Compatible Parts



TE Part # T4051210003-003
M8 CABLE RA MALE 1.5M 3P PVC CABLE

Customers Also Bought



TE Part #2273124-2
M8 angled socket to M8 straight plug 2 LED



TE Part #T4033014031-000
M8.FMLE.PNLFRONT.3POS.STR



TE Part #T4071017031-001
M8.FMLE.PNLREAR.3POS.STR WIRE



TE Part #T4171330012-001
M12,FRONT MOUNT,FEMALE,A,12P, 0.2M WIRE



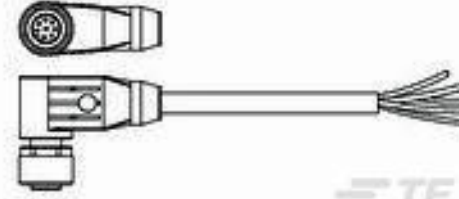
TE Part #2301994-1
RJ45 JACK INT.MAG. 10/100 1X1 INV.



TE Part #2213763-3
AV19 SPL 3A NO LED



TE Part #TCD14745101-020
M12D4-MS-RJ-PUR-22SH-TYPE C GREEN-2.0M



TE Part #2273095-1
M12 x 1.0 angled socket pigtail A



Documents

Product Drawings

[M8 x 1.0 Angled socket Pigtail LED](#)

English

CAD Files

[3D PDF](#)

3D

Customer View Model

[ENG_CVM_CVM_1-2273012-1_A.2d_dxf.zip](#)

English

Customer View Model

[ENG_CVM_CVM_1-2273012-1_A.3d_igs.zip](#)

English

Customer View Model

[ENG_CVM_CVM_1-2273012-1_A.3d_stp.zip](#)

English

By downloading the CAD file I accept and agree to the [Terms and Conditions](#) of use.

Datasheets & Catalog Pages

[M8 / M12 Connector System Catalog](#)

English

Product Specifications

[Application Specification](#)

English