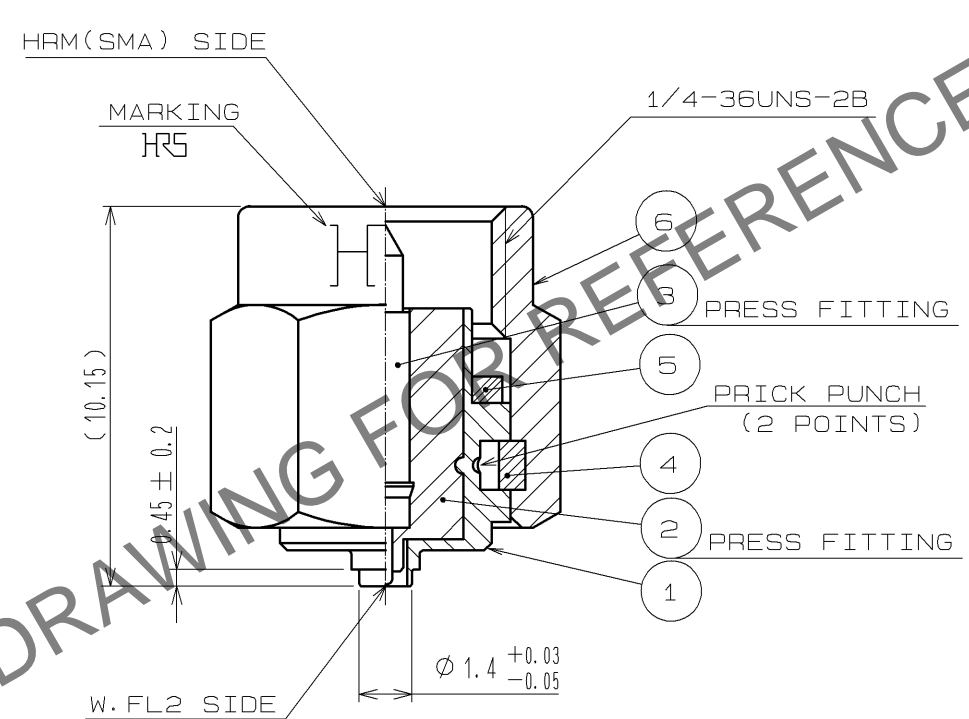
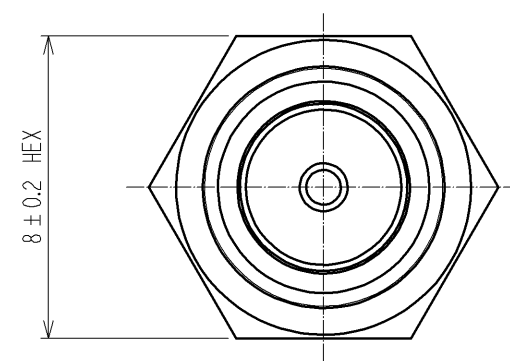


Jun.1.2024 Copyright 2024 HIROSE ELECTRIC CO., LTD. All Rights Reserved.  
 In case of consideration for using Automotive equipment / device which demand high reliability, kindly contact our sales window correspondents.

1 2 3 4

A B C D E F



HRS DRAWING FOR REFERENCE

NOTE. USE ONLY FOR ELECTRICAL MEASUREMENT  
 BECAUSE OF NO LOCKING DEVICE IN MATING  
 PORTION ON W. FL2 SIDE.

RoHS COMPLIANT

3	PHOSPHOR BRONZE	GOLD PLATING	6	STAINLESS STEEL	PASSIVATE
2	PTFE		5	SILICONE RUBBER	(RED)
1	STAINLESS STEEL	NICKEL PLATING	4	BERYLLIUM COPPER	NICKEL PLATING
NO.	MATERIAL	FINISH . REMARKS	NO.	MATERIAL	FINISH . REMARKS

UNITS mm		SCALE 5 : 1	COUNT 	DESCRIPTION OF REVISIONS	DESIGNED	CHECKED	DATE
<b>HRS</b> HIROSE ELECTRIC CO., LTD.		APPROVED : MH. YAMANE 09.02.18		DRAWING NO. EDC4-305238-00			
		CHECKED : NK. NINOMIYA 09.02.17		PART NO. HRMP-W. FL2J			
		DESIGNED : TM. YOSHIDA 09.02.17		CODE NO. CL311-0394-6-00			
		DRAWN : TM. YOSHIDA 09.02.17		1/1			