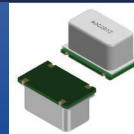


High-Stability & Ultra-Low Phase Noise SMD OCXO/ VCOCXO



AOC2012 Series



ESD Sensitive 

20.32 x 12.7 x 11.0mm
RoHS/RoHS II Compliant
MSL = 1

Features

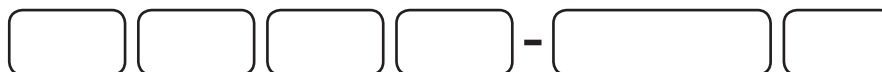
- Extremely low long-term aging: ± 1 ppm over 20 years
- Stability over temperature: ± 10 ppb over -20°C to $+70^{\circ}\text{C}$
- Excellent phase noise:
(-135dBc/Hz typ. @ 100Hz offset, -148dBc/Hz typ. @ 1kHz offset)
- 10.0MHz, 12.8MHz, 19.44MHz, & 25MHz carrier frequency options
- 20.32 x 12.7mm, 4-pin SMD reflow-solderable package
- 3.3 V_{dd} supply
- SC-Cut, High “Q” resonator-based design

Applications

- Stratum 3 & Stratum 3E compliant
- Cellular infrastructure; Base stations
- Test & measurement equipment
- Switches & routers
- Time & frequency references
- Precision GPS

Part Identification

AOC2012



(1): Fixed Clock or Voltage Controlled
X: Fixed Clock
V: Voltage Controlled

(2): V_{dd}
A: 3.3V

(3): Stability over OTR
J: ± 10 ppb over -20°C to $+70^{\circ}\text{C}$

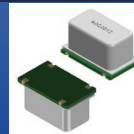
(4): RF Output
C: CMOS

(5): Output Frequency in MHz
Please specify the Frequency in units of MHz out to 4 digit accuracy after the decimal. Example: “10.0000”=10MHz “12.8000”=12.8MHz “19.4400”=19.44MHz “25.0000”=25MHz

(6): Packaging
Blank: Bulk
C: Cut/Tape 50 units
T1: Tape/Reel 100 units

Part Number Example:
AOC2012VAJC-12.8000C

High-Stability & Ultra-Low Phase Noise SMD OCXO/ VCOCXO



AOC2012 Series



ESD Sensitive

20.32 x 12.7 x 11.0mm
RoHS/RoHS II Compliant
MSL = 1

Electrical Specifications

Parameters	Min.	Typical	Max.	Unit	Notes
Frequency Range (Fc)	10.0000		25.0000	MHz	
Standard Available Frequencies	10.0000, 12.8000, 19.4400, 25.0000			MHz	
Operating Temperature Range	-20		+70	°C	
Storage Temperature Range	-40		+100	°C	
Supply Voltage (V _{dd})	+3.135	+3.3	+3.465	V	
Power Consumption (warm-up)			2.5	W	
Current Consumption (warm-up)			722	mA	@ Max V _{dd} = +3.465V
Power Consumption (steady-state @+25°C)			1.0	W	
Current Consumption (steady-state @+25°C)			289	mA	@ Max V _{dd} = +3.465V
Frequency Accuracy (calibration)		≤±300	±500	ppb	See Note 1
Frequency Stability over Operating Temperature Range			±10.0	ppb	See Note 2
Frequency Stability vs. Supply Voltage Change			±3.0	ppb	V _{dd} ±5%; (V _c =constant)
Frequency Stability vs. Load Change			±1.0	ppb	Load=15pF±10%
Aging Daily			±1.0	ppb	
Aging 1 st Year			±100	ppb	
Aging 20 Years			±500	ppb	
All-Inclusive Frequency Tolerance over 20 Year Product Life			±1.0	ppm	See Note 3
Warm-Up Time			3	min.	See Note 4
Output Signal	LVCMOS				
Output Load	13.5	15	16.5	pF	
Duty Cycle	45	50	55	%	@ 50% V _{dd}
Output High Voltage (V _{OH})	V _{OH}	0.9*(V _{dd})		V	Load=15pF±10%; V _{dd} =+3.3V
Output Low Voltage (V _{OL})	V _{OL}		0.1*(V _{dd})		
Rise (Tr) / Fall (Tf) Time			6	ns	
Center Control Voltage (V _c)		+1.65		V	Voltage-Controlled Option (VCOCXO)
Control Voltage Range	+0.0		+3.3	V	
Frequency Pullability	±0.7			ppm	
Control Port Input Impedance	50			kΩ	
EFC Linearity			±10	%	
Tuning Slope	Positive Monotonic				
Phase Noise (@ +25°C)		-115		dBc/Hz	Offset @10Hz
		-135			Offset @100Hz
		-148			Offset @1kHz
		-152			Offset @10kHz

Note 1: @ +25°C; initial set-tolerance frequency (relative to carrier) at time of shipment, pre-reflow

Note 2: Over -40°C to +85°C; relative to stabilized frequency after 1 hour of continuous operation, post-reflow

Note 3: Over -40°C to +85°C; includes stability over temperature, initial frequency accuracy (calibration), load pulling, power supply variation, and 20 years aging

Note 4: @ +25°C; within ±100ppb of F where F is the stabilized frequency reached after 1 hour of continuous operation

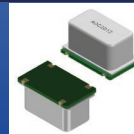


5101 Hidden Creek Ln Spicewood TX 78669
Phone: 512-371-6159 | Fax: 512-351-8858
For terms and conditions of sales, please visit:
www.abracon.com

REVISED: 03-19-19

ABRACON IS
ISO9001-2015
CERTIFIED

High-Stability & Ultra-Low Phase Noise SMD OCXO/ VCOCXO



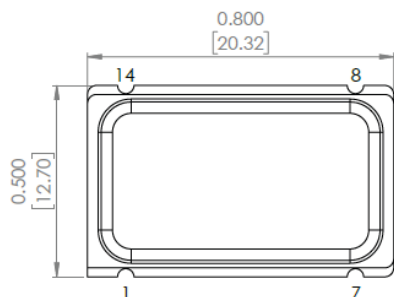
AOC2012 Series



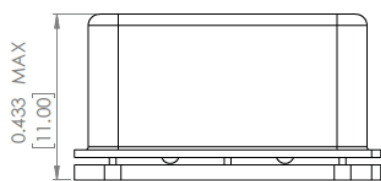
ESD Sensitive

20.32 x 12.7 x 11.0mm
RoHS/RoHS II Compliant
MSL = 1

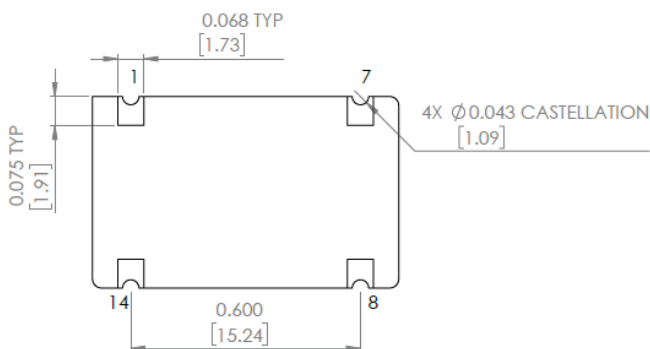
Mechanical Dimensions



TOP VIEW

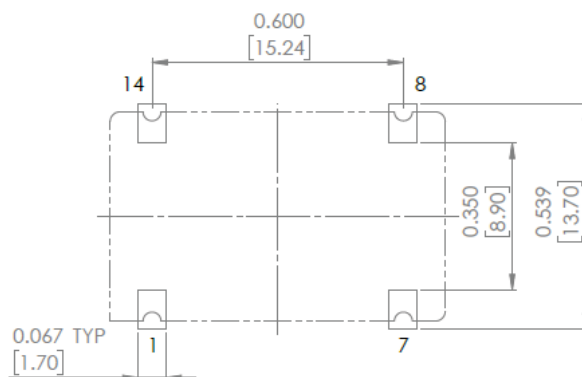


SIDE VIEW



BOTTOM VIEW

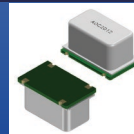
RECOMMENDED LAND PATTERN



Pin #	Function
#1	Option V: Voltage-Control (V _c) Option X: No Connect
#7	0V & CASE GROUND
#8	Output
#14	Supply Voltage (V _{dd})

Dimensions: inches [mm]

High-Stability & Ultra-Low Phase Noise SMD OCXO/ VCOCXO



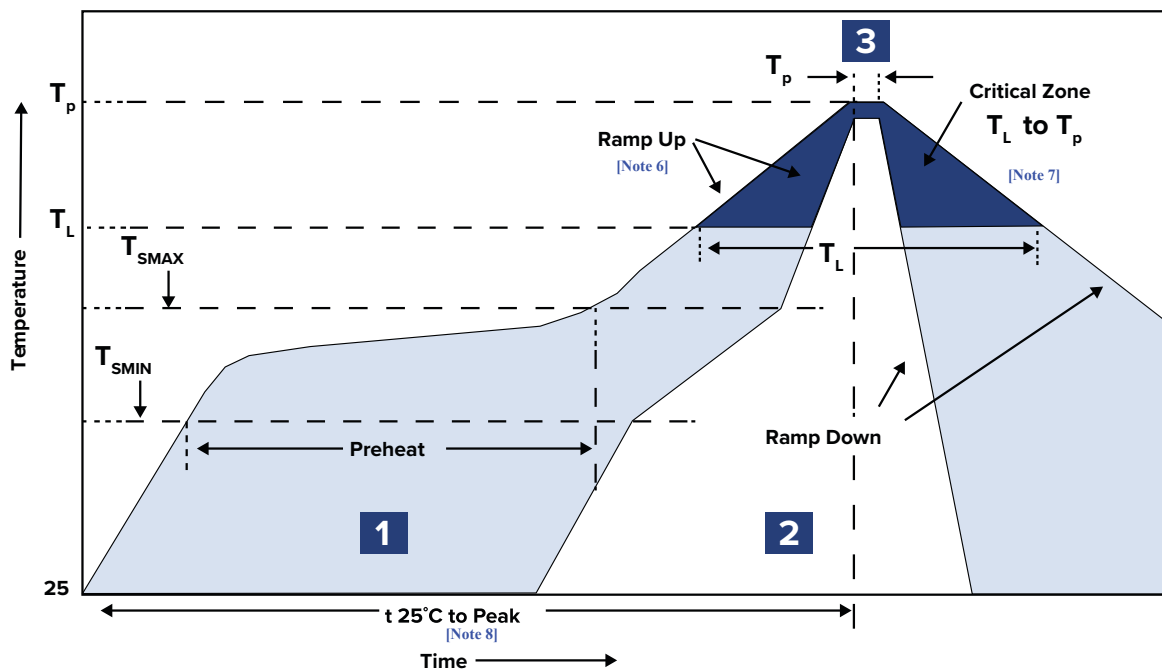
AOC2012 Series



ESD Sensitive

20.32 x 12.7 x 11.0mm
RoHS/RoHS II Compliant
MSL = 1

Recommended Reflow Profile ^[Note 5]



Zone	Description	Temperature	Time
1	Preheat / Soak	$T_{SMIN} \sim T_{SMAX}$ 150°C ~ 200°C	60 ~ 180 sec.
2	Reflow	T_L 217°C	60 ~ 150 sec.
3	Peak heat	T_P 260°C±5°C	20 ~ 40 sec.

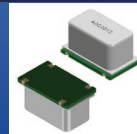
Note 5: Can withstand 2 times reflow; all temperatures refer to topside of the package, measured on the package body surface

Note 6: Ramp Up Rate ($T_L \rightarrow T_P$) = 3°C / sec. MAX

Note 7: Ramp Down Rate ($T_P \rightarrow T_L$) = 6°C / sec. MAX

Note 8: Time 25°C to Peak Temperature (25°C \rightarrow T_P) = 8 minutes MAX

High-Stability & Ultra-Low Phase Noise SMD OCXO/ VCOCXO



AOC2012 Series



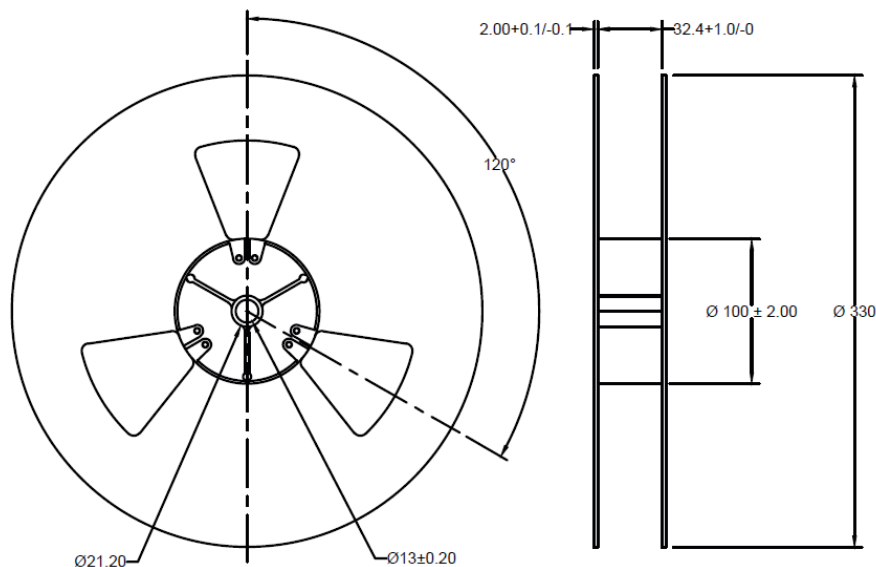
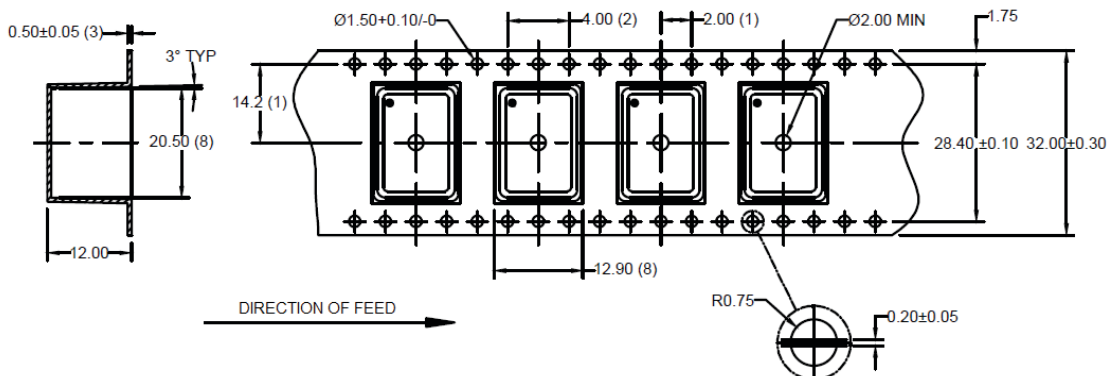
ESD Sensitive

20.32 x 12.7 x 11.0mm
RoHS/RoHS II Compliant
MSL = 1

Packaging

C = Cut Tape 50 units

T1 = Tape & Reel 100 units/reel



Dimensions: mm

ATTENTION: Abracon LLC's products are COTS – Commercial-Off-The-Shelf products; suitable for Commercial, Industrial and, where designated, Automotive Applications. Abracon's products are not specifically designed for Military, Aviation, Aerospace, Life-dependent Medical applications or any application requiring high reliability where component failure could result in loss of life and/or property. For applications requiring high reliability and/or presenting an extreme operating environment, written consent and authorization from Abracon LLC is required. Please contact Abracon LLC for more information.



5101 Hidden Creek Ln Spicewood TX 78669
Phone: 512-371-6159 | Fax: 512-351-8858
For terms and conditions of sales, please visit:
www.abracon.com

REVISED: 03-19-19

ABRACON IS
ISO9001-2015
CERTIFIED