



180-091 (T7) Square Flange Wall Mount Receptacle Advanced Fiber Optic Connector MIL-DTL-38999 Series III Type with Threaded Insert Holes

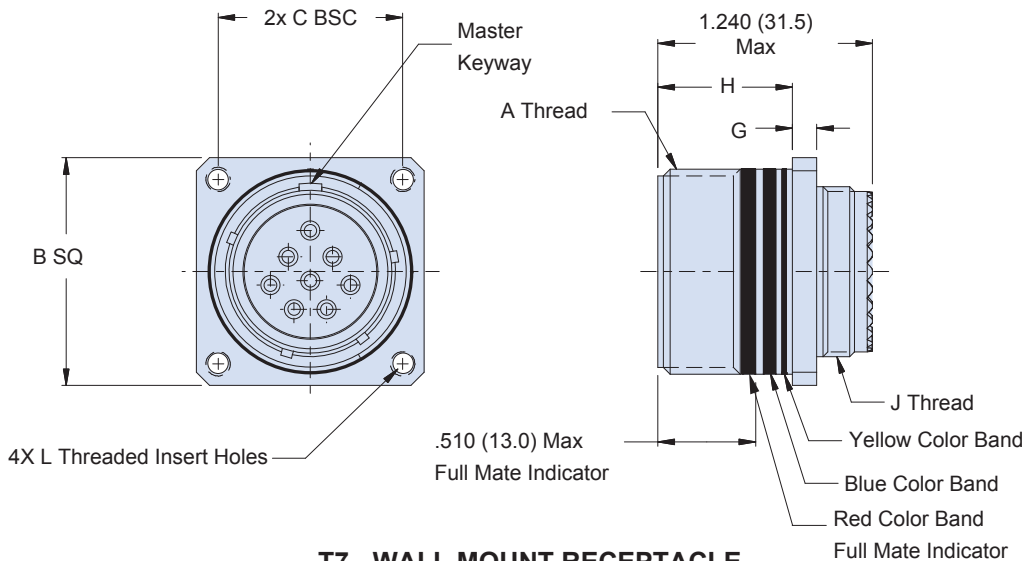


B

MIL-DTL-38999 type advanced fiber optic receptacle connector



| How To Order 180-091 | | | | | | |
|-------------------------|---|----|----|-------|---|---|
| Sample Part Number | 180-091 | XW | T7 | -17-8 | P | N |
| Series / Basic Part No. | D38999 Series III Type | | | | | |
| Material/Finish | See Material/Finish Table | | | | | |
| Connector Style | T7 = Wall Mount Receptacle with Threaded insert holes | | | | | |
| Shell Size/Insert Arr. | IAW MIL-DTL-38999 Series III, Per MIL-STD-1560 | | | | | |
| Insert Designation | P = Pin S = Socket | | | | | |
| Alternate Key Position | A, B, C, D, E, N = Normal; Per MIL-DTL-38999 | | | | | |



**T7 - WALL MOUNT RECEPTACLE
SQUARE FLANGE WITH THREADED INSERT HOLES**

MATERIAL AND FINISH

Shell: See Material and Finish Table
Insulator: High Grade Rigid Dielectric
Seals: Fluorosilicone

NOTES

Insert arrangement in accordance with MIL-STD-1560, See Page B-12
For recommended panel cutout, See Page B-13

**180-091 (T7) Square Flange Wall Mount Receptacle
Advanced Fiber Optic Connector
MIL-DTL-38999 Series III Type with Threaded Insert Holes**



MIL-DTL-38999
Series III Type

B

| Dimensions | | | | | | | | |
|-----------------|------------|----------------------|------------------------------|--------------|----------------------------|----------------------------|---------------------|-------------------------|
| Shell Size Code | Shell Size | A Thread | B SQ | C BSC | G | H | J Thread | L Threaded Insert Holes |
| B | 11 | .7500-.1P-.3L-TS-2A | 1.043 (26.5) 1.019 (25.9) | .812 (20.6) | .144 (3.7) .083 (2.1) | .823 (20.9) .768 (19.5) | M15 x 1.0-6g 0.100R | .112-40 UNC-2B |
| C | 13 | .8750-.1P-.3L-TS-2A | 1.138 (28.9) 1.114 (28.3) | .906 (23.0) | .144 (3.7) .083 (2.1) | .823 (20.9) .768 (19.5) | M18 x 1.0-6g 0.100R | .112-40 UNC-2B |
| D | 15 | 1.0000-.1P-.3L-TS-2A | 1.232 (31.3) 1.208 (30.7) | .969 (24.6) | .144 (3.7) .083 (2.1) | .823 (20.9) .768 (19.5) | M22 x 1.0-6g 0.100R | .112-40 UNC-2B |
| E | 17 | 1.1875-.1P-.3L-TS-2A | 1.323 (33.6) 1.299 (33.0) | 1.062 (27.0) | .144 (3.7) .083 (2.1) | .823 (20.9) .768 (19.5) | M25 x 1.0-6g 0.100R | .112-40 UNC-2B |
| F | 19 | 1.2500-.1P-.3L-TS-2A | 1.449 (36.8) 1.425 (36.2) | 1.156 (29.4) | .144 (3.7) .083 (2.1) | .823 (20.9) .768 (19.5) | M28 x 1.0-6g 0.100R | .112-40 UNC-2B |
| G | 21 | 1.3750-.1P-.3L-TS-2A | 1.575 (40.0) 1.551 (39.4) | 1.250 (31.8) | .171 (65.2) .083 (39.8) | .791 (20.0) .736 (18.7) | M31 x 1.0-6g 0.100R | .112-40 UNC-2B |
| H | 23 | 1.5000-.1P-.3L-TS-2A | 1.701 (43.2) 1.677 (42.6) | 1.375 (34.9) | .171 (65.2) .083 (39.8) | .791 (20.0) .736 (18.7) | M34 x 1.0-6g 0.100R | .138-32 UNC-2B |
| J | 25 | 1.6250-.1P-.3L-TS-2A | 1.823 (46.3) 1.799 (45.7) | 1.500 (38.1) | .171 (65.2) .083 (39.8) | .791 (20.0) .736 (18.7) | M37 x 1.0-6g 0.100R | .138-32 UNC-2B |

| Code | Material | Finish Description |
|------------|---------------------|---------------------------|
| M | Aluminum Alloy | Electroless Nickel |
| MT | | Nickel - PTFE, Grey |
| NF | | Cadmium, Olive Drab |
| ZN | | Zinc-Nickel, Olive Drab |
| ZNU | | Zinc-Nickel, Black |
| ZR | | Zinc-Nickel, Black (RoHS) |
| XM | | Composite |
| XMT | Nickel - PTFE, Grey | |
| XW | Cadmium, Olive Drab | |
| XZN | Zinc-Nickel, Black | |
| MS | Stainless Steel | Electroless Nickel |
| ZL | | Electro-Deposited Nickel |
| Z1 | | Passivate |
| AB | Marine Bronze | None (Clean Only) |

Refer to Appendix for material/finish details

Mouser Electronics

Authorized Distributor

Click to View Pricing, Inventory, Delivery & Lifecycle Information:

[Glenair:](#)

[180-091MT7-13-4SN](#) [180-091MT7-17-8SN](#) [180-091MT7-19-11PN](#) [180-091MT7-19-11SN](#) [180-091XWT7-13-4PN](#)
[180-091MT7-21-16SN](#) [180-091MT7-21-16PN](#)