

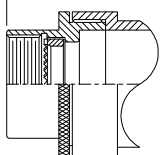
CONNECTOR DESIGNATORS
A-B*-C-D-E-F
G-H-J-K-L-S

* Conn. Desig. B See Note 5

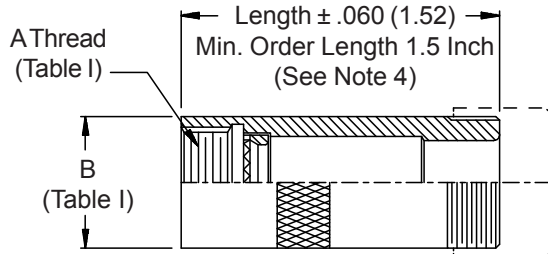
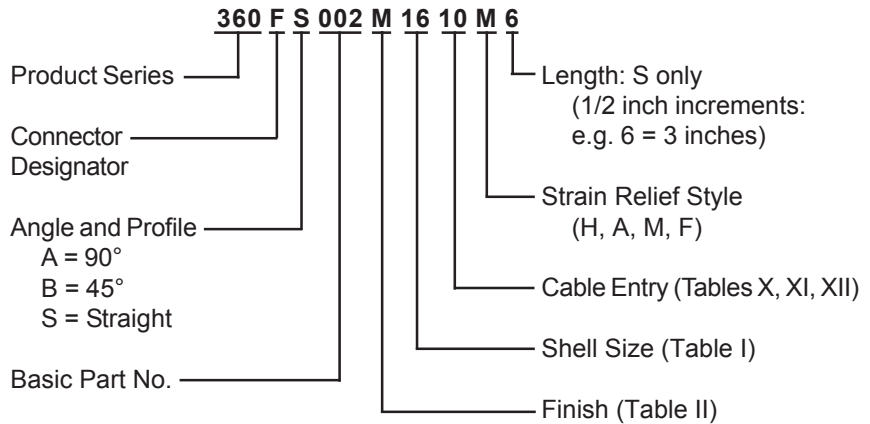
DIRECT COUPLING

Length ± .060 (1.52)

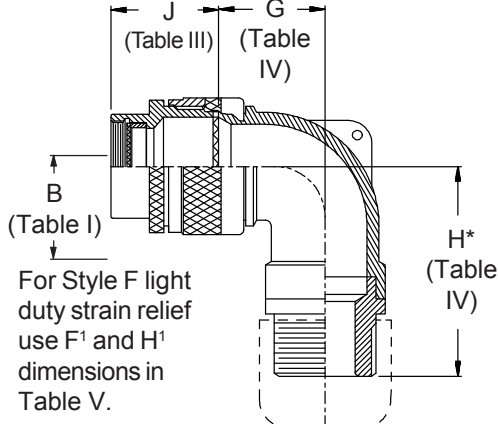
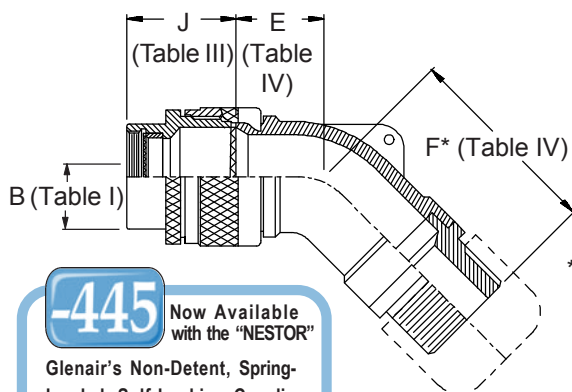
Min. Order Length 2.0 Inch
 (See Note 4)



STYLE 2
 (STRAIGHT - See Note 1)



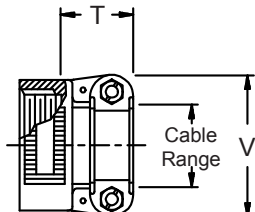
1. When maximum cable entry (page 22) is exceeded, Style 2 will be supplied. (straight only.)
2. Metric dimensions (mm) are indicated in parentheses.
3. Cable range is defined as the accommodations range for the wire bundle or cable. Dimensions shown are not intended for inspection criteria.
4. Consult factory for shorter lengths on straight backshells.
5. When using Connector Designator B refer to pages 18 and 19 for part number development.



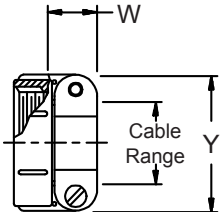
* For Style F light duty strain relief use F¹ and H¹ dimensions in Table V.

-445 Now Available with the "NESTOR"
 Glenair's Non-Detent, Spring-Loaded, Self-Locking Coupling. Add "-445" to Specify This AS85049 Style "N" Coupling Interface.

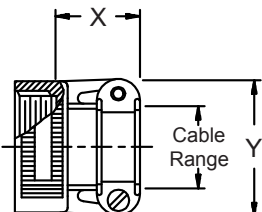
STYLE H
 Heavy Duty
 (Table X)



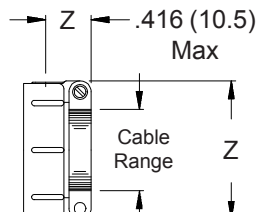
STYLE A
 Medium Duty
 (Table XI)



STYLE M
 Medium Duty
 (Table XI)



STYLE F
 Light Duty
 (Table XII)



360-002
Non-Environmental Backshell
with Strain Relief
Low Profile - Direct Coupling



TABLE III: FRONT ADAPTER

J Max - Conn. Designator

| Shell Size | A-E-F | | |
|------------|--------------|--------------|--------------|
| | J-H-L-S | D-B-G-K | C |
| 08/09 | 1.180 (30.0) | 1.440 (36.6) | |
| 10/11 | 1.180 (30.0) | 1.440 (36.6) | |
| 12/13 | 1.180 (30.0) | 1.440 (36.6) | 1.735 (44.1) |
| 14/15 | 1.180 (30.0) | 1.440 (36.6) | 1.915 (48.6) |
| 16/17 | 1.380 (35.0) | 1.560 (39.6) | 1.915 (48.6) |
| 18/19 | 1.380 (35.0) | 1.560 (39.6) | 1.915 (48.6) |
| 20/21 | 1.380 (35.0) | 1.560 (39.6) | 1.915 (48.6) |
| 22/23 | 1.380 (35.0) | 1.560 (39.6) | 1.915 (48.6) |
| 24/25 | 1.380 (35.0) | 1.560 (39.6) | 1.915 (48.6) |
| 28/29 | 1.610 (40.9) | 1.560 (39.6) | 1.915 (48.6) |
| 32/33 | 1.610 (40.9) | 1.750 (44.5) | 1.915 (48.6) |
| 36 | 1.610 (40.9) | 1.750 (44.5) | 1.915 (48.6) |
| 40 | 1.610 (40.9) | 2.190 (55.6) | 1.915 (48.6) |

See inside back cover fold-out or pages 13 and 14 for unabridged Tables I and II.

TABLE IV: ELBOW DIMENSIONS

| Elbow Size | E | F | G | H |
|------------|--------------|--------------|--------------|--------------|
| | Max | Max | Max | Max |
| 04 | .567 (14.4) | 1.187 (30.1) | .636 (16.2) | 1.200 (30.5) |
| 06 | .630 (16.0) | 1.250 (31.8) | .710 (18.0) | 1.320 (33.5) |
| 08 | .692 (17.6) | 1.312 (33.3) | .731 (18.6) | 1.340 (34.0) |
| 10 | .755 (19.2) | 1.655 (42.0) | .825 (21.0) | 1.660 (42.2) |
| 12 | .848 (21.5) | 1.765 (44.8) | .988 (25.1) | 1.950 (49.5) |
| 16 | 1.036 (26.3) | 1.952 (49.6) | 1.087 (27.6) | 2.033 (51.6) |
| 20 | 1.130 (28.7) | 2.098 (53.3) | 1.325 (33.7) | 2.033 (51.6) |
| 24 | 1.255 (31.9) | 2.155 (54.7) | 1.337 (34.0) | 2.200 (55.9) |
| 28 | 1.317 (33.5) | 2.250 (57.2) | 1.827 (46.4) | 2.450 (62.2) |
| 32 | 1.348 (34.2) | 2.343 (59.5) | 2.027 (51.5) | 2.450 (62.2) |

TABLE X: CABLE ENTRY

| Dash No. | T Max | V Max | Cable Range | |
|----------|--------------|--------------|--------------|--------------|
| | | | Min | Max |
| 04 | .780 (19.8) | .957 (24.3) | .125 (3.2) | .312 (7.9) |
| 06 | .780 (19.8) | 1.145 (29.1) | .250 (6.4) | .437 (11.1) |
| 08 | .780 (19.8) | 1.332 (33.8) | .312 (7.9) | .562 (14.3) |
| 10 | .780 (19.8) | 1.332 (33.8) | .350 (8.9) | .625 (15.9) |
| 12 | .811 (20.6) | 1.551 (39.4) | .500 (12.7) | .750 (19.1) |
| 16 | .905 (23.0) | 1.770 (45.0) | .625 (15.9) | .937 (23.8) |
| 20 | 1.092 (27.7) | 2.113 (53.7) | .875 (22.2) | 1.250 (31.8) |
| 24 | 1.124 (28.5) | 2.363 (60.0) | 1.000 (25.4) | 1.375 (34.9) |
| 28 | 1.399 (35.5) | 2.770 (70.4) | 1.250 (31.8) | 1.625 (41.3) |
| 32 | 1.399 (35.5) | 3.020 (76.7) | 1.437 (36.5) | 1.875 (47.6) |

TABLE XII: CABLE ENTRY

| Dash No. | Z Max | Cable Range | |
|----------|--------------|--------------|--------------|
| | | Min | Max |
| 02 | .968 (24.6) | .125 (3.2) | .250 (6.4) |
| 03 | 1.046 (26.6) | .250 (6.4) | .375 (9.5) |
| 04 | 1.156 (29.4) | .312 (7.9) | .500 (12.7) |
| 05 | 1.218 (30.9) | .437 (11.1) | .625 (15.9) |
| 06 | 1.343 (34.1) | .562 (14.3) | .750 (19.1) |
| 07 | 1.468 (37.3) | .687 (17.4) | .875 (22.2) |
| 08 | 1.593 (40.5) | .812 (20.6) | 1.000 (25.4) |
| 10 | 1.843 (46.8) | 1.062 (27.0) | 1.250 (31.8) |

TABLE XI: CABLE ENTRY

| Dash No. | W Max | X Max | Y Max | Cable Range | |
|----------|--------------|--------------|--------------|--------------|--------------|
| | | | | Min | Max |
| 03* | .437 (11.1) | .760 (19.3) | .843 (21.4) | .156 (4.0) | .250 (6.4) |
| 04* | .437 (11.1) | .760 (19.3) | .906 (23.0) | .188 (4.8) | .312 (7.9) |
| 06* | .500 (12.7) | .760 (19.3) | 1.093 (27.8) | .281 (7.1) | .438 (11.1) |
| 08 | .563 (14.3) | .760 (19.3) | 1.187 (30.1) | .344 (8.7) | .562 (14.3) |
| 10 | .563 (14.3) | .760 (19.3) | 1.281 (32.5) | .375 (9.5) | .625 (15.9) |
| 12 | .563 (14.3) | .760 (19.3) | 1.500 (38.1) | .438 (11.1) | .750 (19.1) |
| 16 | .656 (16.7) | 1.073 (27.3) | 1.719 (43.7) | .562 (14.3) | .938 (23.8) |
| 20 | .656 (16.7) | 1.323 (33.6) | 2.062 (52.4) | .750 (19.1) | 1.250 (31.8) |
| 24 | .656 (16.7) | 1.323 (33.6) | 2.312 (58.7) | .781 (19.8) | 1.375 (34.9) |
| 28 | 1.188 (30.2) | 1.572 (39.9) | 2.719 (69.1) | .969 (24.6) | 1.625 (41.3) |
| 32* | 1.187 (30.1) | 1.572 (39.9) | 2.969 (75.4) | 1.125 (28.6) | 1.875 (47.6) |
| 40* | 1.125 (28.6) | 1.572 (39.9) | 3.531 (89.7) | 1.469 (37.3) | 2.375 (60.3) |

* Not available in Style M clamp.

TABLE V: ELBOW

| Elbow Size | F ¹ |
|------------|----------------|
| | Max |
| 04 | 1.550 (39.4) |
| 06 | 1.610 (40.9) |
| 08 | 1.670 (42.4) |
| 10 | 1.760 (44.7) |
| 12 | 1.870 (47.5) |
| 16 | 2.060 (52.3) |
| 20 | 2.210 (56.1) |

| Elbow Size | H ¹ |
|------------|----------------|
| | Max |
| 04 | 1.560 (39.6) |
| 06 | 1.680 (42.7) |
| 08 | 1.700 (43.2) |
| 10 | 1.770 (45.0) |
| 12 | 1.860 (47.2) |
| 16 | 2.030 (51.6) |
| 20 | 2.140 (54.4) |

Mouser Electronics

Authorized Distributor

Click to View Pricing, Inventory, Delivery & Lifecycle Information:

Glenair:

[360BS002B1612A3A](#) [360HA002NF1508A](#) [360HS002M1308M5](#) [360HS002M1912M5](#) [360AS002B1410A3](#)
[360AS002B1416A3](#) [360AS002M1410A3](#) [360AS002N1006D4-128-3](#) [360BS002B0806A3A](#) [360BS002B1812A5N](#)
[360BS002B2224A4A](#) [360BS002B3128H8A](#) [360BS002N1512A6A](#) [360DA002N1804A](#) [360DA002NF1008M](#)
[360DA002NF1204A](#) [360DS002B0804A3](#) [360DS002B0806A4](#) [360DS002B1408A6](#) [360DS002M0804H3](#)
[360DS002M1612H3](#) [360DS002M1810H3](#) [360DS002M2412M4-722](#) [360DS002N1010H4](#) [360DS002N1408A5](#)
[360DS002N1616M6](#) [360FS002N1606A4](#) [360HA002M1707F](#) [360HS002B1306A3C](#) [360HS002B1506A4](#)
[360HS002M2316A5](#) [360HS002M2516A8](#) [360HS002N1108M4](#) [360HS002Z11106H4](#) [360RS002B2016H4](#)
[360XS002B0303A2-706B](#) [360XS002B1206A3-706B](#) [360AA002B0806A](#) [360AS002B1006A4](#) [360AS002B1006H4](#)
[360AS002B1008H3](#) [360AS002B1008H6](#) [360AS002B1204H3](#) [360AS002B1206H6](#) [360AS002B1208H3](#)
[360AS002B1208H4](#) [360AS002B1208H6](#) [360AS002B1406H3](#) [360AS002B1406H6](#) [360AS002B1408H3](#)
[360AS002B1408H4](#) [360AS002B1408H6](#) [360AS002B1410H3](#) [360AS002B1410H4](#) [360AS002B1410H6](#)
[360AS002B1412H6](#) [360AS002B1606H6](#) [360AS002B1608H6](#) [360AS002B1610H3](#) [360AS002B1610H4](#)
[360AS002B1610H6](#) [360AS002B1612H6](#) [360AS002B1808H3](#) [360AS002B1810H3](#) [360AS002B1810H4](#)
[360AS002B1810H6](#) [360AS002B2010H3](#) [360AS002B2010H6](#) [360AS002B2210H3](#) [360AS002B2210H6](#)
[360AS002B2212H3](#) [360AS002B2212H6](#) [360AS002B2212M3](#) [360AS002B2404H6](#) [360AS002B2412H3](#)
[360AS002M0804A2](#) [360AS002M0804A4](#) [360AS002M1004A3](#) [360AS002M1008A3](#) [360AS002M1204A4](#)
[360AS002M1404A5](#) [360AS002M1416A4](#) [360AS002M1604A3](#) [360AS002M1608H3](#) [360AS002M2012H3](#)
[360AS002M3220A3](#) [360AS002M6116A4](#) [360AS002N0803A3](#) [360AS002N1408H4](#) [360AS002NF2216M3](#)
[360AS002U1604A3](#) [360BA002B1508AA-7A](#) [360BA002B2016HA](#) [360BA002B2216HA](#) [360BB002UC2116AA](#)
[360BJ002N1404HA-49](#) [360BS002B0808A6A](#) [360BS002B1006A3L](#) [360BS002B1206A5N](#) [360BS002B1404A3A](#)