



# 180-091 (S7) Square Flange Wall Mount Receptacle Advanced Fiber Optic Connector MIL-DTL-38999 Series III Type with Slotted Holes

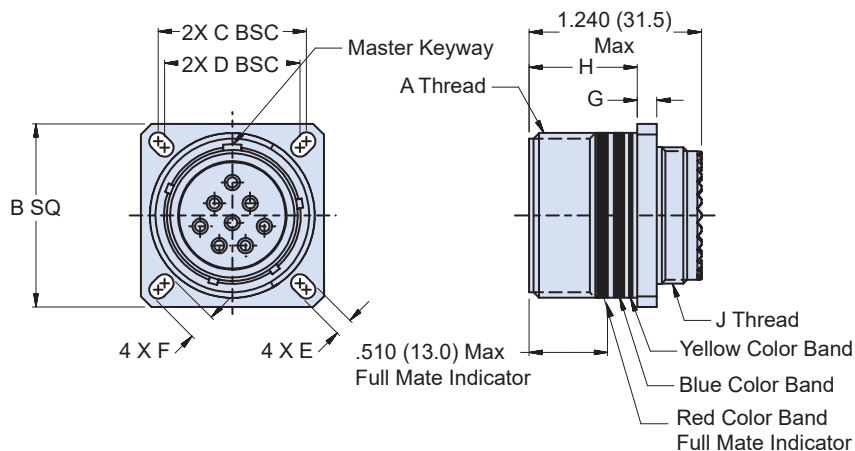
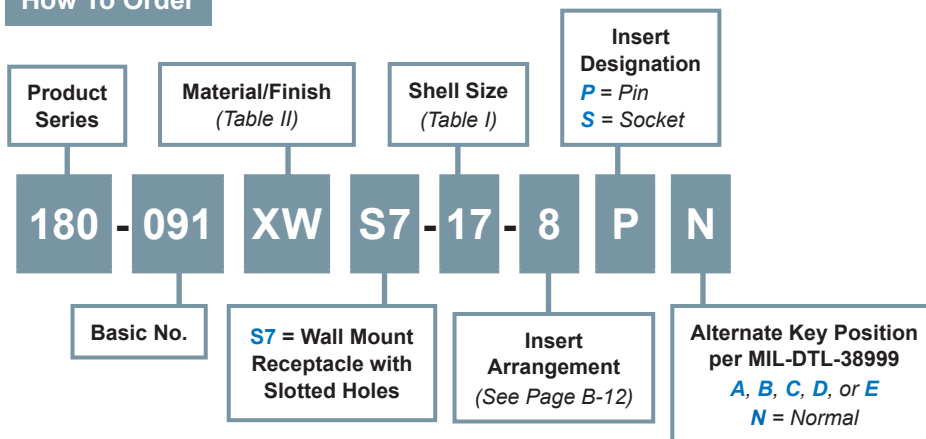
D38999  
Series III

B

## MIL-DTL-38999 type advanced fiber optic receptacle connector



### How To Order



**S7 - WALL MOUNT RECEPTACLE WITH SQUARE FLANGE AND SLOTTED HOLES**

### Notes

1. Insert arrangement in accordance with MIL-STD-1560, See Page B-12.
2. Blue Color Band indicates rear release retention system.
3. For appropriate Glenair Terminus part numbers, see Glenair Drawing 181-001 and 181-002.
4. For recommended panel cutout, See Page B-13

5. S7 wall mount receptacle can be front panel mounted using cut out dimensions R1 or R2 on page C-11. Dimension R2 is for use with S7 wall mount receptacle only.

### Material and Finish

Shell: See Table II  
Insulator: High Grade Rigid Dielectric  
Seals: Fluorosilicone

**180-091 (S7) Square Flange Wall Mount Receptacle  
Advanced Fiber Optic Connector  
MIL-DTL-38999 Series III Type with Slotted Holes**



MIL-DTL-38999  
Series III Type

**B**

**Table I**

Shell Size Code	Shell Size	A Thread	B SQ	C BSC	D BSC	E	F	G	H	J Thread
A	9	.6250-.1P-.3L-TS-2A	.949 (24.1) .929 (23.6)	.719 (18.3)	.594 (15.1)	.136 (3.5) .120 (3.0)	.216 (5.5)	.144 (3.7) .083 (2.1)	.823 (20.9) .768 (19.5)	M12 x 1.0-6g 0.100R
B	11	.7500-.1P-.3L-TS-2A	1.043 (26.5) 1.019 (25.9)	.812 (20.6)	.719 (18.3)	.136 (3.5) .120 (3.0)	.202 (5.1) .186 (4.7)	.144 (3.7) .083 (2.1)	.823 (20.9) .768 (19.5)	M15 x 1.0-6g 0.100R
C	13	.8750-.1P-.3L-TS-2A	1.138 (28.9) 1.114 (28.3)	.906 (23.0)	.812 (20.6)	.136 (3.5) .120 (3.0)	.202 (5.1) .186 (4.7)	.144 (3.7) .083 (2.1)	.823 (20.9) .768 (19.5)	M18 x 1.0-6g 0.100R
D	15	1.0000-.1P-.3L-TS-2A	1.232 (31.3) 1.208 (30.7)	.969 (24.6)	.906 (23.0)	.136 (3.5) .120 (3.0)	.181 (4.6) .165 (4.2)	.144 (3.7) .083 (2.1)	.823 (20.9) .768 (19.5)	M22 x 1.0-6g 0.100R
E	17	1.1875-.1P-.3L-TS-2A	1.323 (33.6) 1.299 (33.0)	1.062 (27.0)	.969 (24.6)	.136 (3.5) .120 (3.0)	.202 (5.1) .186 (4.7)	.144 (3.7) .083 (2.1)	.823 (20.9) .768 (19.5)	M25 x 1.0-6g 0.100R
F	19	1.2500-.1P-.3L-TS-2A	1.449 (36.8) 1.425 (36.2)	1.156 (29.4)	1.062 (27.0)	.136 (3.5) .120 (3.0)	.202 (5.1) .186 (4.7)	.144 (3.7) .083 (2.1)	.823 (20.9) .768 (19.5)	M28 x 1.0-6g 0.100R
G	21	1.3750-.1P-.3L-TS-2A	1.575 (40.0) 1.551 (39.4)	1.250 (31.8)	1.156 (29.4)	.136 (3.5) .120 (3.0)	.202 (5.1) .186 (4.7)	.171 (65.2) .083 (39.8)	.791 (20.0) .736 (18.7)	M31 x 1.0-6g 0.100R
H	23	1.5000-.1P-.3L-TS-2A	1.701 (43.2) 1.677 (42.6)	1.375 (34.9)	1.250 (31.8)	.162 (4.1) .146 (3.7)	.250 (6.4) .234 (5.9)	.171 (65.2) .083 (39.8)	.791 (20.0) .736 (18.7)	M34 x 1.0-6g 0.100R
J	25	1.6250-.1P-.3L-TS-2A	1.823 (46.3) 1.799 (45.7)	1.500 (38.1)	1.375 (34.9)	.162 (4.1) .146 (3.7)	.250 (6.4) .234 (5.9)	.171 (65.2) .083 (39.8)	.791 (20.0) .736 (18.7)	M37 x 1.0-6g 0.100R

Code	Material	Finish Description
M	Aluminum Alloy	Electroless Nickel
MT		Nickel - PTFE, Grey
NF		Cadmium, Olive Drab
ZN		Zinc-Nickel, Olive Drab
ZNU		Zinc-Nickel, Black
ZR		Zinc-Nickel, Black (RoHS)
XM	Composite	Electroless Nickel
XMT		Nickel - PTFE, Grey
XW		Cadmium, Olive Drab
XZN		Zinc-Nickel, Black
MS	Stainless Steel	Electroless Nickel
ZL		Electro-Deposited Nickel
ZI		Passivate
AB	Marine Bronze	None (Clean Only)

Refer to Appendix for material/finish details

# Mouser Electronics

Authorized Distributor

Click to View Pricing, Inventory, Delivery & Lifecycle Information:

## Glenair:

[180-091NFS7-11-2PN](#) [180-091NFS7-17-8SN](#) [180-091NFS7-21-16PN](#) [180-091NFS7-21-16SN](#) [180-091XMS7-17-8PA](#) [180-091XMS7-19-11PN](#) [180-091XMS7-17-8PN](#) [180-091MS7-11-2PA](#) [180-091MS7-11-2PN](#) [180-091MS7-19-11SN](#) [180-091NFS7-13-4SN](#) [180-091NFS7-17-8PN](#) [180-091NFS7-17-8SA](#) [180-091NFS7-19-11PN](#) [180-091NFS7-19-11SN](#) [180-091NFS7-23-21SN](#) [180-091NFS7-25-29PA](#) [180-091NFS7-25-29PC](#) [180-091NFS7-25-29SB](#) [180-091NFS7-25-29SC](#) [180-091NFS7-25-29SE](#) [180-091XMS7-13-4SN](#) [180-091XMS7-17-8PB](#) [180-091XWS7-13-4SN](#) [180-091MS7-17-8PN](#) [180-091NFS7-23-21PN](#) [180-091XMS7-11-2PN](#) [180-091XMS7-13-4PA](#) [180-091XMS7-13-4PN](#) [180-091XMS7-17-8SN](#) [180-091XMS7-19-11SN](#) [180-091XMS7-21-16PN](#) [180-091XMS7-21-16SN](#) [180-091XMS7-23-21PN](#) [180-091XMS7-25-29PN](#) [180-091XMS7-25-37SN](#) [180-091NFS7-25-29SA](#) [180-091NFS7-25-29SN](#) [180-091XMS7-25-37PN](#)