



RJ45 CAT 5E ETHERNET

MIL-DTL-38999 Series III Type Connectors



233-300 Coupler with Accessory Threads and RJ45 Plug-to-Jack (plug) or Jack-to-Jack (Receptacle)



Plug Front View



Receptacle Front View



Receptacle Rear View

Material and Finish¹

NF	Aluminum/Cadmium, Olive Drab
ME	Aluminum/Electroless Nickel
MT	Aluminum/Nickel PTFE
ZR	Aluminum/Black Zinc-Nickel

NOTES

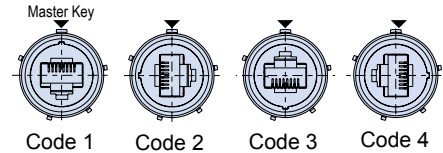
- See Section A for alternate key positions, panel cutout dimensions
- G option is inline shielded and grounded to shell, available for receptacle only
- Connector style 00 & 01 with slotted hole is front panel mount only
- Meets IP67 in unmated condition, IP68 mated
- For shrink boot see part number 770-028
- Receptacles are JACK-JACK and plugs are PLUG-JACK configurations

How to Order									
Sample Part Number	233-300	NF	00	G	17	5H	N	1	T
Basic Number	233-300								
Finish	See Material and Finish table								
Connector Style¹	See Connector Style table								
Insert-to-Shell Grounding	- = Inline shielded RJ45 insert G = Shielded and grounded to shell ²								
Shell Size	17 or 19								
RJ45 Category	5H = Cat 5E For Cat 6A applications consult factory								
Alternate Key Position¹	Per MIL-DTL-38999 A, B, C, D, E, N = Normal								
RJ45 Orientation	1, 2, 3, or 4								
Shrink Boot	T = Part No. 770-028 (Omit for None)								

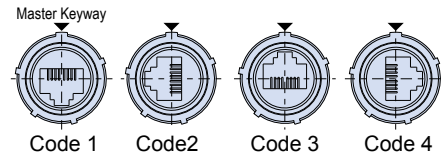
Connector Style¹

00	Wall mount receptacle with slotted holes ³
01	Wall mount receptacle with slotted holes and metal cable gland ³
05	Inline Receptacle
07	rear panel mount, jam nut receptacle
08	In-line receptacle with metal cable gland
D0	Wall mount receptacle with round holes
D1	Wall mount receptacle with round holes and metal gland
CM	Wall mount receptacle with metric clinch nuts
CG	Wall mount receptacle with metric clinch nuts and metal gland
CS	Wall Mount Receptacle with standard clinch nuts
G6	plug
G7	plug with metal cable gland ⁵

RJ45 Orientation Options (Plug Face)



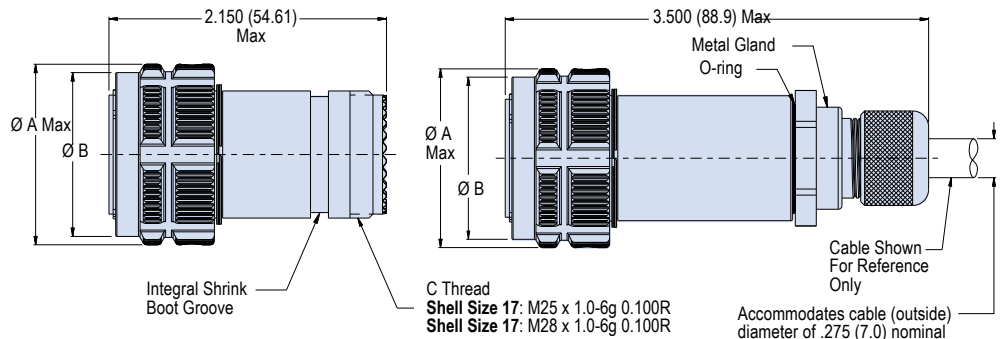
RJ45 Orientation Options (Receptacle Face)



All external dimensions, features, etc. compliant with D38999/20, /24, &/26. Consult factory for additional information.

G6 - PLUG WITH INTEGRAL SHRINK BOOT AND G7 - PLUG WITH METAL GLAND

G6 and G7 - plug Dimensions				
Shell Size	A Dia Max		B Dia	
	in	mm	in	mm
17	1.406	35.71	1.276	32.41
			1.268	32.21
19	1.516	38.51	1.382	35.10
			1.374	34.90





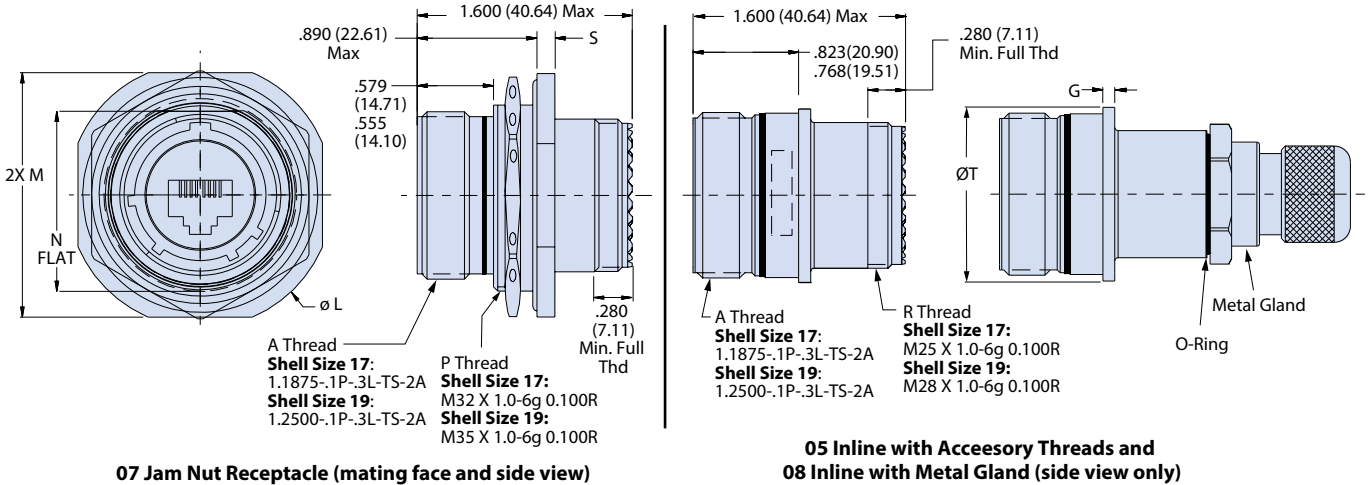
RJ45 CAT 5E ETHERNET

MIL-DTL-38999 Series III Type Connectors



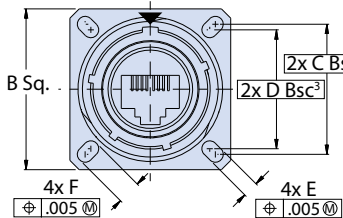
233-300 Coupler with Accessory Threads and RJ45 Plug-to-Jack (plug) or Jack-to-Jack (Receptacle)

07 - REAR PANEL MOUNT JAM NUT AND 05 OR 08 - INLINE RECEPTACLES

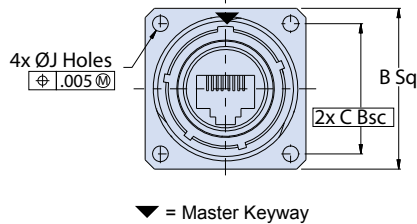


00, 01, D0, D1, CM AND CG - WALL MOUNT RECEPTACLES WITH ACCESSORY THREADS OR METAL GLAND

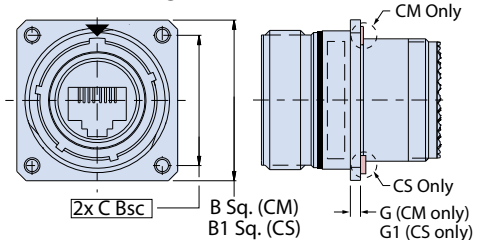
00, 01 - Wall Mount Receptacle with Slotted Holes (Mating Face)



D0, D1 - Wall Mount Receptacle with Round Holes (Mating Face)

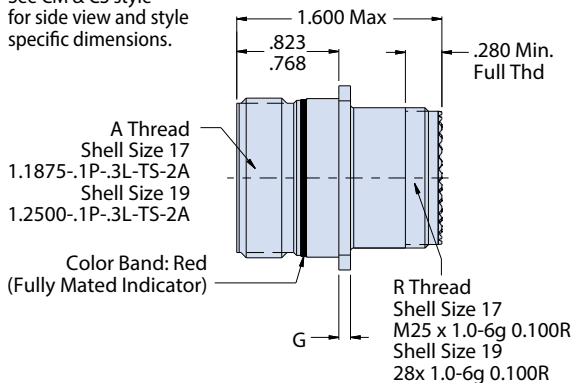


CM Metric and CS Standard - Wall Mount Receptacles (Mating Face and Side View)

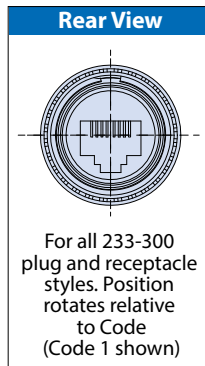
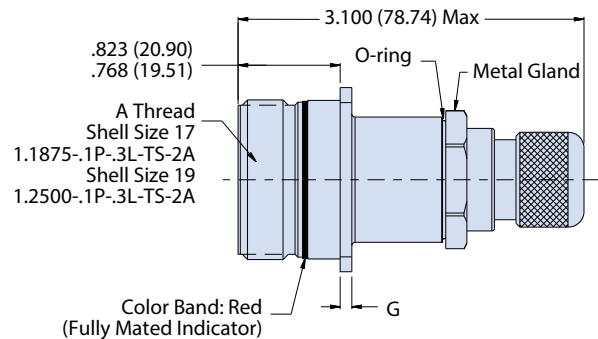


Note:
See CM & CS style for side view and style specific dimensions.

00, D0, CM - Wall Mount Receptacle



01, D1, CG - Wall Mount Receptacle with Metal Gland



Jam Nut and Inline Receptacle Dimensions					
Shell Size	ØL	M	N	S	ØT Max
17	1.764 (44.81)	1.642 (41.71)	1.191 (30.25)	.122 (3.09)	1.275 (32.39)
	1.740 (44.20)	1.610 (40.89)	1.181 (30.00)	.083 (2.11)	
19	1.949 (49.50)	1.827 (46.41)	1.316 (33.43)	.153 (3.89)	1.337 (33.96)
	1.925 (48.90)	1.795 (45.59)	1.306 (33.17)	.114 (2.90)	

Wall Mount Receptacle Dimensions									
Shell Size	B Sq	B1 Sq	C Bsc	D Bsc²	E	F	G	G1	ØJ Holes
17	1.323 (33.60)	1.437 (34.50)	1.062 (26.97)	.969 (24.61)	.136 (3.45)	.202 (5.13)	.098 (2.49)	.122 (3.10)	.136 (3.45)
	1.299 (32.99)	1.397 (35.48)						.083 (.58)	
19	1.449 (36.80)	1.531 (38.89)	1.156 (29.36)	1.062 (26.97)	.120 (3.05)	.186 (4.72)	.083 (2.11)	.153 (3.89)	.120 (3.05)
	1.425 (36.20)	1.491 (37.87)						.144 (3.66)	

Mouser Electronics

Authorized Distributor

Click to View Pricing, Inventory, Delivery & Lifecycle Information:

[Glenair:](#)

[233-300NF07-195LN1](#) [233-300NFG6-195LN1](#) [233-300MTCG-175LN1](#) [233-300MT07G175LN1](#)