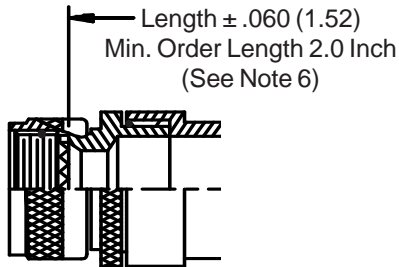
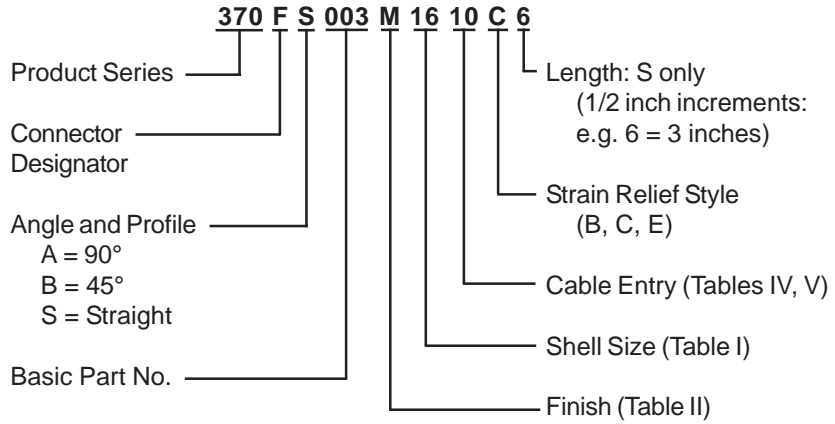
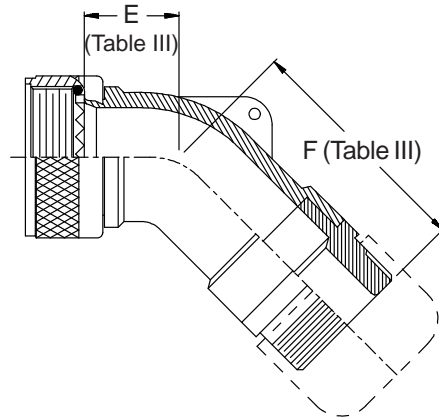
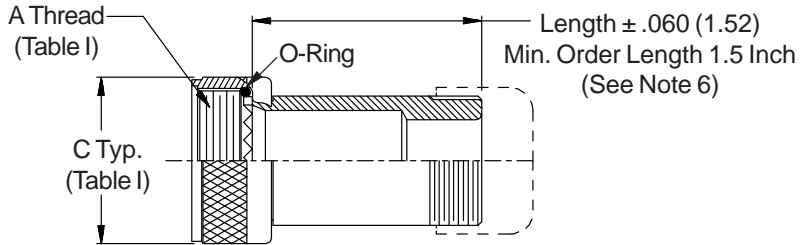


370-003 Water-Tight Cable Sealing Backshell with Strain Relief Low Profile - Rotatable Coupling

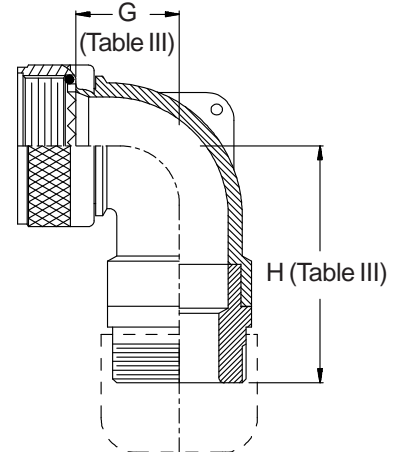
CONNECTOR DESIGNATORS **A-F-H-L-S** ROTATABLE COUPLING



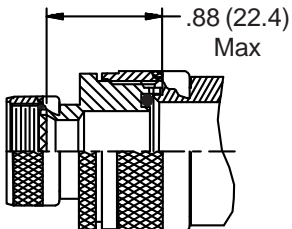
**STYLE 2
(STRAIGHT
See Note 1)**



**STYLE 2
(45° & 90°
See Note 1)**

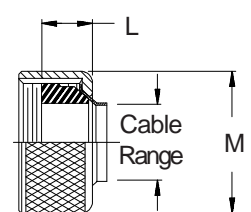
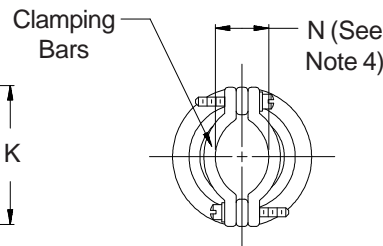
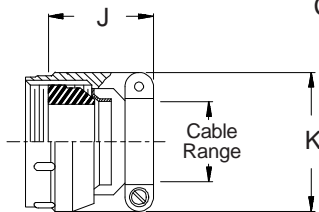
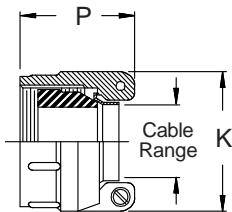


**STYLE E
Medium Duty
(Table V)**



**STYLE B
(Table IV)**

**STYLE C
Medium Duty
(Table IV)**



370-003
Water-Tight Cable Sealing Backshell
with Strain Relief
Low Profile - Rotatable Coupling



See inside back cover fold-out or pages 13 and 14 for unabridged Tables I and II.

TABLE IV: CABLE ENTRY

Dash No.	J Max	K Max	N Ref	Cable Range		P Max
				Min	Max	
03	1.219 (31.0)	.812 (20.6)	.135 (3.4)	.156 (4.0)	.219 (5.6)	1.031 (26.2)
04	1.219 (31.0)	.937 (23.8)	.203 (5.2)	.188 (4.8)	.312 (7.9)	1.031 (26.2)
06	1.219 (31.0)	1.062 (27.0)	.285 (7.2)	.281 (7.1)	.438 (11.1)	1.031 (26.2)
08	1.219 (31.0)	1.188 (30.2)	.350 (8.9)	.312 (7.9)	.531 (13.5)	1.031 (26.2)
10	1.281 (32.5)	1.312 (33.3)	.390 (9.9)	.375 (9.5)	.625 (15.9)	1.094 (27.8)
12	1.281 (32.5)	1.562 (39.7)	.460 (11.7)	.500 (12.7)	.750 (19.1)	1.219 (31.0)
16	1.406 (35.7)	1.750 (44.5)	.510 (13.0)	.625 (15.9)	.938 (23.8)	1.219 (31.0)
20	1.656 (42.1)	2.250 (57.2)	.695 (17.7)	.938 (23.8)	1.250 (31.8)	1.344 (34.1)
24	1.906 (48.4)	2.375 (60.3)	.715 (18.2)	1.000 (25.4)	1.375 (34.9)	1.547 (39.3)
28	1.906 (48.4)	2.625 (66.7)	.915 (23.2)	1.250 (31.8)	1.625 (41.3)	1.547 (39.3)
32	2.000 (50.8)	2.812 (71.4)	1.070 (27.2)	1.500 (38.1)	1.875 (47.6)	1.734 (44.0)

TABLE III: ELBOW DIMENSIONS

Shell Size Conn. Desig.		E Max	F Max	G Max	H Max
A-F-L-S	H				
08	09	.457 (11.6)	1.810 (46.0)	.500 (12.7)	1.820 (46.2)
10	11	.520 (13.2)	1.869 (47.5)	.595 (15.1)	1.940 (49.3)
12	13	.582 (14.8)	1.929 (49.0)	.610 (15.5)	1.960 (49.8)
14	15	.645 (16.4)	2.359 (59.9)	.700 (17.8)	2.369 (60.2)
16	17	.738 (18.7)	2.469 (62.7)	.885 (22.5)	2.459 (62.5)
18	19	.926 (23.5)	2.659 (67.5)	.975 (24.8)	2.629 (66.8)
20	21	.926 (23.5)	2.659 (67.5)	.975 (24.8)	2.629 (66.8)
22	23	1.020 (25.9)	2.872 (72.9)	1.125 (28.6)	2.802 (71.2)
24	25	1.020 (25.9)	2.872 (72.9)	1.125 (28.6)	2.802 (71.2)
28		1.145 (29.1)	2.905 (73.8)	1.225 (31.1)	2.955 (75.1)
32		1.207 (30.7)	3.005 (76.3)	1.575 (40.0)	3.205 (81.4)
36		1.238 (31.4)	3.315 (84.2)	1.775 (45.1)	3.255 (82.7)

TABLE II: STANDARD FINISHES

GLENAIR SYMBOL	FINISH
B	Cadmium Plate, Olive Drab
C	Anodize, Black
G	Hard Coat, Anodic
M	Electroless Nickel
NF	Cadmium Plate, Olive Drab Over Electroless Nickel

See Inside Back Cover for Additional Finish Options

1. When maximum cable entry (page 21) is exceeded, Style 2 will be supplied. Dimensions E, F, G and H will not apply. Please consult factory.
2. Metric dimensions (mm) are indicated in parentheses.
3. Cable range is defined as the accommodations range for the wire bundle or cable. Dimensions shown are not intended for inspection criteria.
4. Saddles are bottomed on Clamp Ears.
5. Interface O-Ring not supplied with Connector Designator A.
6. Consult factory for shorter lengths on straight backshells.

TABLE V: CABLE ENTRY

Dash No.	L Max	M Max	Cable Range	
			Min	Max
03	.739 (18.8)	.812 (20.6)	.156 (4.0)	.219 (5.6)
04	.739 (18.8)	.937 (23.8)	.188 (4.8)	.312 (7.9)
06	.739 (18.8)	1.062 (27.0)	.281 (7.1)	.438 (11.1)
08	.739 (18.8)	1.188 (30.2)	.312 (7.9)	.531 (13.5)
10	.791 (20.1)	1.312 (33.3)	.375 (9.5)	.625 (15.9)
12	.880 (22.4)	1.562 (39.7)	.500 (12.7)	.750 (19.1)
16	.901 (22.9)	1.750 (44.5)	.625 (15.9)	.938 (23.8)
20	1.031 (26.2)	2.250 (57.2)	.938 (23.8)	1.250 (31.8)
24	1.250 (31.8)	2.375 (60.3)	1.000 (25.4)	1.375 (34.9)
28	1.250 (31.8)	2.625 (66.7)	1.250 (31.8)	1.625 (41.3)
32	1.312 (33.3)	2.812 (71.4)	1.500 (38.1)	1.875 (47.6)

Mouser Electronics

Authorized Distributor

Click to View Pricing, Inventory, Delivery & Lifecycle Information:

Glenair:

[370FA003M1204C](#) [370FA003NF1812C](#) [370FB003M1610C](#) [370HA003M0908C](#) [370HA003M1706C](#)
[370HA003M2310C](#) [370HA003M2510C](#) [370HA003M2516C](#) [370HA003NF1704C](#) [370HS003M1308C4](#)
[370HS003NF1306C3](#) [370HS003NF1504C3](#) [370HS003NF1506C4](#) [370HS003NF1510C5](#) [370HS003NF1510C6](#)
[370HS003NF1704C4](#) [370HS003NF1706C4](#) [370HS003NF1706C6](#) [370HS003NF2108C6](#) [370HS003NF2112C4](#)
[370HS003NF2316C4](#) [370HS003NF2506C6](#) [370HS003NF2520C6](#) [370AS003C1408C3](#) [370AA003B2212C](#)
[370AA003UC1004B-7A](#) [370AA003UC2416B-7A](#) [370FS003M1003C3](#) [370HA003B0904C](#) [370HA003NF1512C](#)
[370HS003B0903C6](#) [370HS003M1510C6](#) [370HS003M1512C6](#) [370HS003M1708E3](#) [370HS003M1710E3](#)
[370HS003M2110E3](#) [370HS003M2112E3](#) [370HS003NF1710C4](#) [370AA003B1806C](#) [370AB003NF1404C-7A](#)
[370AS003B1206C2](#) [370AS003NF2204C6-7A](#) [370AS003NF2206C3](#) [370AS003NF2206C7](#) [370FS003M2006C2](#)
[370FS003NF2216C3](#) [370HA003B0903C](#) [370HA003NF1708C](#) [370HS003M1508C6](#) [370HS003NF2516C6](#)
[370FS003M2410C4](#) [370BS003NF2710B8N](#) [370AS003NF2404C3](#) [370FS003N2404E4](#) [370AS003N1610C3](#)
[370HS003NF2112C6](#) [370HS003NF1304C3](#) [370AS003B1610C3](#) [370HS003NF2104C3](#) [370FS003N1204E4](#)
[370FA003NF2006C](#) [370LS003NF1612C4](#) [370HS003C1710C3](#) [370AS003NF2204E5](#) [370AS003B1204C2](#)