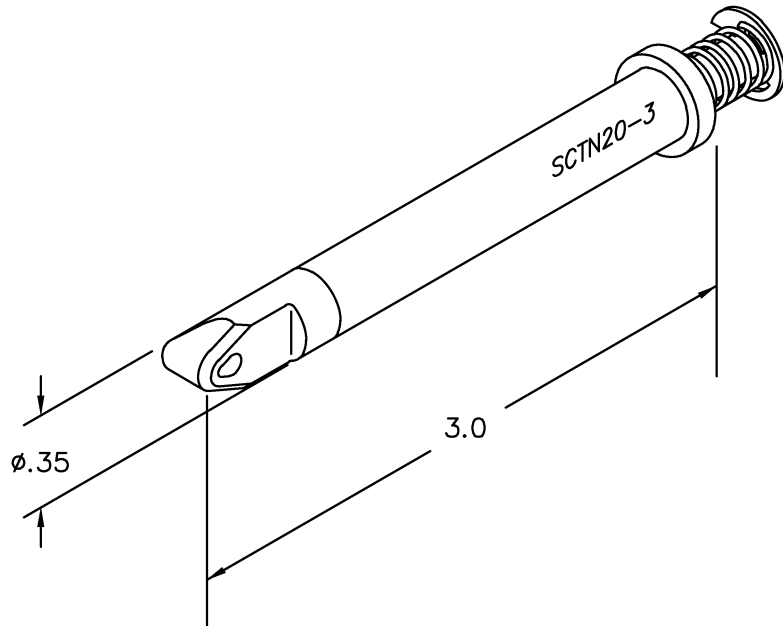
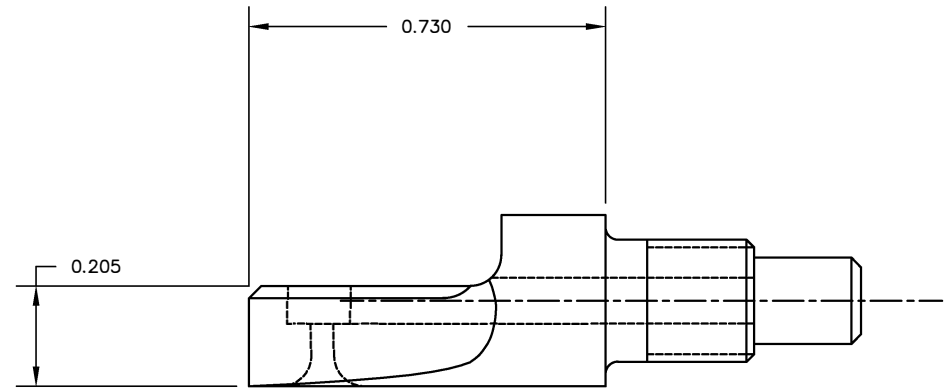
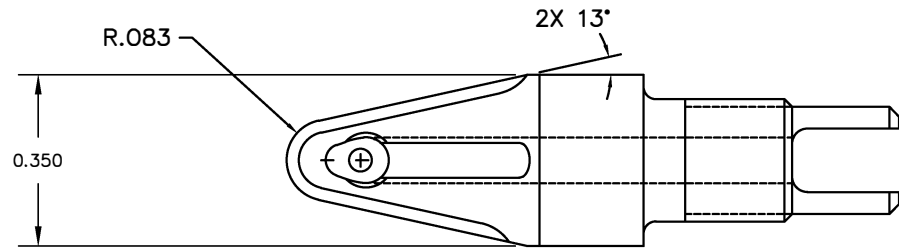



REVISIONS				
REV. SYM.	E.C.O. NUMBER	DESCRIPTION	BY DATE	APP'D DATE
2		ADDED NOSE DIMS	ENF 2/24/18	RRR 2/24/18



**UNCONTROLLED DOCUMENT
WILL NOT BE UPDATED**

MATERIAL	ITEM	PART NO.	QTY.	DESCRIPTION/REMARKS
	DRW. J. JOYCE	DATE 5/16/04		 DANIELS MANUFACTURING CORP. ORLANDO, FLORIDA CAGE 11851
	CRCD. RRR	DATE 5/16/04		
HEAT TREAT	APPD.	DATE		
	APPD.	DATE		
	NOTE: THIS DRAWING IS AN OUTLINE DRAWING OF THE RESPECTIVE DMC PART NUMBER INDICATED. ACTUAL DMC PART NUMBER IS DRAWING NUMBER WITHOUT THE "-ENV" SUFFIX.		WHERE USED: SIZE C	SCALE NTS
FINISH				CAD P/N SCTN20-3-ENV
				POSTING
				DMG. NO. SCTN20-3-ENV
				SHEET OF 1 1
				REV. 2

Mouser Electronics

Authorized Distributor

Click to View Pricing, Inventory, Delivery & Lifecycle Information:

[Daniels Manufacturing:](#)

[SCTN20-3](#)