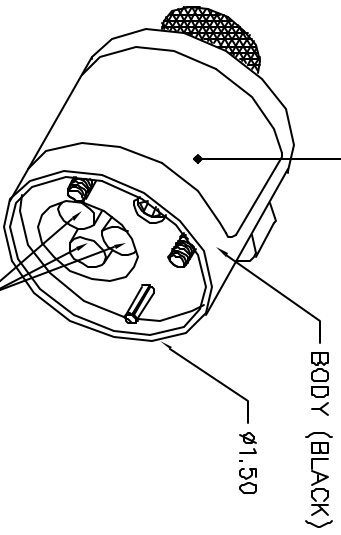


VAN SYSTEM CONTACTS	COLOR CODE	6mm ²	4mm ²	12 3mm ²	2.5mm ²	1.9mm ²	1.5mm ²	1.2mm ²	1mm ²	.75mm ²	.6mm ²	.5mm ²	WIRE SIZE
-15													
-15R													
ST485-12P	RED				6		5		8		7	6	
ST485-12S													
-R					7		6						
-30													
-35													
ST485-10S									7		6	5	
ST485-16SR									7		6	5	
ST485-16P	BLUE								7		6	5	
ST485-10PR									7		6	5	
ST485-16SP									7		6	5	
ST485-16SS									7		6	5	
ST485-169PR	GREEN								7		6	5	
ST485-169SR									7		6	5	



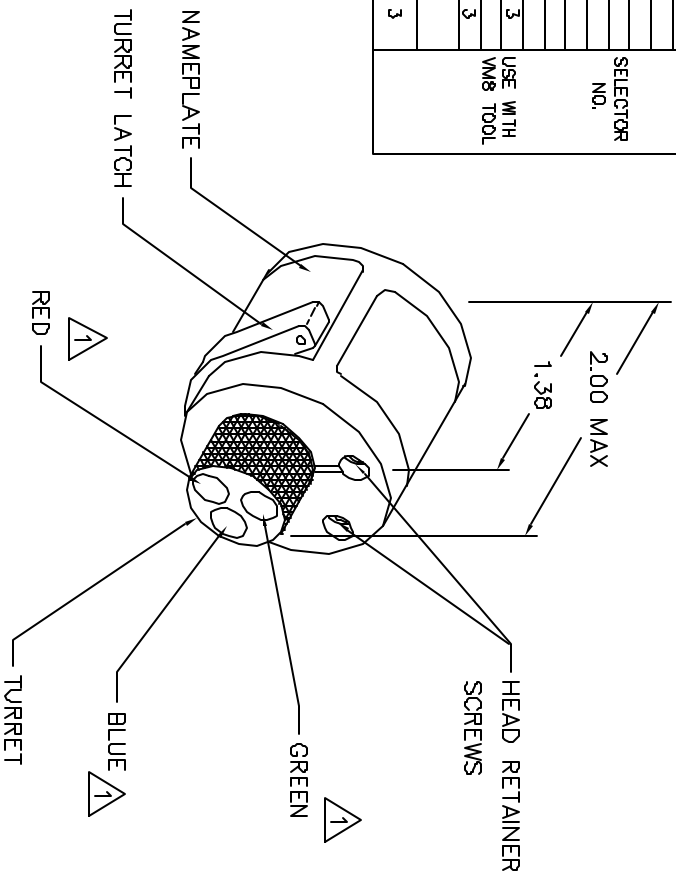
POSITIONER COLOR	* HOLE DIMENSIONS	ADDITIONAL FEATURES
RED	Ø.205 ±.954	
BLUE	Ø.090 ±.749	□ Ø.133 ±.670
GREEN	Ø.133 ±.576	

NOTES:

1. RANDOM ORDER OF ROTATION IS ACCEPTABLE.
2. USE WITH VMB CRIMP TOOL.

* HOLE DEPTH DIMENSIONS ARE MEASURED FROM THE TOP OF THE POSITIONER INSERTS.

SELECTOR NO.	USE WITH VMB TOOL
1	
2	
3	
4	
5	
6	
7	
8	



**UNCONTROLLED DOCUMENT
WILL NOT BE UPDATED**

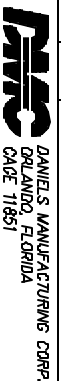
REV.	REV. SYM.	E.C.D. NUMBER	DESCRIPTION	DT. DATE	APP'D. DATE
2		REDRAWN		3-4-02	3-4-02

RESTRICTED & CONFIDENTIAL
 PROPRIETARY PROPERTY OF DANIEL'S MANUFACTURING CORP. NOT TO BE DISCLOSED TO OTHERS, REPRODUCED OR USED FOR ANY OTHER PURPOSE, EXCEPT AS AUTHORIZED IN WRITING BY DANIEL'S MANUFACTURING. MUST BE RETURNED TO DANIEL'S MANUFACTURING FOR THE PURPOSE OF ORDER OR OTHER PURPOSE FOR WHICH SENT.

DO NOT SCALE DRAWING

ITEM	PART NO.	QTY.	DESCRIPTION/REMARKS
DRN	DATE		
CHK'D	DATE		
APP'D	DATE		
APP'D	DATE		

SIZE	SCALE	TAB P/N	SHEET	OF
B	NTS	VH435-1-ENV	1	1
POSTING		PA	VH435-1-ENV	REV. 2



ENVELOPE DRAWING
TURRET HEAD

WHERE USED: VMB

Mouser Electronics

Authorized Distributor

Click to View Pricing, Inventory, Delivery & Lifecycle Information:

[Daniels Manufacturing:](#)

[VH435-1](#)