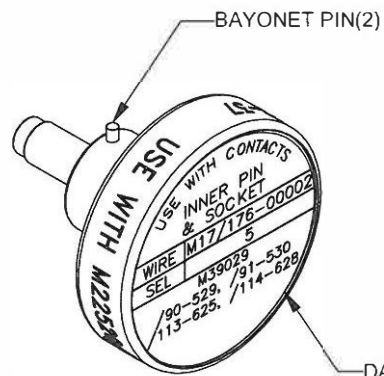
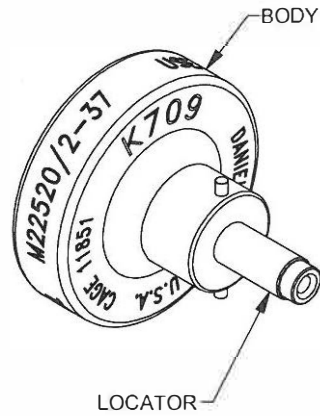


LOCATOR	
HOLE DIMENSIONS	ADDITIONAL FEATURES
Ø.052	L-Ø.063
▽THRU	▽.090



**UNCONTROLLED DOCUMENT  
WILL NOT BE UPDATED**

DIMENSIONS IN INCHES - UNLESS OTHERWISE SPECIFIED

REVISIONS				
REV SYM	ECO NUMBER	DESCRIPTION	BY DATE	APP'D DATE
2		REDRAWN	AHH 11-12-03	RRR 11-12-03
3	22951	DATAPLATE REVISED	11 06-05-13	

<b>RESTRICTED &amp; CONFIDENTIAL</b> CONFIDENTIAL PROPERTY OF DANIELS MANUFACTURING CORP. NOT TO BE DISCLOSED TO OTHERS. REPRODUCED OR USED FOR ANY OTHER PURPOSE EXCEPT AS AUTHORIZED IN WRITING BY DANIELS MANUFACTURING. MUST BE RETURNED TO DANIELS MANUFACTURING CORP. ON COMPLETION OF ORDER OR OTHER PURPOSE FOR WHICH INT.	MATERIAL	ITEM	PART No.	QTY.	DESCRIPTION/REMARKS
	HEAT TREAT	DRN: DUNG CAO CHK: DE	DATE: 10-2-95 DATE: 10-2-95		DANIELS MANUFACTURING CORP. ORLANDO, FLORIDA CAGE 11851
	FINISH	APP'D: [blank] APP'D: [blank]	DATE: [blank] DATE: [blank]	TITLE	
	DO NOT SCALE DRAWING	NOTE: THIS DRAWING IS AN OUTLINE DRAWING OF THE RESPECTIVE DMC PART NUMBER INDICATED. ACTUAL DMC PART NUMBER IS DRAWING NUMBER WITHOUT THE "ENV" SUFFIX	WHERE USED: AFMB	SIZE: B SCALE: 2.5X	CAD P/N: K709-ENV

# Mouser Electronics

Authorized Distributor

Click to View Pricing, Inventory, Delivery & Lifecycle Information:

## Daniels Manufacturing:

[M22520/2-37](#) [HD51-120N](#) [HD51-101](#) [HD51-166](#) [HD51-117N](#) [HD51-163](#) [HD51-144](#) [HD51-128](#) [HD51-159](#) [HD51-114N](#) [HD51-116N](#) [HD51-138](#) [HD51-127](#) [HD51-157](#) [HD51-123N](#) [HD51-160](#) [HD51-134-2](#) [HD51-122N](#) [HD51-139](#) [HD51-107](#) [HD51-112](#) [HD51-165](#) [HD51-149](#) [HD51-130-1](#) [HD51-119N](#) [HD51-168](#) [HD51-154](#) [HD51-115N](#) [HD51-132-2](#) [HD51-110](#) [HD51-167](#) [HD51-152](#) [HD51-164](#) [HD51-118N](#) [HD51-105](#) [HD51-129](#) [HD51-148](#) [HD51-121N](#) [HD51-131-2](#) [HD51-125N](#) [HD51-150](#) [HD51-124N](#) [HD51-133-2](#)