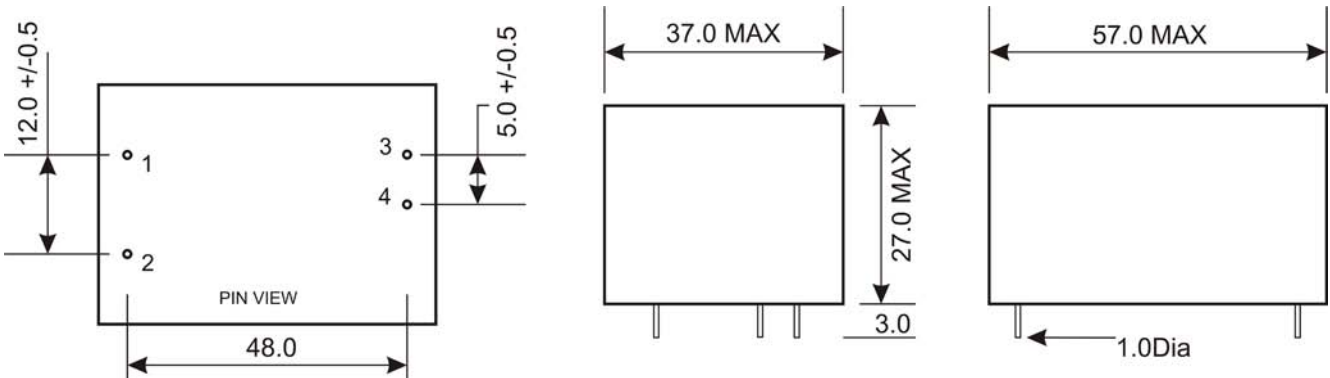




Features:

- 10W Single Output
- Output Range: 3.3V~24VDC
- Input: 90 ~ 265VAC , 47~63Hz (100~370VDC)
- Low Standby Power <0.3w
- Low Ripple & Noise
- Encapsulated Design
- Fully Isolated Pri ~ Sec >4000Vrms
- Materials: UL94-V0
- Safety: EN61558, EN60950, CE,

Part No	Power Rating Watts	Output Voltage (Vdc)	Output Current (mA)	Ambient Temp. (°C)	Efficiency Typical	Input Range
VTX-214-010-103	10	3.3	3000	70	>70%	90~265VAC (100~370VDC)
VTX-214-010-105	10	5	2000			
VTX-214-010-106	10	6	1670			
VTX-214-010-107	10	7.5	1330			
VTX-214-010-108	10	8	1250			
VTX-214-010-109	10	9	1110			
VTX-214-010-110	10	10	1000			
VTX-214-010-112	10	12	830			
VTX-214-010-115	10	15	660			
VTX-214-010-118	10	18	550			
VTX-214-010-124	10	24	420			



Pins 1&2: AC/DC Input
Pin 3: Output DC +V
Pin 4: Output DC 0V

Unit weight: 85g

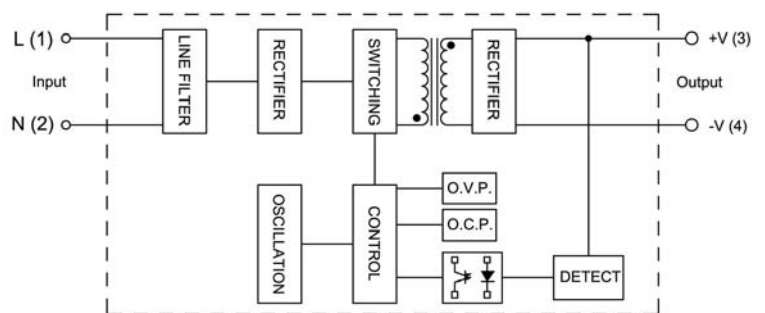
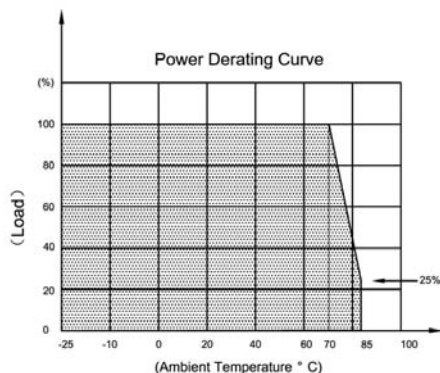
Please contact Vigortronix for any enquiries. Products can be altered to suit custom requirements.
The information contained in this document is subject to change without notice.

Vigortronix, 16 De Havilland Way, Witney, Oxfordshire, OX29 0YG, UK

Tel. +44 (0)1993 777570 Fax. +44 (0)1993 777580 Web. www.vigortronix.com E-mail: sales@vigortronix.com

Vigortronix is a trading name of Vigortronix (UK) Limited

Model: 10Watt		Specification
INPUT Pin 1: L Pin 2: N	Voltage Range	90 ~ 264VAC / 47 ~ 63Hz (120VDC ~ 370VDC)
	Current	250mA Max (100VAC) / 150mA Max (240VAC)
	Inrush Current	25A Max (100VAC) / 35A Max (240VAC)
	No Load power	0.3W Max
	Leakage Current	0.3 mA Max
OUTPUT Pin 3: DC+ Pin 4: DC-	Voltage Accuracy	3% +/-
	Ripple	<50mV Max (Vp~p)
	Noise	<1% Vout Max (Vp~p)
	Efficiency	>70%
	Protection	Over Power, Over Voltage & Short Circuit Protection
Insulation	Input to Output	3600Vrms, 5mA 1 Min (4200VAC 2sec)
Enviroment	Operating Temperature	-25°C ~ +70°C (Full Load)
	Storage Temperature	-40°C ~ +105°C
	Weight	85g
	MTBF	>300,000Hrs @ 25°C (MIL-HDBK-217F)
Safety	Agency Approval	EN60950-1, EN61558-1, EN61558-2-6, EN61558-2-17
EMC	EMI	Compliance with EN55022 Class A
	EMS	Compliance with EN55024, EN61000-4-2, EN61000-4-4, EN61000-4-5



Please contact Vigortronix for any enquiries. Products can be altered to suit custom requirements.
The information contained in this document is subject to change without notice.

Vigortronix, 16 De Havilland Way, Witney, Oxfordshire, OX29 0YG, UK

Tel. +44 (0)1993 777570 Fax. +44 (0)1993 777580 Web. www.vigortronix.com E-mail: sales@vigortronix.com

Vigortronix is a trading name of Vigortronix (UK) Limited