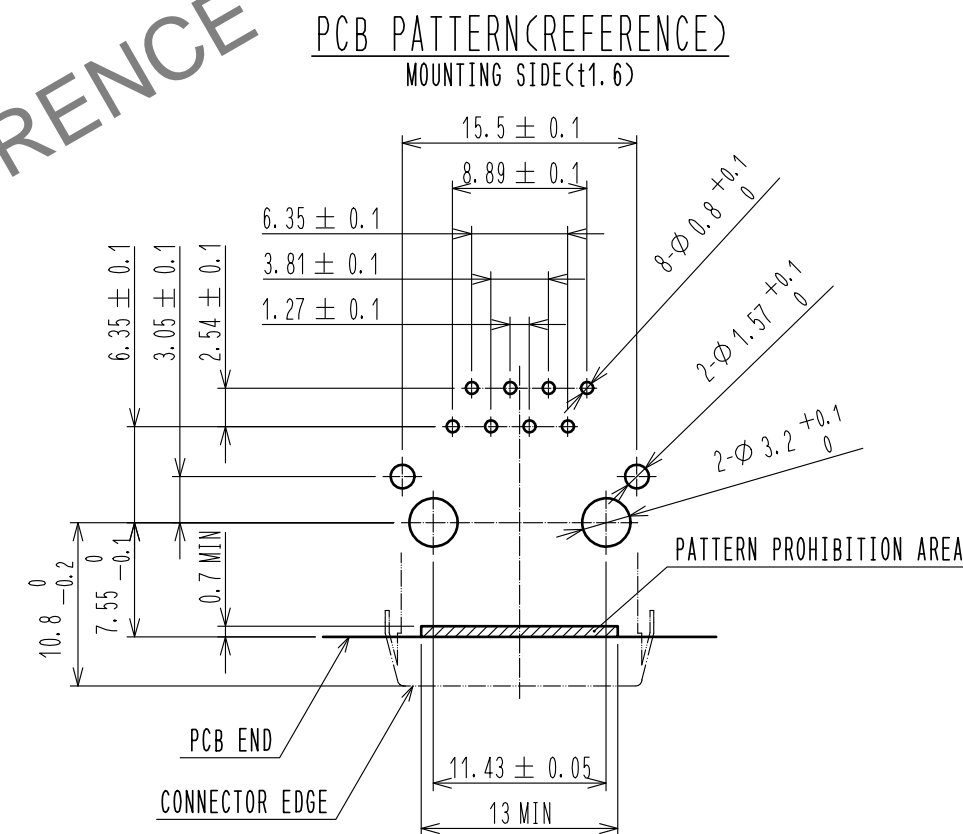
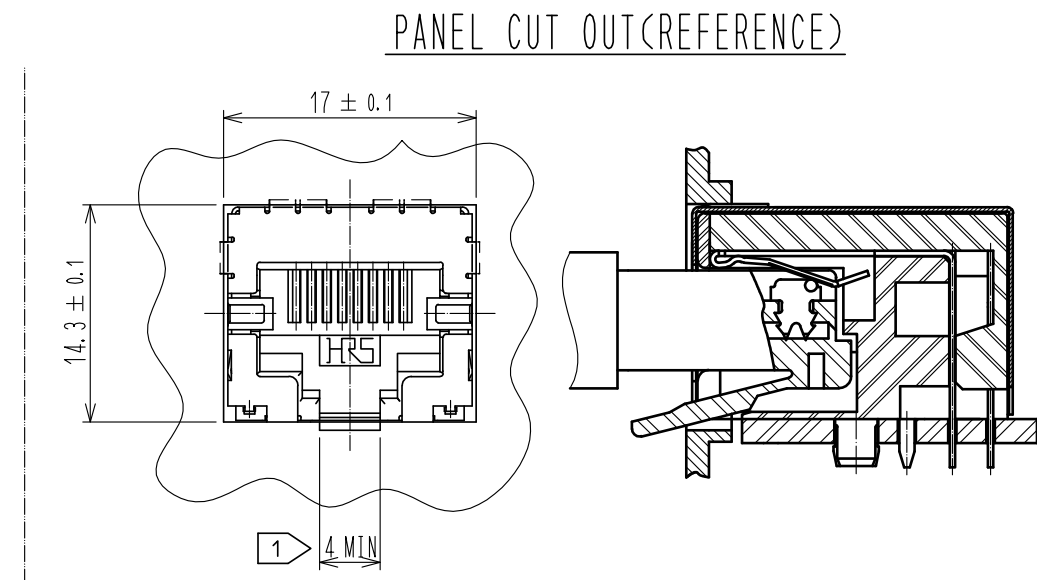
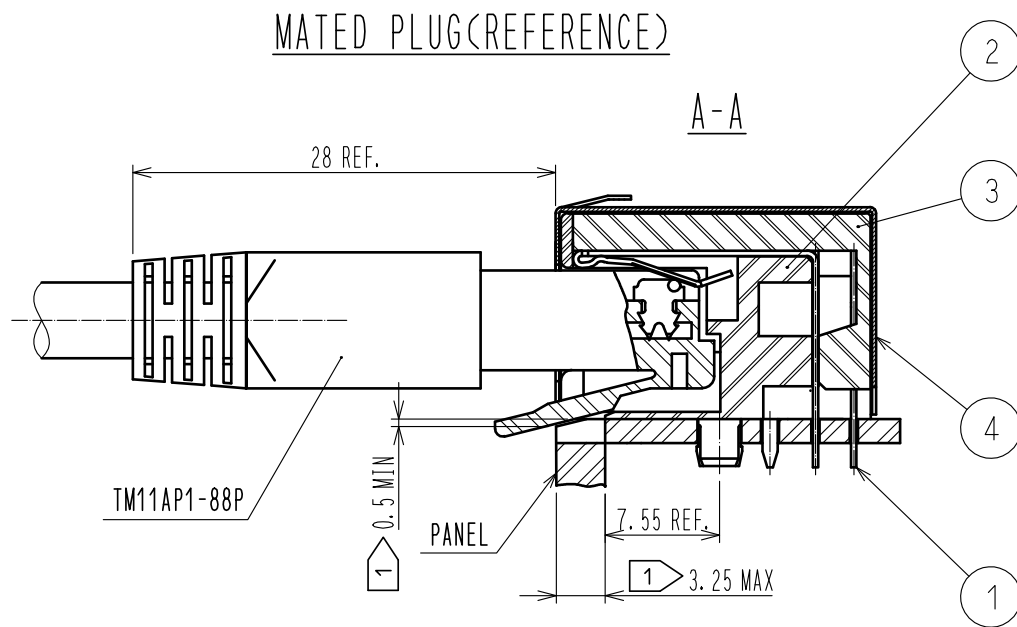
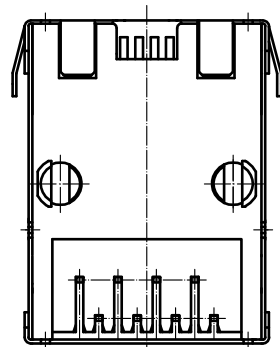
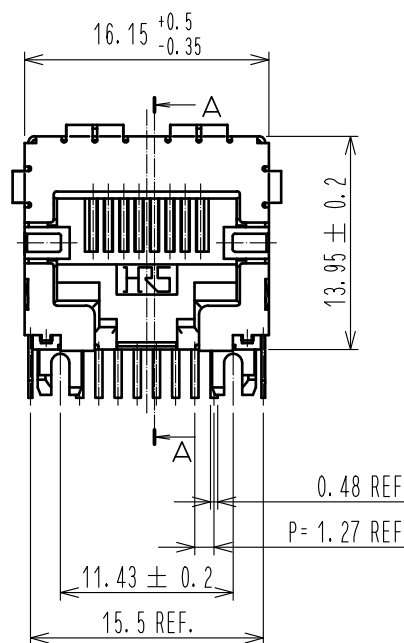
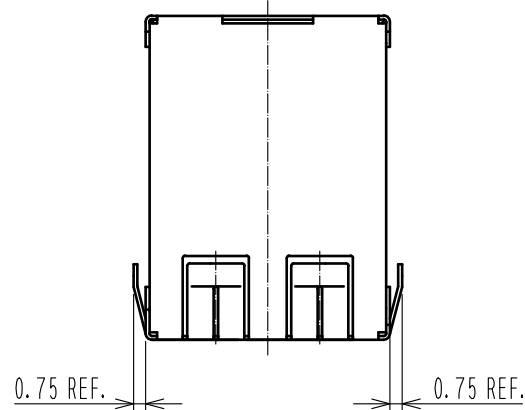
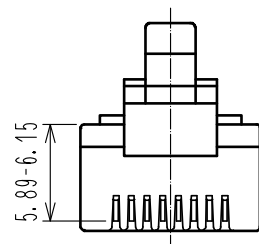


Jun.1.2024 Copyright 2024 HIROSE ELECTRIC CO., LTD. All Rights Reserved.
In case of consideration for using Automotive equipment / device which demand high reliability, kindly contact our sales window correspondents.



△ ③ FCC PLUG DIMENSION



NOTE ① NOTCH IN ACCORDANCE WITH THE DIMENSION FOR PLUG LOCK LEVER SPACE WHEN MANUFACTURING PANEL.
② THERE IS A POSSIBILITY THAT PART NO. ④ CAN BE SCRATCHED DURING THE MANUFACTURING OR TRANSPORTATION PROCESS. HOWEVER, THIS WILL NOT CAUSE ANY PROBLEMS TO THE PRODUCT PERFORMANCE.
△ ③ DO NOT MATE WITH THE PLUG NONCONFORMING TO FCC STANDARD. TAKE EXTRA CARE TO THE CONTACT LOCATION SHOWN IN THE FIGURE.

1	PHOSPHOR BRONZE	CONTACT: GOLD PLATING 1.27μm MIN LEAD : TIN REFLOW PLATING 1μm MIN UNDER : NICKEL PLATING 1μm MIN	4	BRASS	TIN REFLOW PLATING 1μm MIN
			3	PBT	BLACK, UL94V-0
			2	PBT	BLACK, UL94V-0
NO.	MATERIAL	FINISH . REMARKS	NO.	MATERIAL	FINISH . REMARKS
UNITS mm		SCALE 2 : 1	COUNT 2	DESCRIPTION OF REVISIONS DIS-E-00007449	DESIGNED KIM JAEHYEON
					CHECKED KG. OKITA
					DATE 20211029
APPROVED : RI. TAKAYASU 20110531			DRAWING NO. EDC-121543-50-01		
CHECKED : YH. ENAMI 20110531			PART NO. TM11R-5N2-88(50)		
DESIGNED : MT. ITANO 20110531			CODE NO. CL0222-3952-5-50		
DRAWN : MT. ITANO 20110531			② 1/1		