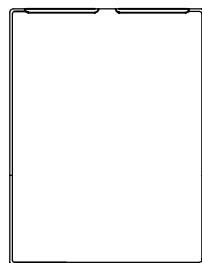
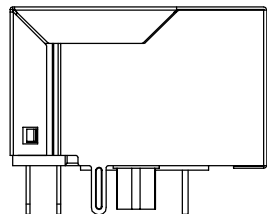


REACH & RoHS  
COMPLIANT

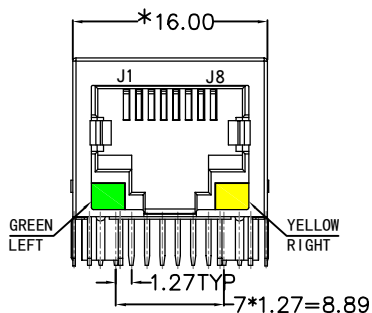
REV.	ECN / DESCRIPTION	BY	DATE
A0	NEW	X.YAN	2018.03.16



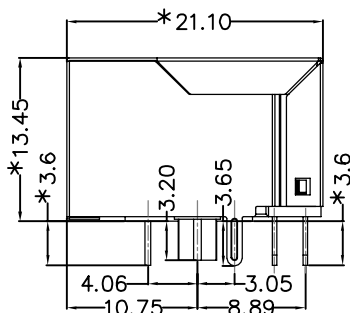
TOP VIEW



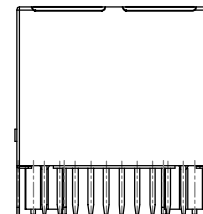
LEFT SIDE VIEW



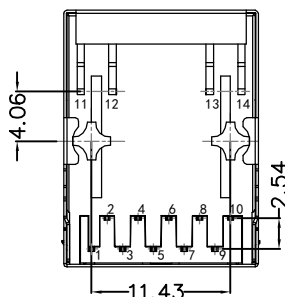
FRONT VIEW



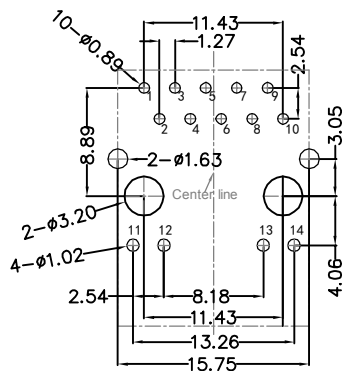
RIGHT SIDE VIEW



BACK VIEW



BOTTOM VIEW



RECOMMENDED PCB LAYOUT  
VIEWED FROM COMPONENT SIDE

**MATERIAL:**

HOUSING: PA9T,UL94V-0,BLACK.  
 TERMINALS BRACKET: PBT,UL94V-0,BLACK.  
 SHIELD: C2680,T=0.20MM,NICKEL PLATING ON ALL AREA.  
 TERMINAL: PHOSPHOR BRONZE C5210,T=0.35MM,  
 30U" GOLD PLATING ON CONTACT AREA.

**MECHANICAL:**

DURABILITY: 750 CYCLES MIN.  
 MATING FORCE: 23N MAX.  
 OPERATING TEMPERATURE: -40°C~+85°C.  
 STORAGE TEMPERATURE: -40°C~+85°C.  
 ALL CRITICAL DIMENSIONS WITH "\*"

**CND-tek**  
磁联达

深圳磁联达电子有限公司  
Shenzhen magnetic Lianda Electronics Co., LTD

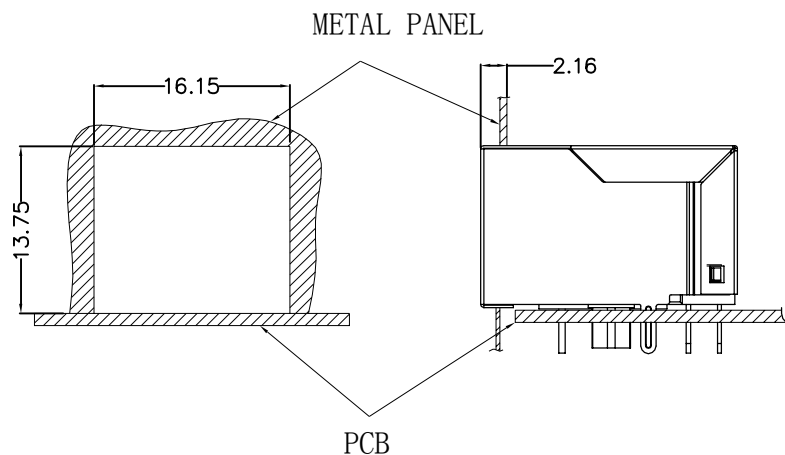
Address: 505, West Block, No. 221, Niucheng Road, Niucheng Village, Baiwang  
Community, Xili Street, Nanshan District, Shenzhen  
E-mail: sales1@cd-tek.com 0755-27652992 29016433 Website:www.cd-tek.com

TITLE: TAB-DOWN 1X1 10G	SIZE A4	UNITS MM[INCH]	GENERAL TOLERANCES UNLESS SPECIFIED		APPROVED BY: QG.WANG
PART NO.: T11594L6T	SACLE 1:1	REV A0	x±0.35	x°±3.0°	CHECKED BY: SL.WANG
REMARK:	SHEET 1/4		.xx±0.25	.xx°±1.5°	DESIGND BY: X.YAN
			.xxx±0.10	.xxx°±1.0°	

REACH & RoHS  
COMPLIANT

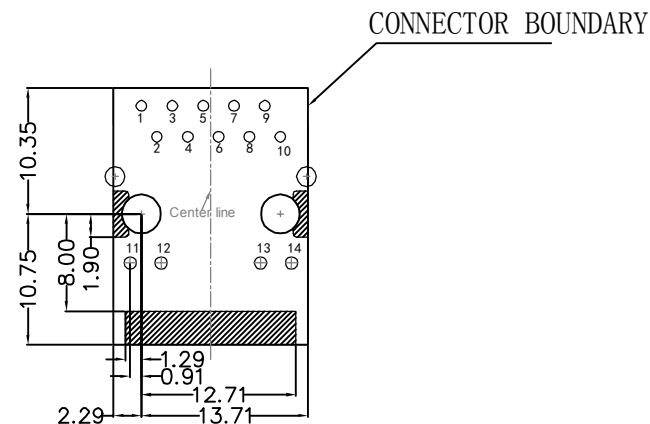
REV.	ECN / DESCRIPTION	BY	DATE
A0	NEW	X.YAN	2018.08.15

RECOMMENDED PANEL CUTOUT (REFERENCE ONLY):



UNIT: MM / INCH  
TOLERANCES:  $\pm 0.10$  / 0.004  
REFERENCE ONLY

KEEP-OUT AREA (COMPONENT SIDE VIEW):



PLUG-IN SIDE

UNIT: MM / INCH  
TOLERANCES:  $\pm 0.10$  / 0.004

**CND-tek**  
磁联达

深圳磁联达电子有限公司  
Shenzhen magnetic Lianda Electronics Co., LTD

Address: 505, West Block, No. 221, Niucheng Road, Niucheng Village, Baiwang  
Community, Xili Street, Nanshan District, Shenzhen  
E-mail: sales1@cd-tek.com 0755-27652992 29016433 Website:www.cd-tek.com

TITLE:  
TAB-DOWN 1X1 10G

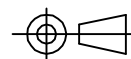
PART NO.:  
T11594L6T

REMARK:

SIZE  
A4  
UNITS  
MM[INCH]

SACLE  
1:1  
REV  
A0

SHEET  
2/4



GENERAL TOLERANCES  
UNLESS SPECIFIED

$x \pm 0.35$	$x^\circ \pm 3.0^\circ$
$.x \pm 0.30$	$.x^\circ \pm 2.0^\circ$
$.xx \pm 0.25$	$.xx^\circ \pm 1.5^\circ$
$.xxx \pm 0.10$	$.xxx^\circ \pm 1.0^\circ$

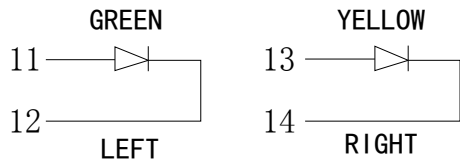
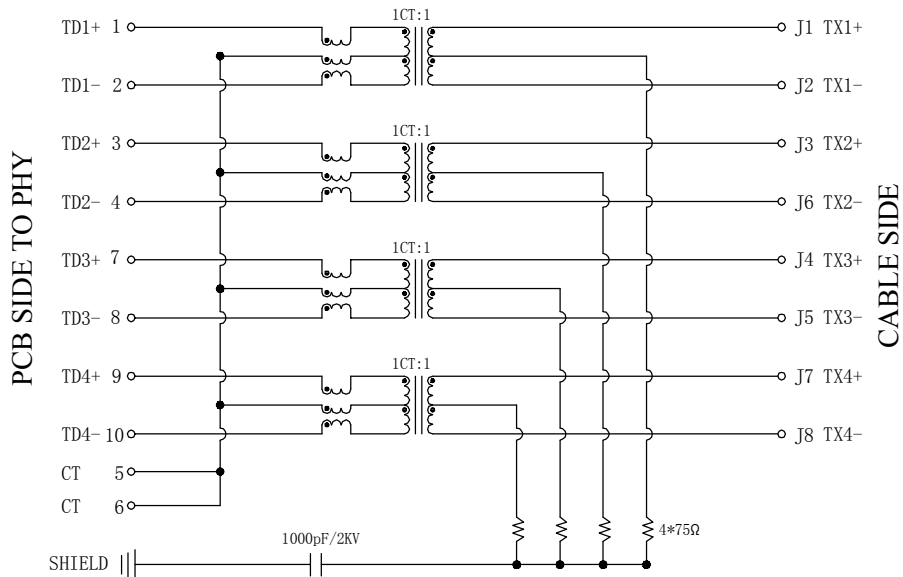
APPROVED BY:  
QG.WANG

CHECKED BY:  
SL.WANG

DESIGN BY:  
X.YAN

REACH & RoHS  
COMPLIANT

REV.	ECN / DESCRIPTION	BY	DATE
A0	NEW	X.YAN	2018.03.16



**Electrical:**

- Turn ratio: 1~2: J1~J2=1CT:1CT(±2%).  
3~4: J3~J6=1CT:1CT(±2%).  
7~8: J4~J5=1CT:1CT(±2%).  
9~10: J7~J8=1CT:1CT(±2%).
- OCL: 160uH Min. @ 100KHz 0.1V.
- Insertion Loss: -3.0 dB MAX 100MHz  
-2.0 dB MAX (-1.4 dB TYP) 1~400MHz
- Return loss: -22 dB MIN 1-100 MHz  
-22 + 20.75\*LOG (f/100) 100 MHz-500 MHz
- Cross talk: -28dB Min 1~100MHz;  
-19dB Min 100~500MHz;
- CMR: -30dB Min 1~40MHz;  
-28dB Min 40~100MHz;  
-26dB Min 100~500MHz;
- Hi-Pot: 2250V DC 6S 1mA PRI TO SEC

**LED Specification**

Standard LED Color	LED Wavelength	Foward(A)	Foward(V)
Green	568nm	20mA	1.85-2.45V
Yellow	585nm	20mA	1.7-2.2V

**CND-tek**  
磁联达

深圳磁联达电子有限公司  
Shenzhen magnetic Lianda Electronics Co., LTD

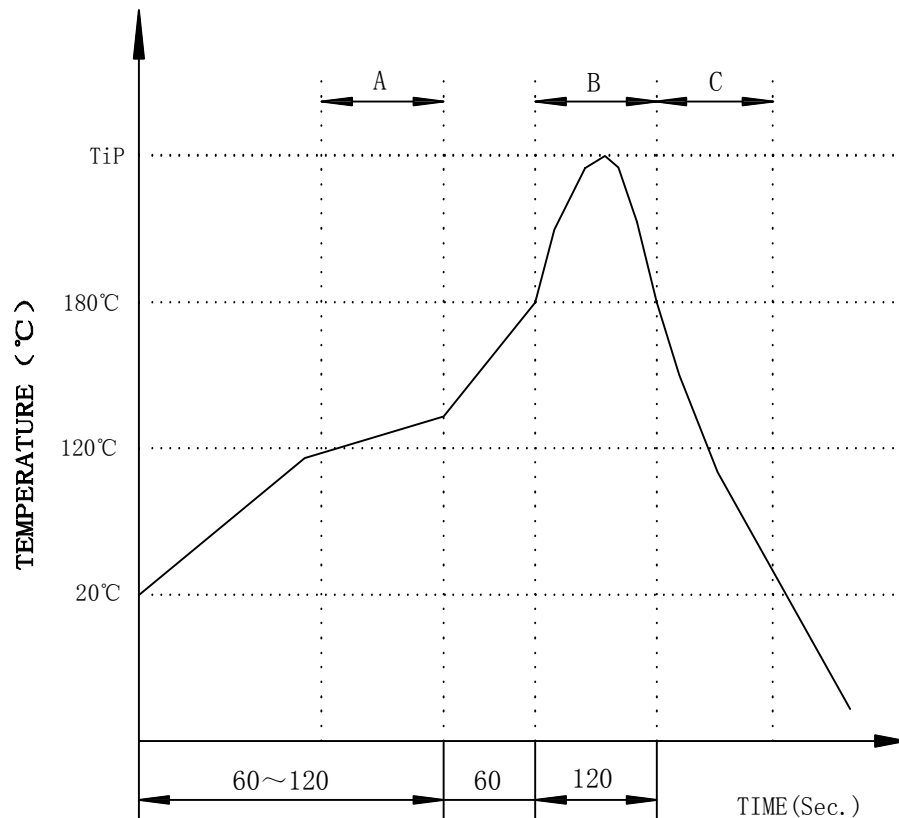
Address: 505, West Block, No. 221, Niucheng Road, Niucheng Village, Baiwang Community, Xili Street, Nanshan District, Shenzhen  
E-mail: sales1@cd-tek.com 0755-27652992 29016433 Website: www.cd-tek.com

TITLE: TAB-DOWN 1X1 10G	SIZE A4	UNITS MM[INCH]	GENERAL TOLERANCES UNLESS SPECIFIED		APPROVED BY: QG.WANG
PART NO.: T11594L6T	SACLE 1:1	REV A0	x±0.35 .x±0.30	x°±3.0° .x°±2.0°	CHECKED BY: SL.WANG
REMARK:	SHEET 3/4		.xx±0.25 .xxx±0.10	.xx°±1.5° .xxx°±1.0°	DESIGND BY: X.YAN

REACH & RoHS  
COMPLIANT

REV.	ECN / DESCRIPTION	BY	DATE
A0	NEW	X.YAN	2018.03.16

# PROFILE OF WAVE SOLDER



A.Preheating B.Soldering C.Gradual Cooling  
 Tip temperature:260±5°C.  
 Tip temperature time:5Sec Max.  
 Tip melting point of Sn96.5/Ag3/Cu0.5:217°C.

Remarks: after wave soldering, the plastic positioning columns of the product which under the PCB will be slightly melted, but it won't affect its function.

**CND-tek**  
磁联达

深圳磁联达电子有限公司  
Shenzhen magnetic Lianda Electronics Co., LTD

Address: 505, West Block, No. 221, Niucheng Road, Niucheng Village, Baiwang Community, Xili Street, Nanshan District, Shenzhen  
E-mail: sales1@cd-tek.com 0755-27652992 29016433 Website:www.cd-tek.com

TITLE: TAB-DOWN 1X1 10G	SIZE A4	UNITS MM[INCH]	GENERAL TOLERANCES UNLESS SPECIFIED		APPROVED BY: QG.WANG
PART NO.: T11594L6T	SACLE 1:1	REV A0	x±0.35	x°±3.0°	CHECKED BY: SL.WANG
REMARK:	SHEET 4/4		.xx±0.25	.xx°±1.5°	DESIGND BY: X.YAN
			.xxx±0.10	.xxx°±1.0°	