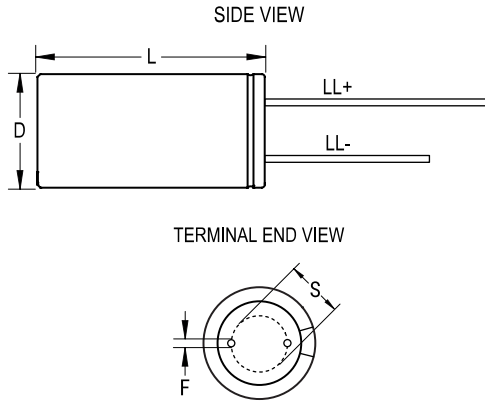


ESG, Aluminum Electrolytic, 47 uF, 20%, 250 VDC, -40/+105°C, Lead Spacing = 7.5mm



Dimensions

D	16mm +/-0.5mm
L	20mm +2mm
S	7.5mm +/-0.5mm
LL Negative	15mm MIN
LL Positive	20mm MIN
F	0.8mm NOM

Packaging Specifications

Packaging:	Bulk, Bag
Packaging Quantity:	1000

General Information

Series:	ESG
Dielectric:	Aluminum Electrolytic
Description:	Long Life Single Ended Aluminum Electrolytic
Features:	Long Life
RoHS:	Yes
Lead:	Wire Leads
AEC-Q200:	No

Specifications

Capacitance:	47 uF
Capacitance Tolerance:	20%
Voltage DC:	250 VDC, 300 VDC (Surge)
Temperature Range:	-40/+105°C
Rated Temperature:	105°C
Life:	5000 Hrs
Dissipation Factor:	15% 120Hz 20C
Ripple Current:	275 mAmps (120Hz 105C)
Leakage Current:	715 uA (2min 20°C)
Impedance Ratio at -25C:	3
Impedance Ratio at -40C:	6

Statements of suitability for certain applications are based on our knowledge of typical operating conditions for such applications, but are not intended to constitute - and we specifically disclaim - any warranty concerning suitability for a specific customer application or use. This Information is intended for use only by customers who have the requisite experience and capability to determine the correct products for their application. Any technical advice inferred from this Information or otherwise provided by us with reference to the use of our products is given gratis, and we assume no obligation or liability for the advice given or results obtained.