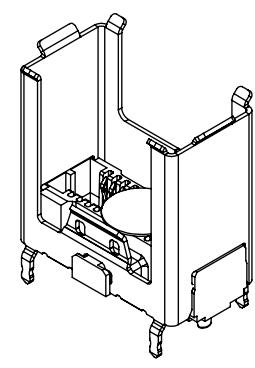
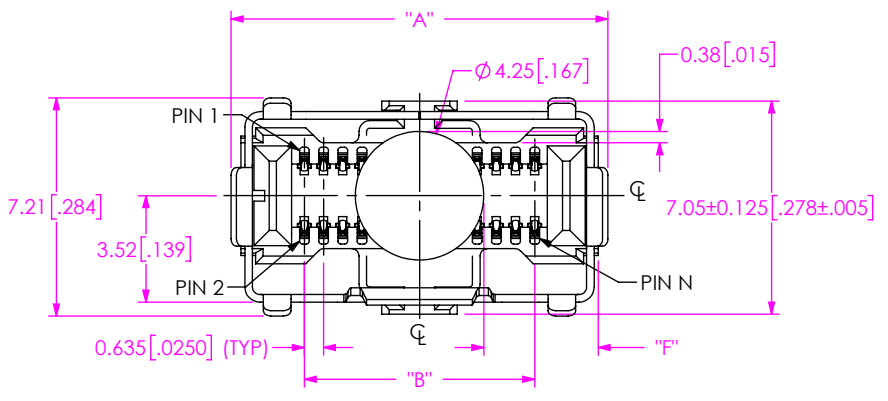


**DESIGNED AND DIMENSIONED IN MILLIMETERS [INCHES]
ALL DIMENSIONS REFERENCE EXCEPT AS SHOWN**

ARF6-XX-X-X-A-K-XR



No OF PAIRS (TOTAL)
-08
-16
-24

PLATING SPECIFICATION
-S: 30µ" SELECTIVE GOLD IN CONTACT AREA, MATTE TIN ON TAIL
-STL: 30µ" SELECTIVE GOLD IN CONTACT AREA, TIN/LEAD (90/10+/-5%) ON TAIL

TAPE & REEL (SEE NOTE 3 & 5)
-TR: TAPE & REEL
-FR: FULL REEL QTY TAPE & REEL

-K: POLYIMIDE PAD
-A: ALIGNMENT
ROWS
-D: DOUBLE

DO NOT SCALE FROM THIS PRINT

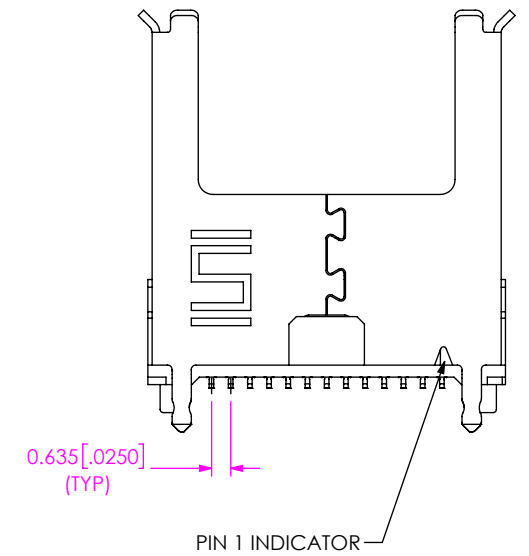
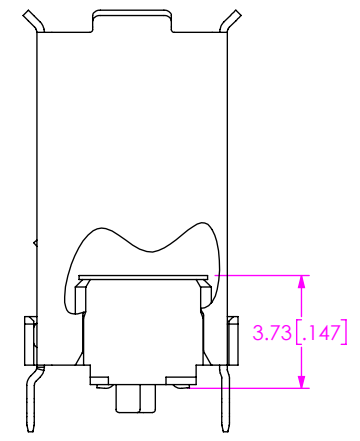
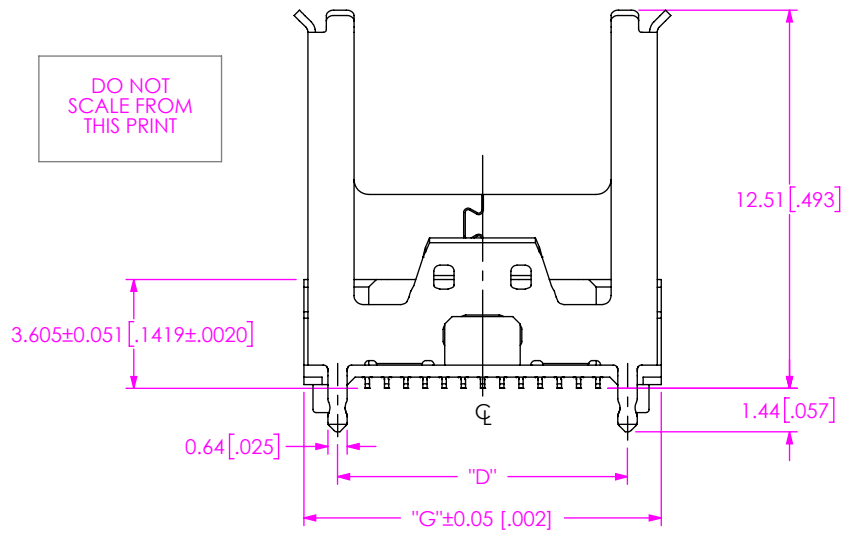


FIG 1
ARF6-08-X-D-A-K-XR SHOWN

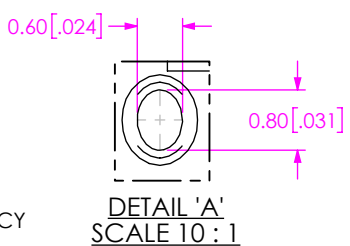
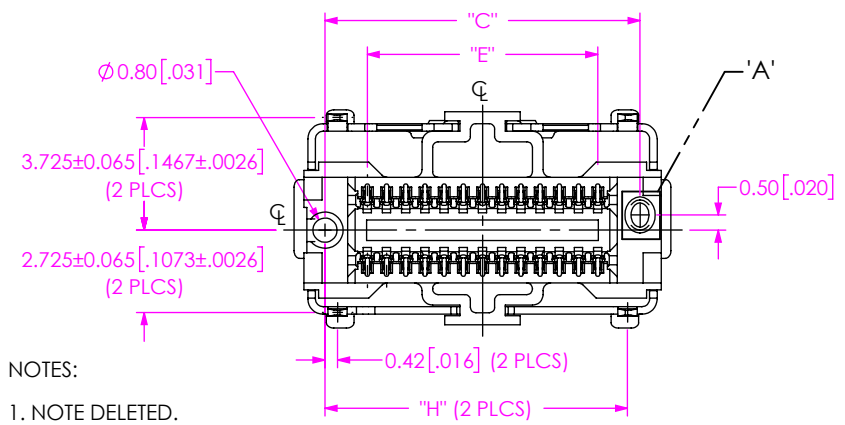


TABLE 1

NO OF PAIRS	"A"	"B"	"C"	"D"	"E"	"F"	"G"	"H"
-08	12.46 [0.491]	7.62 [0.300]	10.42 [0.410]	9.59 [0.378]	7.62 [0.300]	3.79 [0.149]	11.82 [0.465]	10.01 [0.394]
-16	20.08 [0.791]	15.24 [0.600]	18.04 [0.710]	17.21 [0.678]	15.24 [0.600]	7.60 [0.299]	19.44 [0.765]	17.63 [0.694]
-24	27.70 [1.091]	22.86 [0.900]	25.66 [1.010]	24.83 [0.978]	22.86 [0.900]	11.41 [0.449]	27.06 [1.065]	25.25 [0.994]

- NOTES:
- NOTE DELETED.
 - NOTE DELETED.
 - ATTACH LABEL-4X2 TO EACH REEL.
 - K-DOT PROVIDED AS STANDARD.
 - ORDERS WILL BE PACKAGED ACCORDING TO THE SAMTEC PACKAGING EFFICIENCY STANDARDS (SPES) FOUND ON WWW.SAMTEC.COM.

PROPRIETARY NOTE
THIS DOCUMENT CONTAINS CONFIDENTIAL AND PROPRIETARY INFORMATION AND ALL DESIGN, MANUFACTURING, REPRODUCTION, USE, PATENT RIGHTS AND SALES RIGHTS ARE EXPRESSLY RESERVED BY SAMTEC, INC. THIS DOCUMENT SHALL NOT BE DISCLOSED, IN WHOLE OR PART, TO ANY UNAUTHORIZED PERSON OR ENTITY NOR REPRODUCED, TRANSFERRED OR INCORPORATED IN ANY OTHER PROJECT IN ANY MANNER WITHOUT THE EXPRESS WRITTEN CONSENT OF SAMTEC, INC.

DO NOT SCALE DRAWING
SHEET SCALE: 4:1

MATERIAL:
INSULATOR: LCP
CONTACT & SHIELD: COPPER ALLOY

samtec
520 PARK EAST BLVD, NEW ALBANY, IN 47150
PHONE: 812-944-6733 FAX: 812-948-5047
e-Mail info@SAMTEC.com code 55322

DESCRIPTION: **ARF6 ASSEMBLY**
DWG. NO. **ARF6-XX-X-X-A-K-XR**