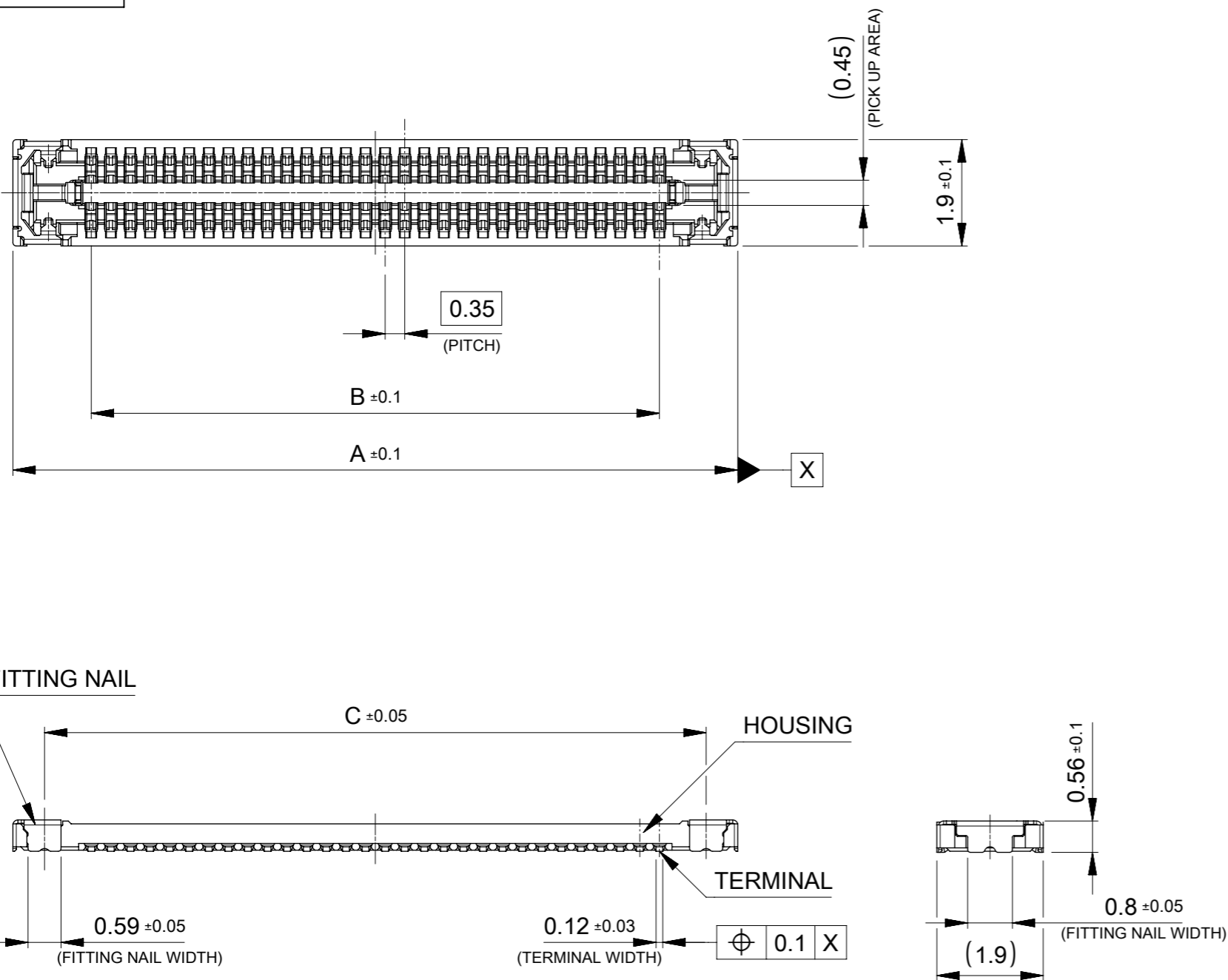


GENERAL DRAWING



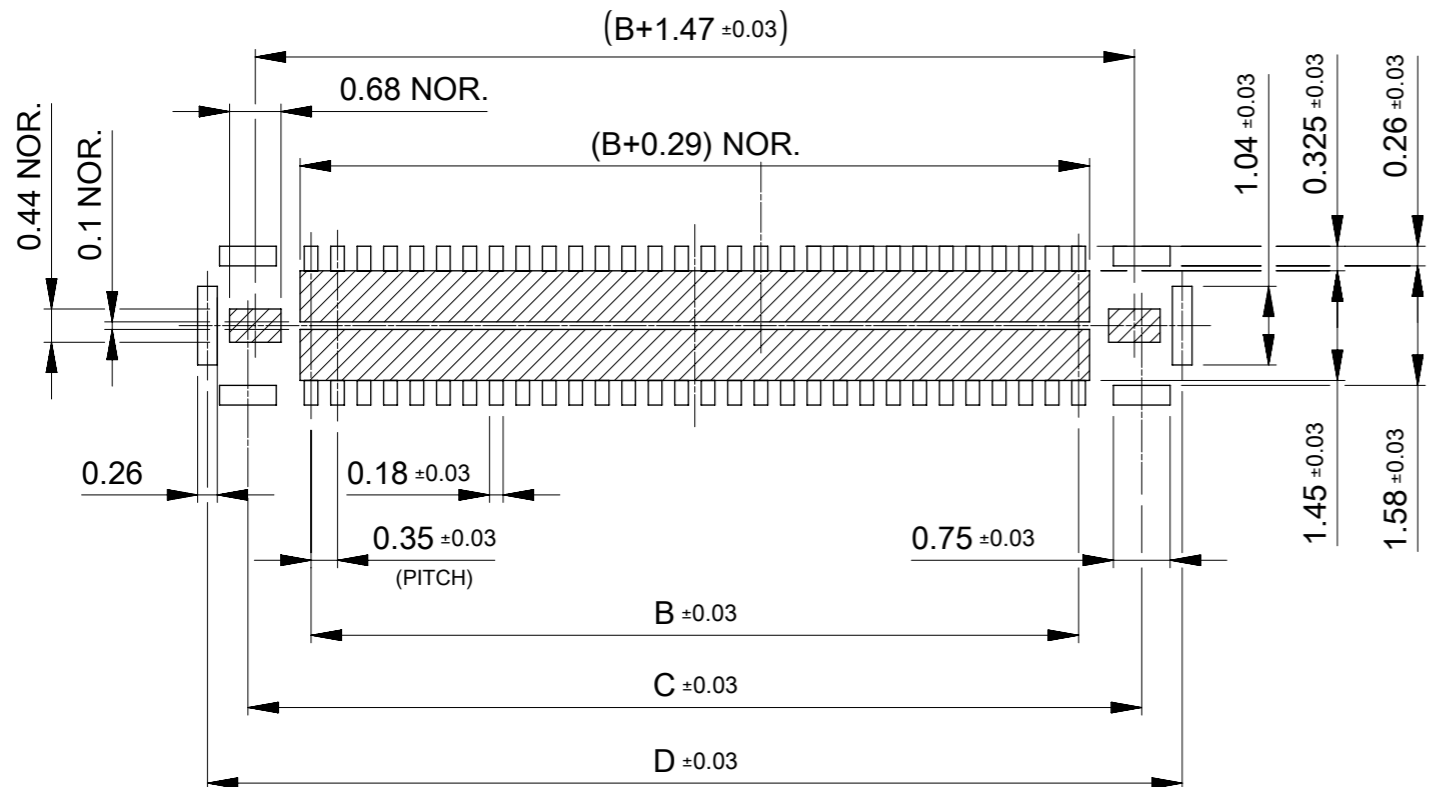
NOTES

- 1. MATERIAL**  
 HOUSING : LIQUID CRYSTAL POLIMER UL94V-0 (COLOR : BLACK)  
 TERMINAL : COPPER ALLOY  
 FITTING NAIL : COPPER ALLOY
- 2. PLATING**  
**TERMINAL :**  
 CONTACT AREA : GOLD PLATING(0.1µm MINIMUM)  
 SOLDER TAIL AREA : GOLD PLATING(0.05µm MINIMUM)  
 UNDER PLATING : NICKEL OVERALL(1.0µm MINIMUM)  
 \* DIVIED INTO PARTS THE GOLD PLATING OF THE CONTACT AND THE TAIL PART BY THE NICKEL PLATING.


**FITTING NAIL :**  
 CONTACT AREA : GOLD PLATING(0.1µm MINIMUM)  
 SOLDER TAIL AREA : GOLD PLATING(0.05µm MINIMUM)  
 UNDER PLATING : NICKEL OVERALL(1.0µm MINIMUM)  
 \* DIVIED INTO PARTS THE GOLD PLATING OF THE CONTACT AND THE TAIL PART BY THE NICKEL PLATING.
- 3. MATE WITH : 216701\*\*\*\***
- 4.COPLANARITY : SHALL BE 0.08MAX. ON BOTH OF TERMINAL AND NAIL.  
 AND 0.1 MAX AFTER REFLOW**
- 5. PROHIBITED AREA OF PATTERN WIRING AND SOLDER.  
 (FOR EACH AREA, THE WIRING THAT TOUCHES ON THE SOLDER CAN BE ATTACHED, THEN COVERED WITH A FILM TO KEEP SOLDER OUT)**

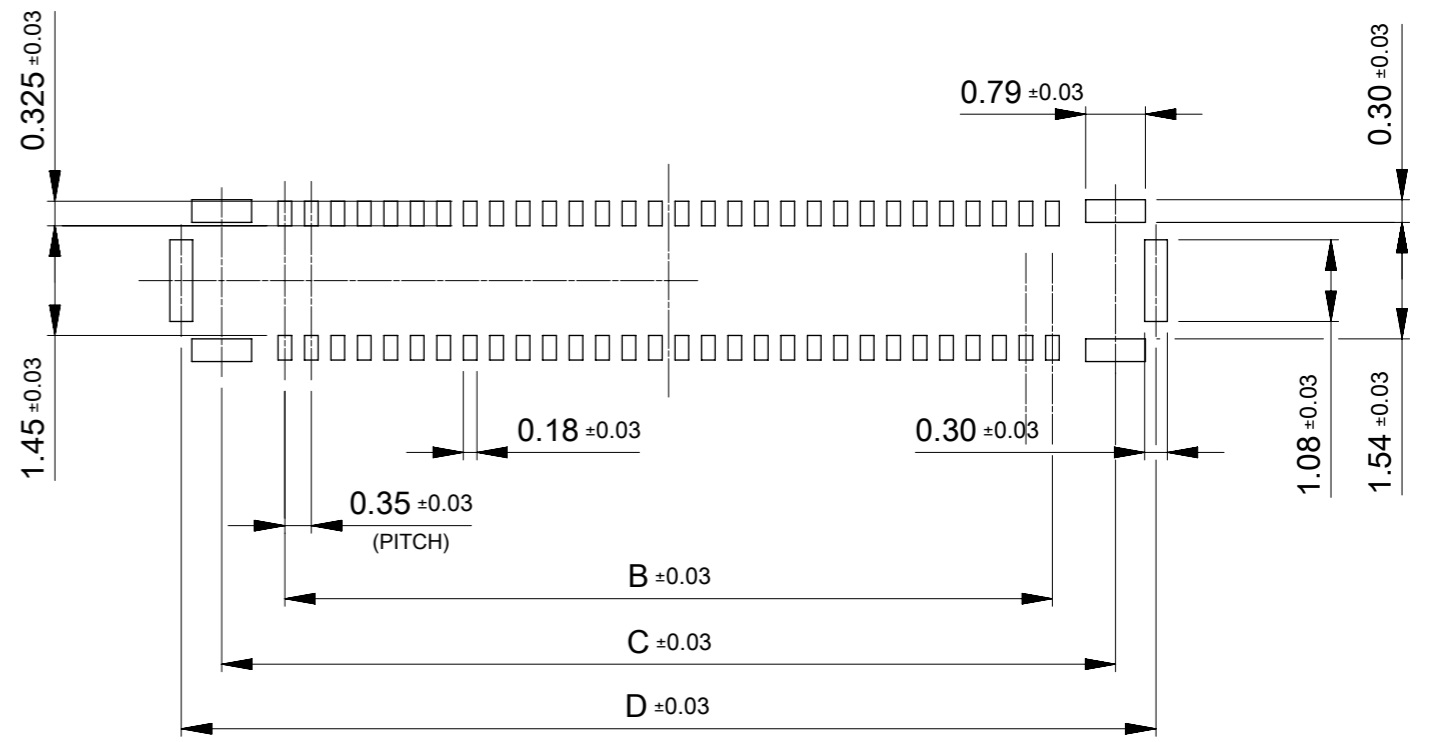
12.89	11.82	10.15	12.95	2167000609	---	O	60
11.84	10.77	9.10	11.90	2167000549	O	---	54
11.14	10.07	8.40	11.20	2167000509	O	---	50
9.39	8.32	6.65	9.45	2167000409	O	---	40
7.64	6.57	4.90	7.70	2167000309	---	O	30
6.59	5.52	3.85	6.65	2167000249	---	O	24
5.89	4.82	3.15	5.95	2167000209	O	---	20
4.14	3.07	1.40	4.20	2167000109	---	O	10
D	C	B	A	EMBOSSSED TAPE PACKAGE	HIGH VOL. TOOL	LOW VOL. TOOL	Ckts
ORDER No.				SAMPLE PREPARATION			
				O : TOOLED			
				□ : WORK PROCESS			
				--- : TOOLING TO BE CONFIRMED			
CONNECTOR SERIES No. : 216700****							

FUNCTIONAL SYMBOLS	THIS DRAWING CONTAINS INFORMATION THAT IS PROPRIETARY TO MOLEX ELECTRONIC TECHNOLOGIES, LLC AND SHOULD NOT BE USED WITHOUT WRITTEN PERMISSION		CURRENT REV DESC:		<b>molex</b>
	mm	10:1			
DIVISIONAL SYMBOLS	GENERAL TOLERANCES (UNLESS SPECIFIED)		EC NO: 746141		PRODUCT CUSTOMER DRAWING
	ANGULAR TOL ± 1.0°		DRWN: DWLEE02		
	4 PLACES	± 0.05	2023/04/14		DOCUMENT NUMBER
	3 PLACES	± 0.05	2023/04/14		
	2 PLACES	± 0.05	2023/04/17		DOC TYPE
	1 PLACE	± 0.1	2023/04/17		
	0 PLACES	± 0.2	2023/04/17		DOC PART
DRAFT WHERE APPLICABLE MUST REMAIN WITHIN DIMENSIONS		THIRD ANGLE PROJECTION	DRAWING	SERIES	
			A3-SIZE	216700	2167000000-SD
			SEE SHEET 1	GENERAL	002
					A
					1 OF 2



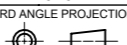
**RECOMMENDED P.C.BOARD PATTERN LAYOUT**  
(FOR REFERENCE)

 SOLDER PROHIBITED AREA.  
WHEN WIRING IS LOCATED,  
THE WIRING MUST BE MASKED BY COVER LAY OR RESIST FILM.

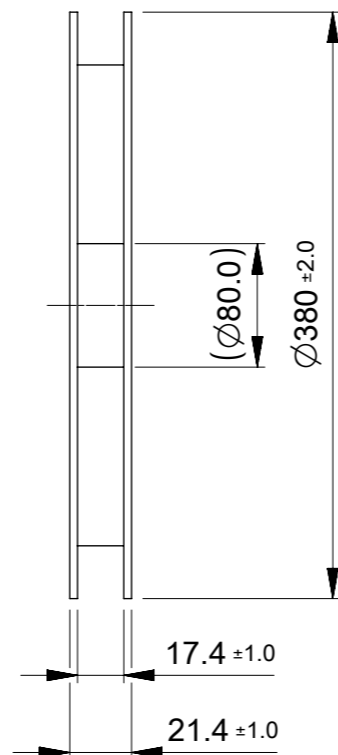
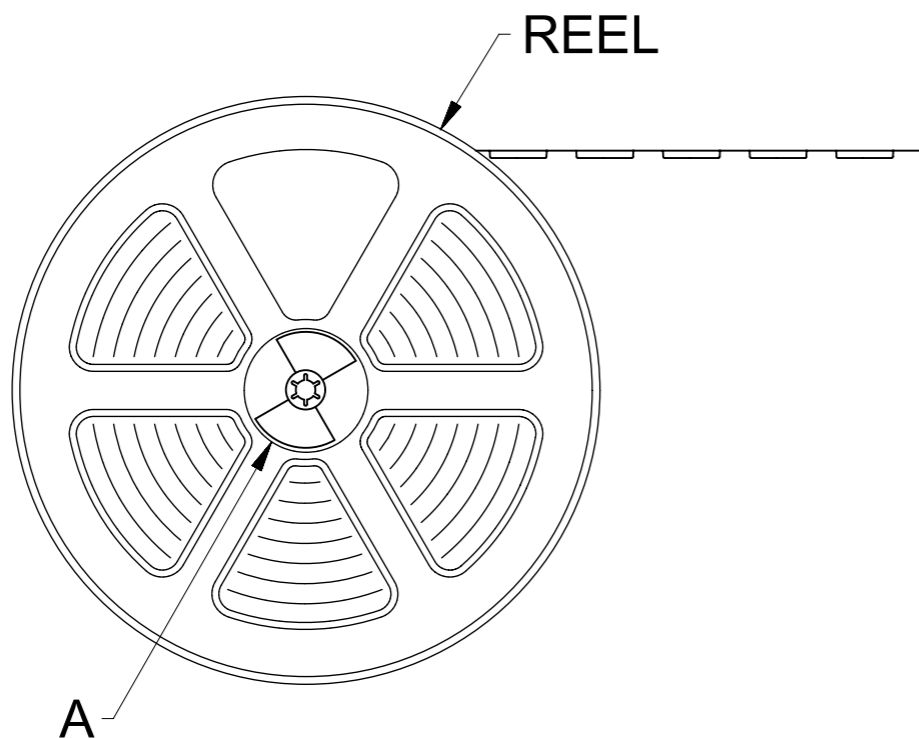


**RECOMMENDED METAL MASK LAYOUT**  
(FOR REFERENCE)

RECOMMENDED THICKNESS : 0.08mm  
RECOMMENDED APERTURE DIMENSION IS JUST SAME AS SHOWN FIGURE ABOVE.  
FOR THIS DIMENSION, APERTURE RATIO ARE SIGNAL TERMINAL 100% AND  
FITTING NAIL ALL 120%.

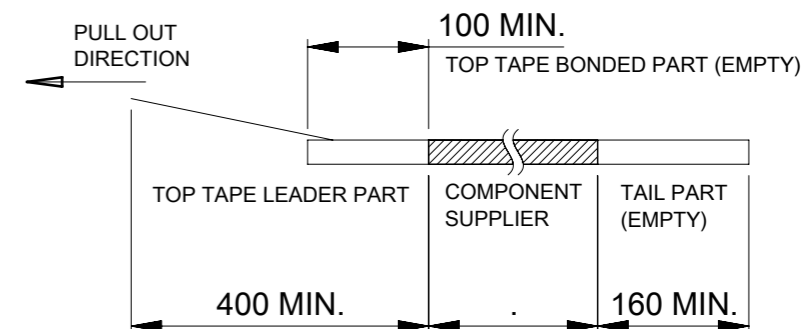
FUNCTIONAL SYMBOLS ▽/A = 0 ▽/E = 0 ▽/V = 0	THIS DRAWING CONTAINS INFORMATION THAT IS PROPRIETARY TO MOLEX ELECTRONIC TECHNOLOGIES, LLC AND SHOULD NOT BE USED WITHOUT WRITTEN PERMISSION		CURRENT REV DESC:		<b>molex</b>		
	DIMENSION UNITS	SCALE	EC NO: 746141				
	mm	10:1	DRWN: DWLEE02 2023/04/14				
	GENERAL TOLERANCES (UNLESS SPECIFIED)		CHK'D: JHCHANG 2023/04/14				
DIVISIONAL SYMBOLS	ANGULAR TOL ± 1.0 °		APPR: JBJIN 2023/04/17		PRODUCT CUSTOMER DRAWING		
	4 PLACES	± 0.05	INITIAL REVISION:				
	3 PLACES	± 0.05	DRWN: JHCHANG 2023/04/13				
	2 PLACES	± 0.05	APPR: JBJIN 2023/04/17				
1 PLACE	± 0.1	DOCUMENT NUMBER		DOC TYPE	DOC PART	REVISION	
0 PLACES	± 0.2	2167000000-SD		PSD	002	A	
DRAFT WHERE APPLICABLE MUST REMAIN WITHIN DIMENSIONS		THIRD ANGLE PROJECTION	DRAWING	SERIES	MATERIAL NUMBER	CUSTOMER	SHEET NUMBER
			A3-SIZE	216700	SEE SHEET1	GENERAL	2 OF 2

⇒ PULL OUT DIRECTION

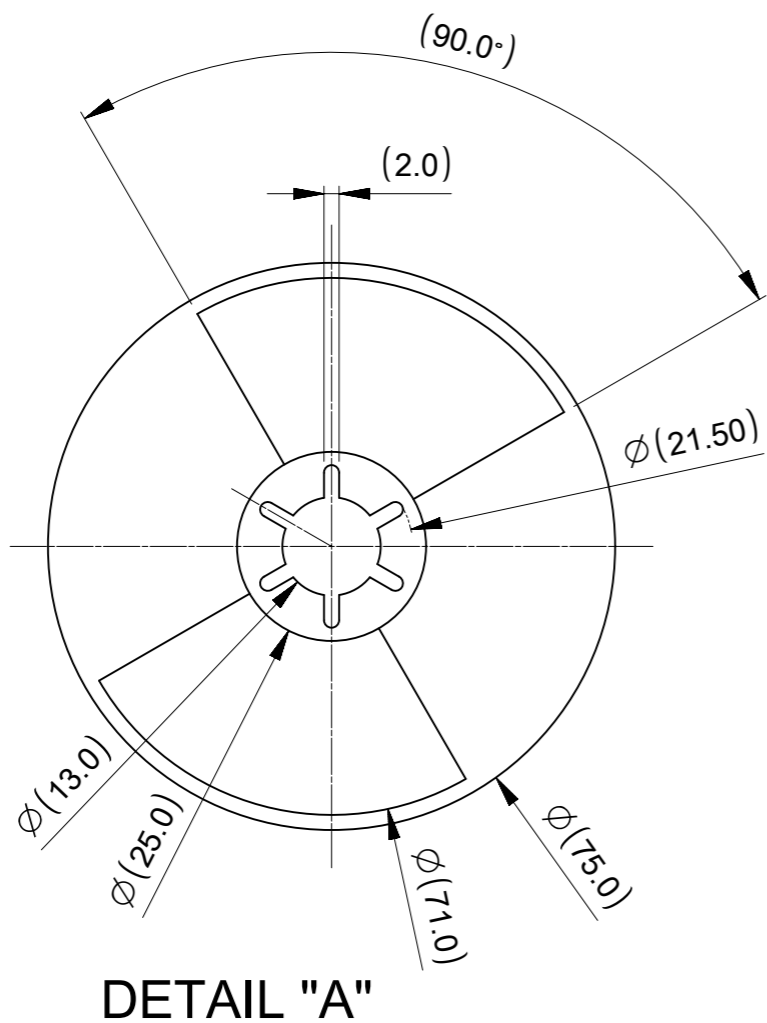


NOTES

1. RE DETAILED DIMENSION, SEE PRODUCT DRAWING.
2. NUMBER OF CONNECTORS : 20,000PCS/REEL
3. LEAD TAPE LENGTH :



4. PEEL OFF FORCE OF THE TOP TAPE IS DEFINDED BY IEC 60286-3.
5. MATERIAL
  - CARRIER TAPE : POLYSTYRENE OR PET
  - TOP TAPE : PET, OTHER
  - REEL : POLYSTYRENE(PS) [RECYCLE MATERIAL CONTAINED]



DETAIL "A"

FUNCTIONAL SYMBOLS	THIS DRAWING CONTAINS INFORMATION THAT IS PROPRIETARY TO MOLEX ELECTRONIC TECHNOLOGIES, LLC AND SHOULD NOT BE USED WITHOUT WRITTEN PERMISSION		CURRENT REV DESC:		<b>molex</b>		
	$\nabla_A = 0$	mm	SCALE 1:1				
$\nabla_E = 0$	GENERAL TOLERANCES (UNLESS SPECIFIED)				0.35 BB H=0.6 ACB6 PLUS REC ASSY PKG		
$\nabla_F = 0$	ANGULAR TOL $\pm 1.0^\circ$						
DIVISIONAL SYMBOLS	4 PLACES	$\pm 0.05$	EC NO: 746141	2023/04/14	PRODUCT CUSTOMER DRAWING		
	3 PLACES	$\pm 0.05$	DRWN: DWLEE02	2023/04/14			
	2 PLACES	$\pm 0.05$	CHK'D: JHCHANG	2023/04/17			
	1 PLACE	$\pm 0.1$	APPR: JBJIN	2023/04/17			
	0 PLACES	$\pm 0.2$	INITIAL REVISION:				
DRAFT WHERE APPLICABLE MUST REMAIN WITHIN DIMENSIONS		THIRD ANGLE PROJECTION	DRAWING	SERIES	MATERIAL NUMBER	CUSTOMER	SHEET NUMBER
			A3-SIZE	216700	2167000001-SD	GENERAL	1 OF 2

PULL OUT DIRECTION →

EMBOSS CARRIER TAPE

TOP TAPE

H ±0.10

0.30 ±0.05

(0.73)

(1.13)

SECTION A-A

0.73 ±0.05

2.10 ±0.05

SECTION C-C

∅ 1.55 ±0.05

4.00 ±0.10

2.00 ±0.10

1.75 ±0.10

G ±0.10

J ±0.10

13.08	11.50	24.00	2167000609	---	O	60
12.03			2167000549	O	---	54
11.33			2167000509	O	---	50
9.58	9.25	16.00	2167000409	O	---	40
7.83			2167000309	---	O	30
6.78			2167000249	---	O	24
6.08			2167000209	O	---	20
4.33			2167000109	---	O	10
H	J	G	EMBOSSED TAPE PACKAGE	HIGH VOL. TOOL	LOW VOL. TOOL	Ckts
ORDER No.			SAMPLE PREPARATION			
			O : TOOLED □ : WORK PROCESS --- : TOOLING TO BE CONFIRMED			
CONNECTOR SERIES No. : 216700****						

FUNCTIONAL SYMBOLS	THIS DRAWING CONTAINS INFORMATION THAT IS PROPRIETARY TO MOLEX ELECTRONIC TECHNOLOGIES, LLC AND SHOULD NOT BE USED WITHOUT WRITTEN PERMISSION		CURRENT REV DESC:		<b>molex</b>		
	∇ <sub>A</sub> = 0	DIMENSION UNITS: mm					
∇ <sub>E</sub> = 0	GENERAL TOLERANCES (UNLESS SPECIFIED)		EC NO: 746141		0.35 BB H=0.6 ACB6 PLUS REC ASSY PKG		
∇ <sub>F</sub> = 0	ANGULAR TOL ± 1.0°		DRWN: DWLEE02				
DIVISIONAL SYMBOLS	4 PLACES	± 0.05	CHK'D: JHCHANG		2023/04/14		
	3 PLACES	± 0.05	APPR: JBJIN		2023/04/17		
	2 PLACES	± 0.05	INITIAL REVISION:		DOCUMENT NUMBER		
	1 PLACE	± 0.1	DRWN: JHCHANG		2167000001-SD		DOC TYPE
0 PLACES	± 0.2	APPR: JBJIN		2023/04/13		DOC PART	
DRAFT WHERE APPLICABLE MUST REMAIN WITHIN DIMENSIONS		THIRD ANGLE PROJECTION	DRAWING	SERIES	MATERIAL NUMBER	CUSTOMER	REVISION
			A3-SIZE	216700	SEE SHEET2	GENERAL	A
							SHEET NUMBER
							2 OF 2