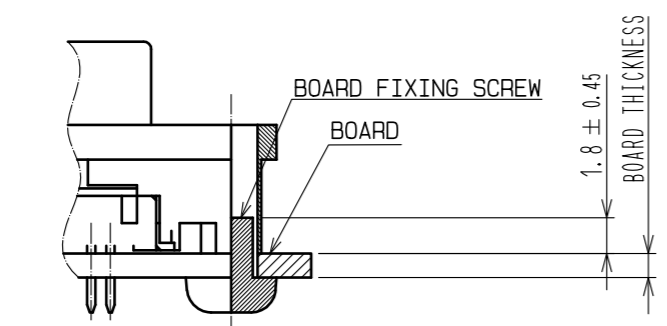
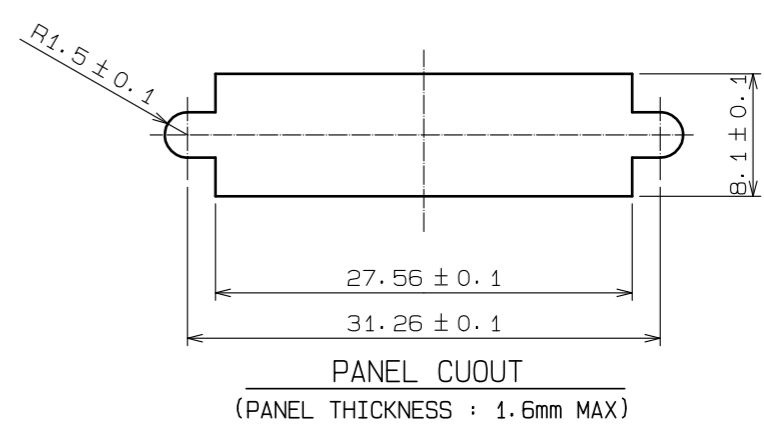
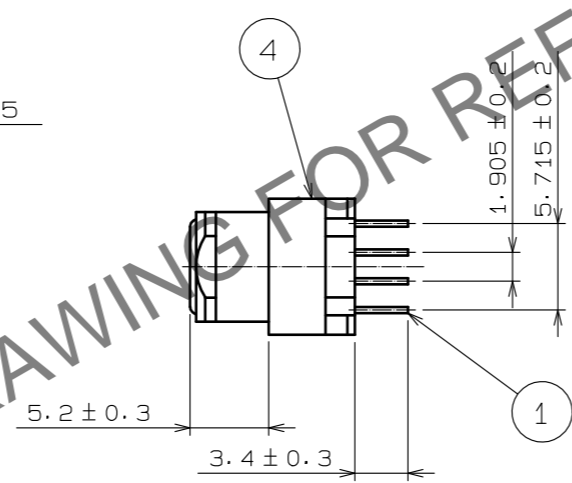
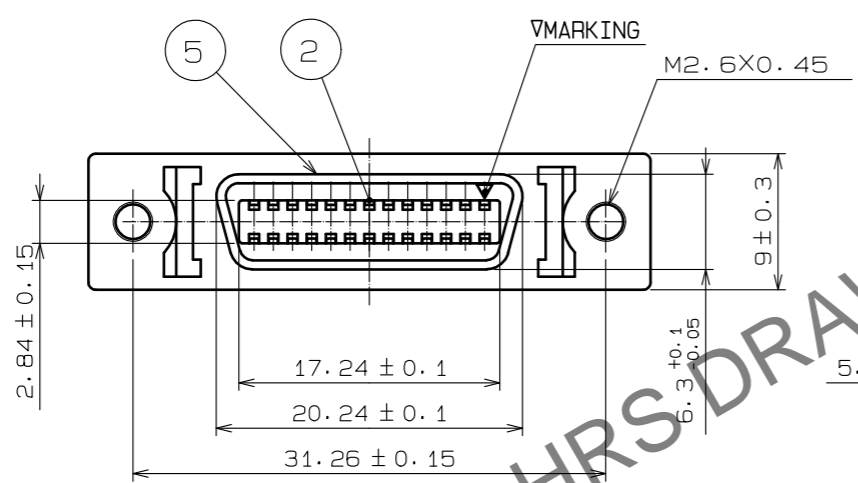
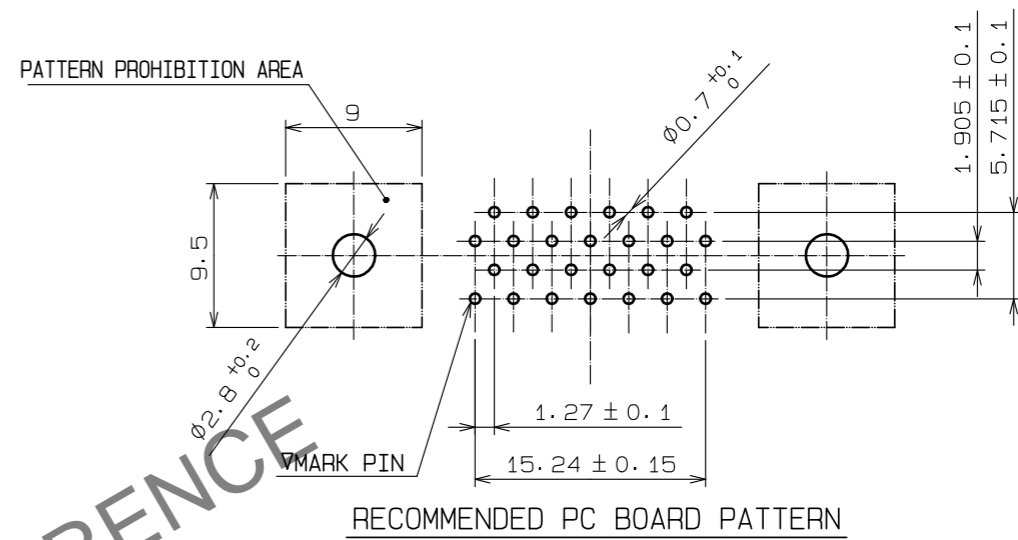
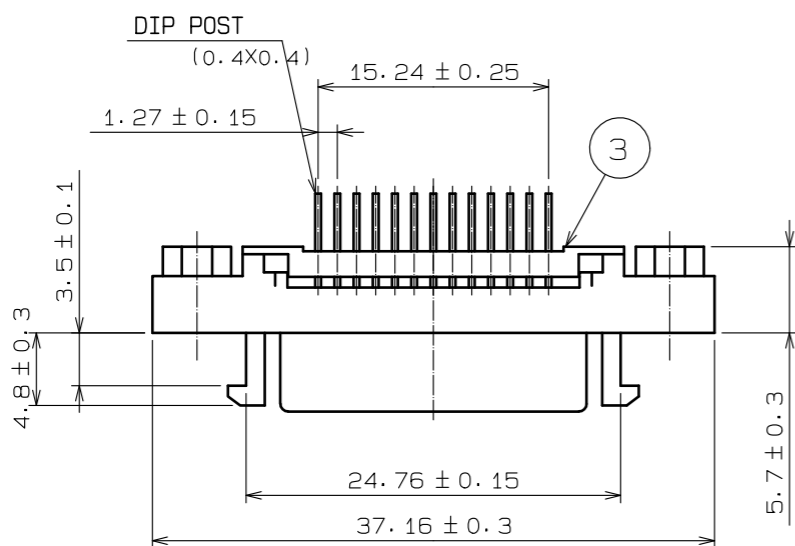


May.1.2024 Copyright 2024 HIROSE ELECTRIC CO., LTD. All Rights Reserved.
In case of consideration for using Automotive equipment / device which demand high reliability, kindly contact our sales window correspondents.



△ 2 > PRODUCT - BOARD MOUNTED

- △ NOTE 1 > Contact area : Gold plating 0.3μm min
Lead area : Gold plating 0.03μm min
Under : Nickel plating 2μm min
- △ 2 > This product must be screwed to the board.
Please prepare the screws by the customer.
<SCREW REQUIREMENTS>
NOMINAL DIAMETER: M2.6 x 0.45
SCREW LENGTH : 1.8 ± 0.45 + BOARD thickness 't'

3	PBT	UL94V-0(BLACK)		
2	PBT	UL94V-0(BLACK)	5	STEEL NICKEL PLATING
1	PHOSPHOR BRONZE	△ 1 >	4	ZINC ALLOY DIE CASTING NICKEL PLATING
NO.	MATERIAL	FINISH . REMARKS	NO.	MATERIAL FINISH . REMARKS
UNITS mm	⊙	SCALE 2 : 1	COUNT 4	DESCRIPTION OF REVISIONS DIS-E-00010989
			DESIGNED KG. OKITA	CHECKED MN. KENJO
			DATE 20220908	
APPROVED : HO. MIWA		20050105	DRAWING NO. EDC3-041444-01	
CHECKED : YH. ENAMI		20050105	PART NO. DX20M-26S(50)	
DESIGNED : TU. TANIGUCHI		20050105	CODE NO. CL0230-5014-0-50	
DRAWN : TU. TANIGUCHI		20050105	1/1	