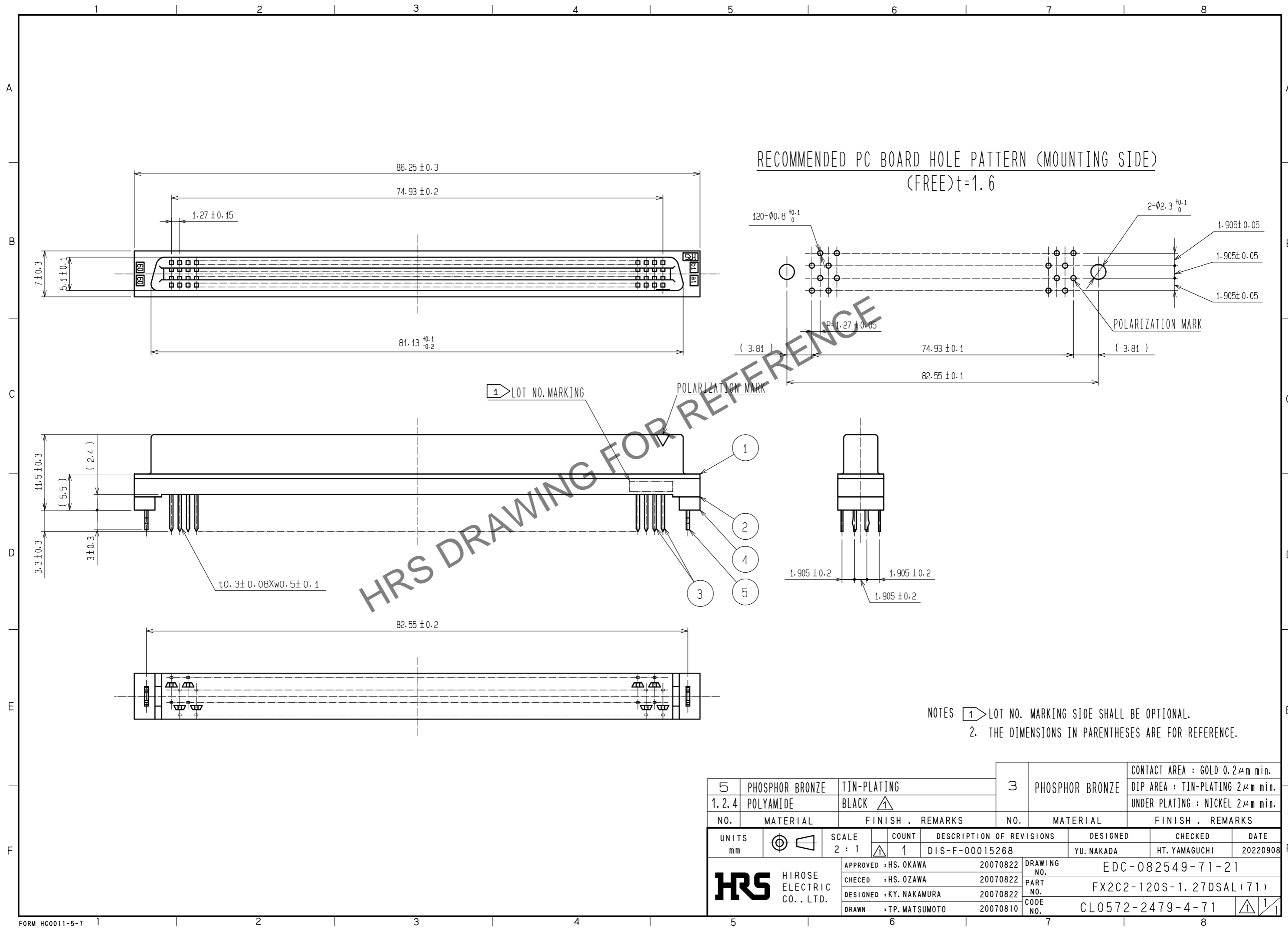


Jul.1.2024 Copyright 2024 HIROSE ELECTRIC CO., LTD. All Rights Reserved.
 In case of consideration for using Automotive equipment / device which demand high reliability, kindly contact our sales window correspondents.



NOTES 1 LOT NO. MARKING SIDE SHALL BE OPTIONAL.
 2. THE DIMENSIONS IN PARENTHESES ARE FOR REFERENCE.

5	PHOSPHOR BRONZE	TIN-PLATING	3	PHOSPHOR BRONZE	CONTACT AREA : GOLD 0.2μm min. DIP AREA : TIN-PLATING 2μm min. UNDER PLATING : NICKEL 2μm min.
1, 2, 4	POLYAMIDE	BLACK			
NO.	MATERIAL	FINISH . REMARKS	NO.	MATERIAL	FINISH . REMARKS
UNITS	mm	SCALE	2 : 1	COUNT	1
DESCRIPTION OF REVISIONS			DESIGNED	CHECKED	DATE
DIS-F-00015268			YU. NAKADA	HT. YAMAGUCHI	20220908
APPROVED : HS. OKAWA			DRAWING NO. EDC-082549-71-21		
CHECKED : HS. OZAWA			PART NO. FX2C2-120S-1. 27DSAL (71)		
DESIGNED : KY. NAKAMURA			CODE NO. CL0572-2479-4-71		
DRAWN : TP. MATSUMOTO			1/1		