



## Ex position switch with safety function Ex 14 D 2Ö - 5m Material number: on request

### Features/Options

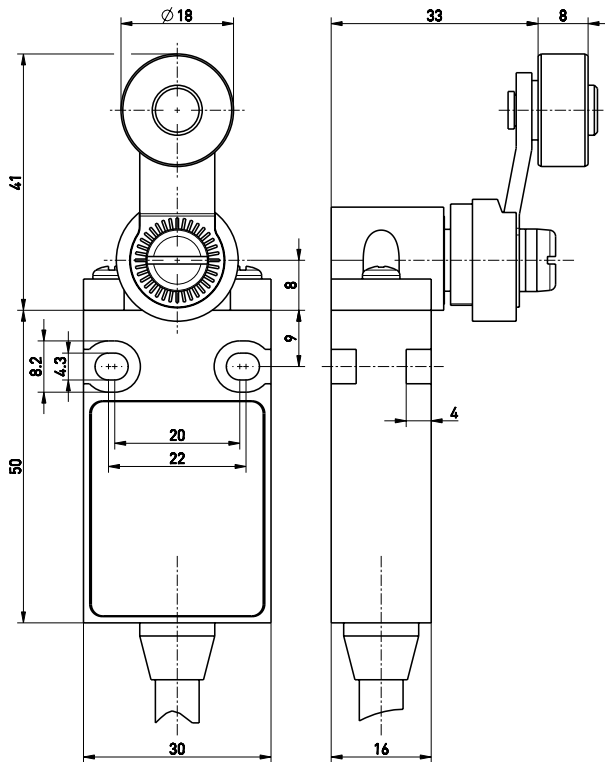
- Ex zone 1 and 21
- Thermoplastic enclosure
- Double insulated
- Mounting details to EN 50047
- Suitable for in-line mounting
- With pre-wired cable, cable length 5 m

### Note

- With metal roller available on request

- Actuator: Rocking lever D
- Actuating speed max. 0.5 m/s with a vertical actuating angle of 45°
- Wear-resistant plastic roller
- Lever can be repositioned in 10° steps clockwise or counter-clockwise
- Actuator can be repositioned by 180°
- N.B.: Please state required approvals for Russia, China, Brazil and North America with your order!

### Dimensions



### Technical data

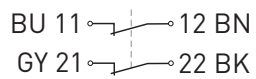
<b>Standards</b>	EN 60947-5-1; EN 60079-0, EN 60079-1, EN 60079-31; EN ISO 13849-1; EN ISO 14119
<b>Enclosure</b>	glass-fibre reinforced, shock-proof thermoplastic, self-extinguishing UL 94-V0 type 1
<b>Switch type</b>	type 1
<b>Coding level</b>	no coding
<b>Degree of protection</b>	IP 65 to IEC/EN 60529
<b>Contact material</b>	silver
<b>Switching system</b>	slow action, positive break NC contacts $\ominus$
<b>Switching elements</b>	2 NC contacts, type Zb
<b>Connection</b>	cable H05VV-F, 4 x 0.75 mm <sup>2</sup>
<b>B<sub>10d</sub> (10 % Load)</b>	2 million
<b>T<sub>M</sub></b>	max. 20 years
<b>U<sub>imp</sub></b>	4 kV
<b>U<sub>i</sub></b>	250 V
<b>I<sub>the</sub></b>	T6: 6 A, T5: 3 A
<b>I<sub>e</sub>/U<sub>e</sub></b>	6 A/250 VAC; 0.25 A/230 VDC
<b>Utilisation category</b>	AC-15; DC-13
<b>Max. fuse rating</b>	6 A gG/gN fuse
<b>Ambient temperature</b>	T6: -20 °C ... +65 °C, T5: -20 °C ... +75 °C, +90 °C with max. 3 A
<b>Mechanical life</b>	> 1 million operations
<b>Operation cycles</b>	1800/h
<b>Repeat accuracy of switching points</b>	± 0.1 mm
<b>Contact opening</b>	max. 2 x 4 mm
<b>Impact energy</b>	max. 4 J
<b>Ex marking</b>	$\text{Ex}$ II 2G Ex d IIC T6/T5 Gb, $\text{Ex}$ II 2D Ex tb IIIC T80 °C/T95 °C Db IECEx Ex d IIC T6/T5 Gb, Ex tb IIIC T80 °C/T95 °C Db
<b>Approvals</b>	PTB 03 ATEX 1070 X IECEx PTB 06.0098X
<b>Weight</b>	780 g



## Ex position switch with safety function Ex 14 D 2Ö - 5m Material number: on request

Errors and omissions excepted.

### Contact diagram



### Switching diagram

