

# TLE8457A / TLE8457B

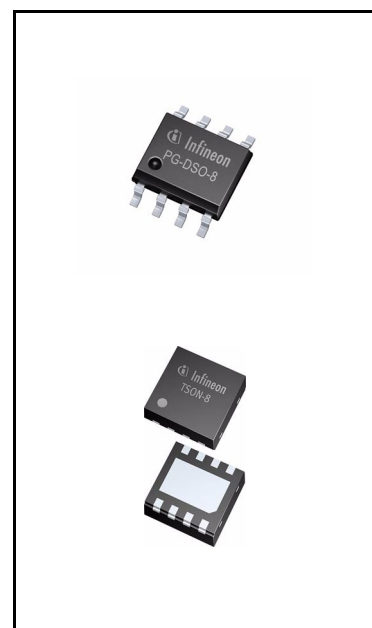
## LIN Transceiver with integrated voltage regulator



### 1 Overview

#### Features

- Single-wire LIN transceiver for transmission rates up to 20 kBit/s
- Compliant to ISO 17987-4, LIN specification 2.2 A and SAE J2602
- 5 V or 3.3 V low drop-out linear voltage regulator with 70 mA current capability
- Stable with ceramic output capacitor of 1  $\mu$ F
- Ultra low current consumption in sleep mode of max. 16  $\mu$ A
- Ultra low current consumption in standby mode of typical 20  $\mu$ A
- Very low leakage current on the BUS pin
- $V_{CC}$  undervoltage detection with RESET output
- TxD protected with dominant time-out function
- Initialization watchdog with automatic transition to sleep mode
- BUS short to  $V_{BAT}$  protection and BUS short to GND handling
- Overtemperature protection and supply undervoltage detection
- Very high ESD robustness:  $\pm 8$  kV according to IEC61000-4-2
- Optimized for high electromagnetic compatibility (EMC); Very low emission and high immunity to interference
- Available in standard PG-DSO-8 and leadless PG-TSON-8 packages
- PG-TSON-8 package supports automated optical inspection (AOI)
- Green Product (RoHS compliant)



#### Potential applications

- LIN slave satellite modules
- Window lifters
- Rain and light sensors
- Sun roof control modules
- Wiper modules
- Ambient lighting

## Overview

## Product validation

Qualified for automotive applications. Product validation according to AEC-Q100.

## Description

The TLE8457A / TLE8457B is a monolithic integrated LIN transceiver and low drop-out voltage regulator. The device is designed to supply a microcontroller and peripherals with up to 70 mA, provide protection through  $V_{CC}$  undervoltage reset, while also offering bi-directional bus communication compliant to LIN specification 2.2 A and SAE J2602. With the ultra low quiescent current consumption of typical 20  $\mu$ A in standby mode the TLE8457A / TLE8457B is especially suited for applications that are permanently supplied by the battery.

Based on the Infineon BiCMOS technology the TLE8457A / TLE8457B provide excellent ESD robustness together with a very high level of electromagnetic compatibility (EMC). The TLE8457A / TLE8457B is AEC qualified and tailored to withstand the harsh conditions of the automotive environment.

| Type       | LDO $V_{CC}$ output voltage | Package   | Marking | Init timeout feature <sup>1)</sup> |
|------------|-----------------------------|-----------|---------|------------------------------------|
| TLE8457ASJ | 5 V                         | PG-DSO-8  | 8457A   | Yes                                |
| TLE8457ALE | 5 V                         | PG-TSON-8 | 8457A   | Yes                                |
| TLE8457BSJ | 3.3 V                       | PG-DSO-8  | 8457B   | Yes                                |
| TLE8457BLE | 3.3 V                       | PG-TSON-8 | 8457B   | Yes                                |

1) Please refer to TLE8457C & TLE8457D if "Init timeout feature" is not needed.

## Table of contents

|          |  |           |
|----------|--|-----------|
| <b>1</b> | <b>Overview</b> .....                              | <b>1</b>  |
|          | <b>Features</b> .....                              | <b>1</b>  |
|          | <b>Potential applications</b> .....                | <b>1</b>  |
|          | <b>Product validation</b> .....                    | <b>2</b>  |
|          | <b>Description</b> .....                           | <b>2</b>  |
|          | <b>Table of contents</b> .....                     | <b>3</b>  |
| <b>2</b> | <b>Block diagram</b> .....                         | <b>4</b>  |
| <b>3</b> | <b>Pin configuration</b> .....                     | <b>5</b>  |
| 3.1      | Pin assignment .....                               | 5         |
| 3.2      | Pin definitions and functions .....                | 5         |
| <b>4</b> | <b>Functional description</b> .....                | <b>6</b>  |
| 4.1      | Operating modes .....                              | 6         |
| 4.1.1    | Normal operation mode .....                        | 8         |
| 4.1.2    | Standby mode .....                                 | 8         |
| 4.1.3    | Init mode .....                                    | 9         |
| 4.1.4    | Sleep mode .....                                   | 10        |
| 4.1.5    | Bus wake-up event .....                            | 10        |
| 4.1.6    | Mode transition via EN pin .....                   | 11        |
| 4.2      | Power supplies .....                               | 12        |
| 4.2.1    | Power-up and power-down .....                      | 12        |
| 4.2.2    | $V_S$ undervoltage detection .....                 | 13        |
| 4.3      | Voltage regulator .....                            | 14        |
| 4.3.1    | $V_{CC}$ undervoltage detection .....              | 14        |
| 4.3.2    | Reset output .....                                 | 14        |
| 4.4      | Initialization watchdog .....                      | 15        |
| 4.5      | LIN transceiver .....                              | 17        |
| 4.5.1    | TxD time-out .....                                 | 18        |
| 4.5.2    | Short-circuit .....                                | 18        |
| 4.6      | Overtemperature protection .....                   | 18        |
| <b>5</b> | <b>General product characteristics</b> .....       | <b>19</b> |
| 5.1      | Absolute maximum ratings .....                     | 19        |
| 5.2      | Functional range .....                             | 20        |
| 5.3      | Thermal characteristics .....                      | 21        |
| <b>6</b> | <b>Electrical characteristics</b> .....            | <b>22</b> |
| 6.1      | Functional device characteristics .....            | 22        |
| 6.2      | Diagrams .....                                     | 28        |
| <b>7</b> | <b>Application information</b> .....               | <b>29</b> |
| 7.1      | Application example .....                          | 29        |
| 7.2      | ESD robustness according to IEC61000-4-2 .....     | 30        |
| 7.3      | Transient robustness according to ISO 7637-2 ..... | 30        |
| 7.4      | LIN physical layer compatibility .....             | 30        |
| <b>8</b> | <b>Package information</b> .....                   | <b>31</b> |
| <b>9</b> | <b>Revision history</b> .....                      | <b>32</b> |

Block diagram

2 Block diagram

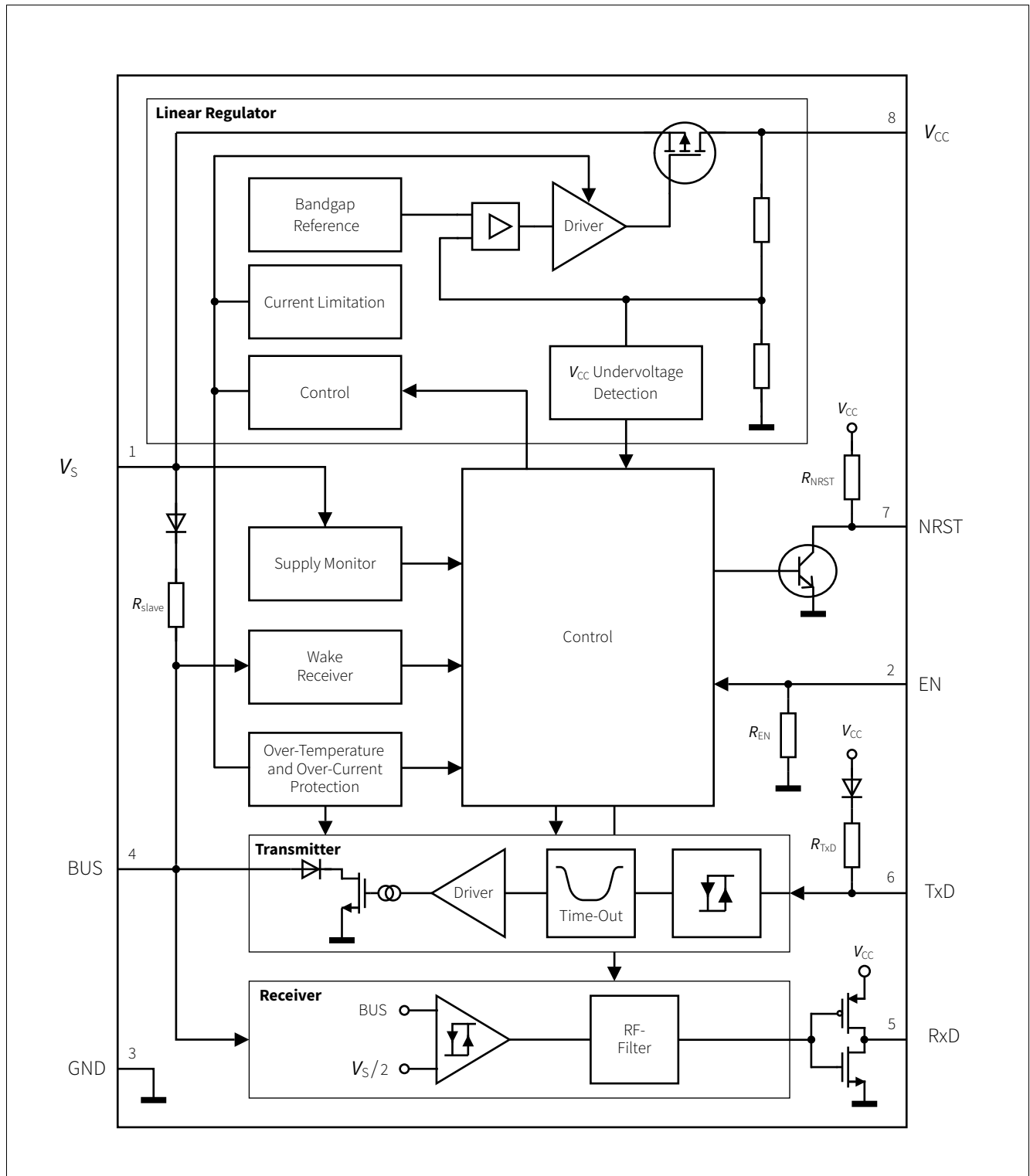


Figure 1 Block diagram

Pin configuration

### 3 Pin configuration

#### 3.1 Pin assignment

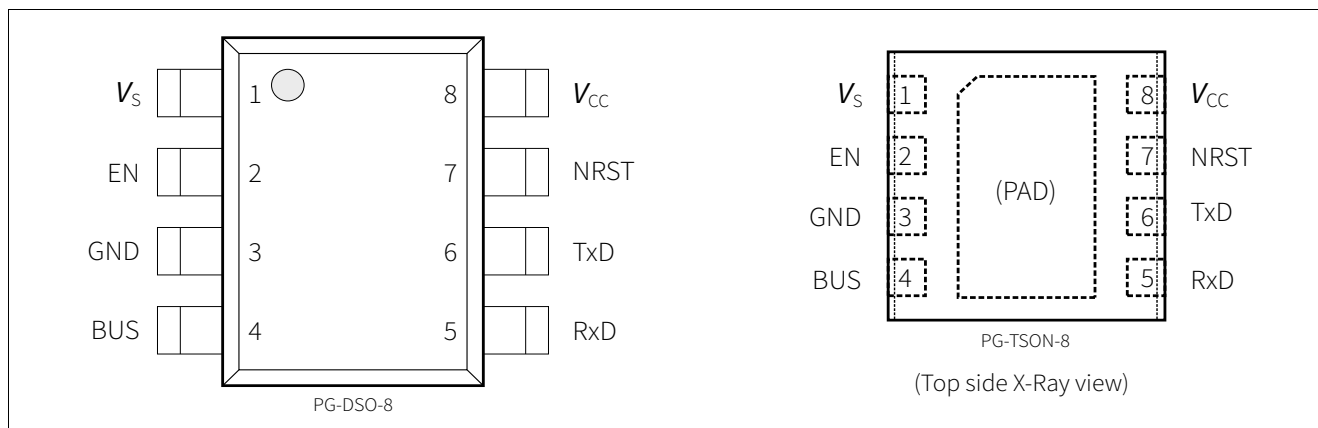


Figure 2 Pin configuration

#### 3.2 Pin definitions and functions

| Pin               | Symbol | Function  |
|-------------------|--------|---|
| 1                 | VS     | <b>Battery supply voltage;</b><br>Decoupling capacitor required   |
| 2                 | EN     | <b>Enable input;</b><br>Integrated pull-down resistor<br>Logic “high” to select normal operation mode                         |
| 3                 | GND    | <b>Ground</b>   |
| 4                 | BUS    | <b>BUS input/output;</b><br>Integrated LIN slave termination  |
| 5                 | RxD    | <b>Receive data output;</b><br>Monitors the LIN bus signal in normal operation mode<br>Indicates a wake-up event in init mode |
| 6                 | TxD    | <b>Transmit data input;</b><br>Integrated pull-up resistor<br>Logic “low” to drive a dominant signal on the LIN bus           |
| 7                 | NRST   | <b>Undervoltage reset output;</b><br>Integrated pull-up resistor<br>Logical “low” during reset                                |
| 8                 | VCC    | <b>Voltage regulator output;</b><br>Output capacitor requirements specified in functional device characteristics              |
| PAD <sup>1)</sup> | –      | Connect to PCB heat sink area. Do not connect to other potential than GND   |

1) Only available with PG-TSON8 package.

**Functional description**

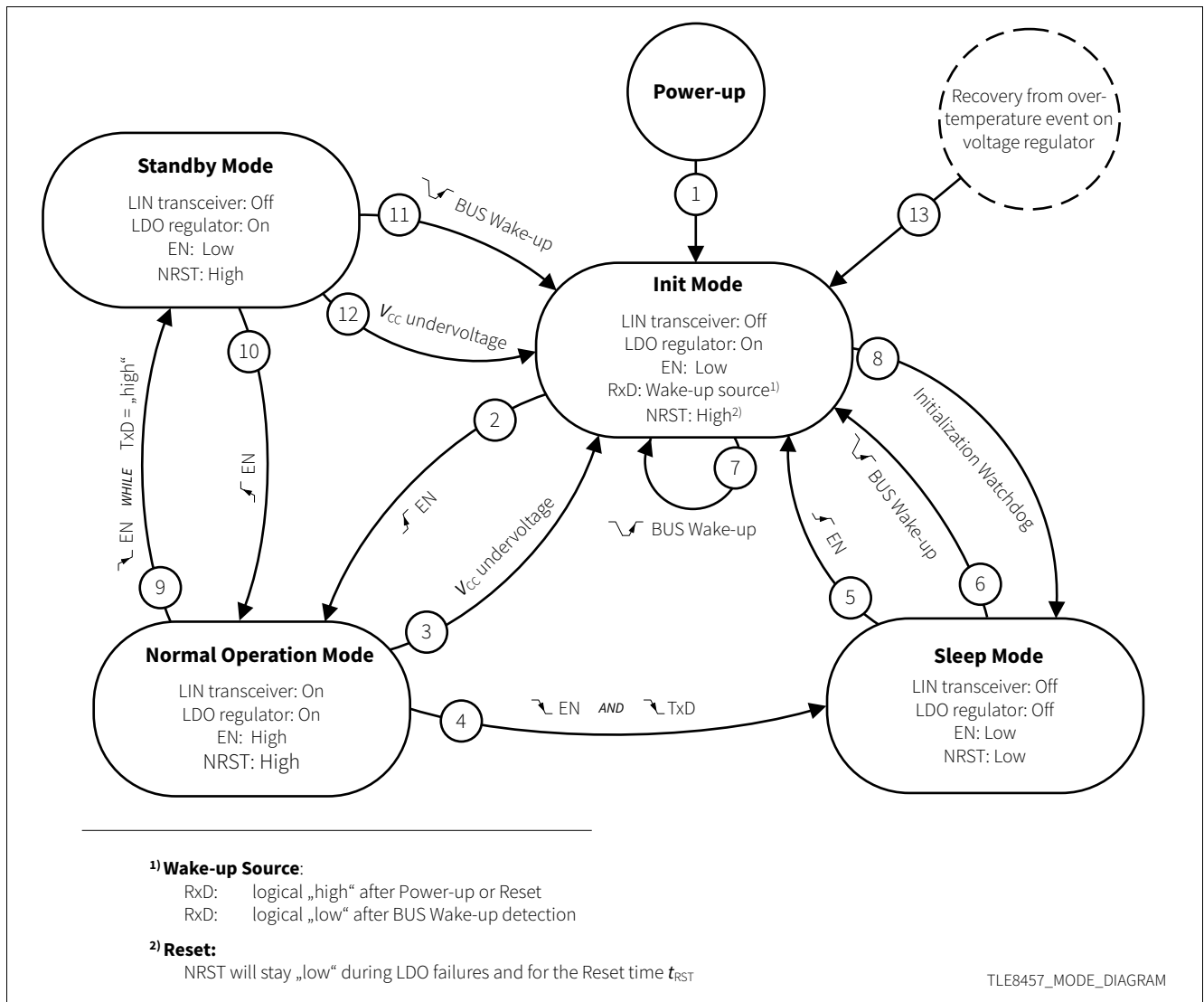
**4 Functional description**

**4.1 Operating modes**

The operation mode of the TLE8457A / TLE8457B is controlled with the EN and TxD input pins (see **Figure 3** and **Table 2**). The TLE8457A / TLE8457B has 3 major operation modes:

- Normal operation mode
- Standby mode
- Sleep mode

Additionally the TLE8457A / TLE8457B has an init mode that is automatically entered when powering up, detecting wake-up events or in case of malfunctions.



**Figure 3 Operation mode state diagram**

**Functional description**

**Table 1 Operation mode transitions**

| No. | Reason for transition                    | Comment  |
|-----|--|--|
| 1   | Power-on detection                       | The $V_S$ supply voltage rise above the $V_{S,PO\text{N}}$ power-on reset level.   |
| 2   | Mode change with EN input                | Triggered by logic “high” level.   |
| 3   | $V_{CC}$ undervoltage detection          | $V_{CC}$ output voltage fall below the reset threshold level.  |
| 4   | Mode change with EN and TxD inputs       | Triggered by logic “low” level on EN and TxD.  |
| 5   | Mode change with EN input                | Triggered by logic “high” level.   |
| 6   | Bus wake-up detection                    | RxD set “low” for signalling the bus wake-up event to the microcontroller.   |
| 7   | Bus wake-up detection in standby mode    | RxD set “low” for signalling the bus wake-up event to the microcontroller. Operating mode is not changed.  |
| 8   | Initialization watchdog timer elapsed    | Forced transition to sleep mode because of no response from microcontroller after power-on, wake-up, reset or if local errors are preventing $V_{CC}$ to power up. |
| 9   | Mode change with EN and TxD inputs       | Triggered by logic “low” level on EN while TxD is held “high”.   |
| 10  | Mode change with EN input                | Triggered by logic “high” level.   |
| 11  | Bus wake-up detection                    | RxD set “low” for signalling the bus wake-up event to the microcontroller.   |
| 12  | $V_{CC}$ undervoltage detection          | Detection of failure due to $V_{CC}$ undervoltage or recovery from an overtemperature event.   |
| 13  | Recovery from LDO over-temperature event | When overtemperature on the LDO is detected the TLE8457A / TLE8457B is disabled. After recover the device is activated in init mode.                               |

**Table 2 Operating mode control**

| Mode             | Control |                    | Functionality |                    |             | Comments  |
|------------------|---------|--------------------|---------------|--------------------|-------------|---|
|                  | EN      | TxD                | $V_{CC}$      | NRST               | RxD         |   |
| Sleep            | Low     | Low                | Off           | Low                | Floating    | –   |
| Init             | Low     | High <sup>1)</sup> | On            | High <sup>2)</sup> | Low<br>High | RxD “low” after a bus wake-up<br>RxD “high” after power-up or reset     |
| Standby          | Low     | High <sup>1)</sup> | On            | High               | High        | –   |
| Normal operation | High    | Low<br>High        | On            | High               | Low<br>High | RxD reflects the signal on the bus<br>TxD driven by the microcontroller |

1) The TxD input has a pull-up structure to  $V_{CC}$  and is per default set to logic “high” if left open.

2) NRST is logic “low” during  $V_{CC}$  undervoltage and while issuing a reset pulse to the microcontroller.

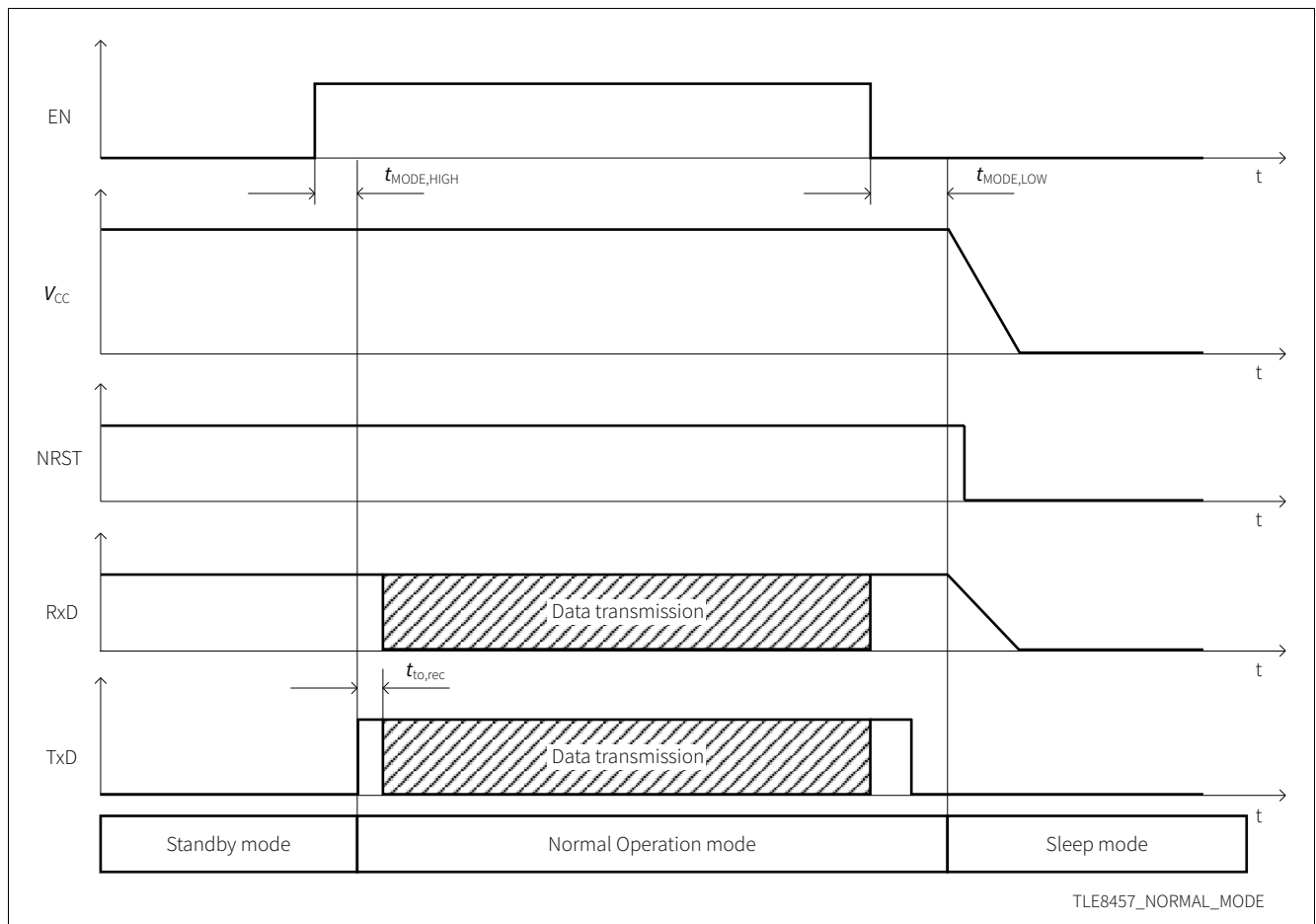
**Functional description**

**4.1.1 Normal operation mode**

In normal operation mode both the voltage regulator and the LIN transceiver are active. The TLE8457A / TLE8457B supports data transmission rates up to 20 kBit/s. Data from the microcontroller is transmitted to the LIN bus via the TxD input, while the receiver detects the data stream on the LIN bus and forwards it to the RxD output.

After entering normal operation mode the TLE8457A / TLE8457B requires a logic “high” signal for the time  $t_{to,rec}$  on the TxD input before releasing the data communication. The transmitter remains deactivated as long as the signal on the TxD input pin remains logic “low”, preventing possible bus communication disturbance (see [Figure 4](#)).

From normal operation mode the TLE8457A / TLE8457B can be set to standby mode or sleep mode.



**Figure 4 Entering normal operation mode, transition to sleep mode**

**4.1.2 Standby mode**

Standby mode is a low power mode with ultra low quiescent current consumption while the voltage regulator remains active, supplying for example a microcontroller in stop mode. No LIN bus communication is possible, the transmitter and the receiver are disabled. The low power receiver is still active and the device can wake up by a message from the LIN bus.

For changing the operation mode from standby mode to sleep mode, the device has to be set to normal operation mode first, then to sleep mode (see [Figure 4](#)).



**Functional description**

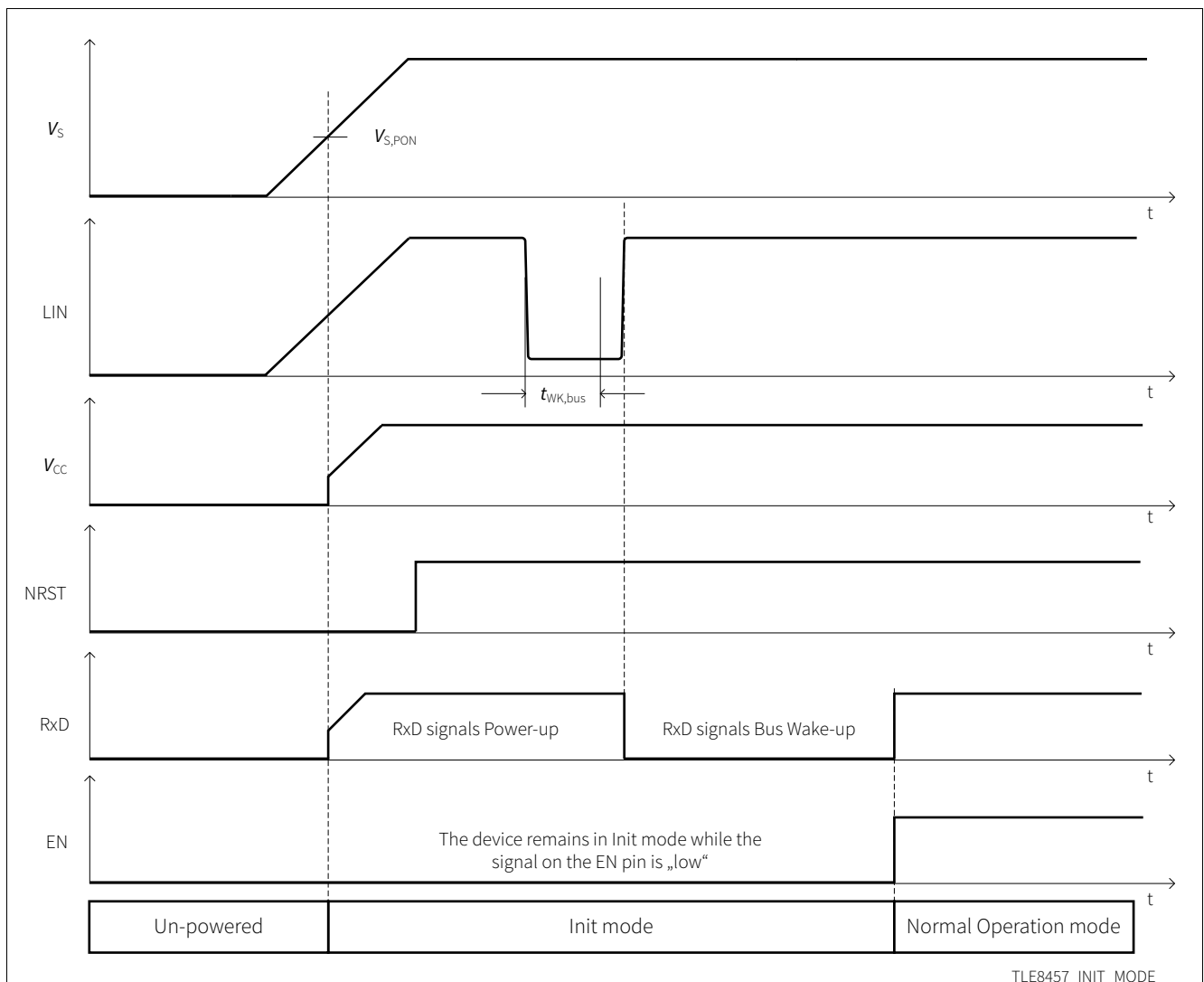
**4.1.3 Init mode**

After a power-up event the TLE8457A / TLE8457B enters init mode by default. In this mode the LIN transceiver is disabled, but the voltage regulator is switched on. Following the linear voltage regulator has reached its nominal output voltage  $V_{CC}$  and the NRST output set “high”, the external microcontroller can change the mode to Normal Operation Mode. If the Initialization Watchdog timer elapses before a “high” signal is detected on the EN input, the TLE8457A / TLE8457B will autonomously transition to sleep mode (see [Chapter 4.4](#)). The initialization watchdog protection in init mode is always activated after starting up the voltage regulator and after a reset pulse, triggered by the NRST output going “high”.

In init mode the TLE8457A / TLE8457B indicates wake-up information on the RxD output. After a power-up and reset event, the RxD output will be “high”. If the TLE8457A / TLE8457B is in init mode after bus wake-up detection, the RxD output will be “low”.

Transitions to init mode can be controlled with the EN input when in sleep mode, or automatic forced after:

- Bus wake-up event on the BUS pin.
- Power-up event on the supply  $V_S$ .
- Power-on reset caused by the supply  $V_S$ .
- Voltage regulator failure event due to  $V_S$  undervoltage.
- Recovery of an overtemperature event on the voltage regulator.



**Figure 5 Entering init mode after power-up**

**Functional description**

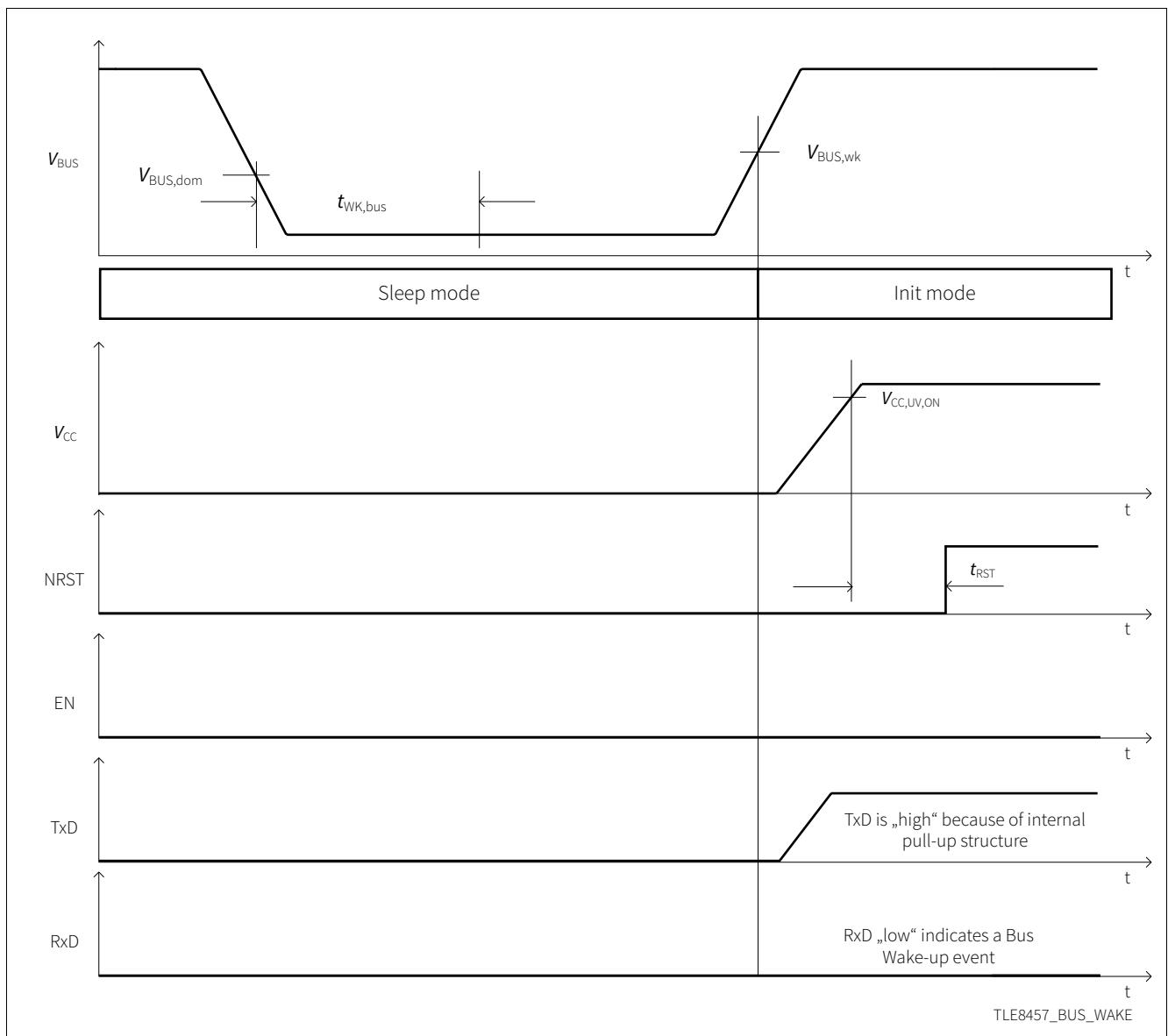
**4.1.4 Sleep mode**

Sleep mode is a low power mode with quiescent current consumption reduced to a minimum while the device can still wake up by a message from the LIN bus. Both the transceiver and the voltage regulator are switched off.

**4.1.5 Bus wake-up event**

A bus wake-up event, also called remote wake-up, causes a transition from a low power mode to init mode. A falling edge on the LIN bus, followed by a dominant BUS signal for the time  $t_{WK,bus}$  results in a bus wake-up event. The mode change to init mode becomes active with the following rising edge on the LIN bus, when BUS voltage exceeds  $V_{BUS,wk}$ . The TLE8457A / TLE8457B remains in low power mode until it detects a state change on the LIN bus from dominant to recessive (see **Figure 6**). In init mode a logic “low” signal on the RxD output indicates a bus wake-up event.

In case the TLE8457A / TLE8457B detects a bus wake-up event while already being in init mode, the wake-up event will be signalled with a logic “low” level on RxD and override the previous wake source (see **Figure 5**).



**Figure 6 Bus wake-up behavior**

**Functional description**

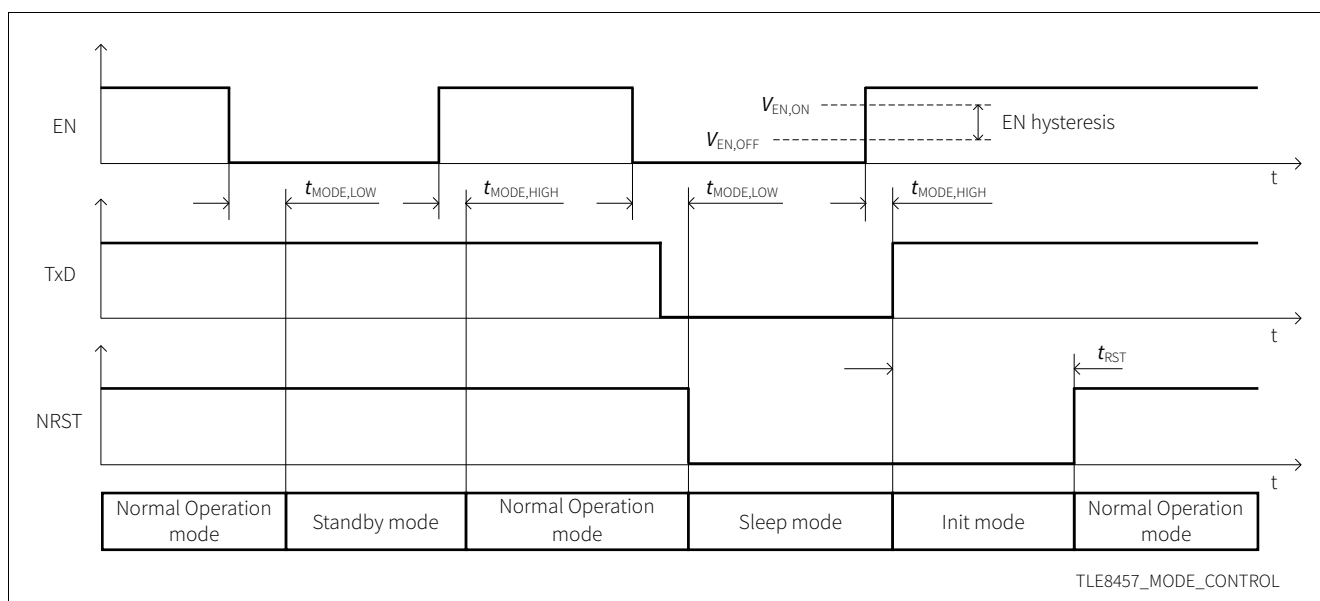
**4.1.6 Mode transition via EN pin**

The EN input is used for operation mode control of the TLE8457A / TLE8457B. By setting the EN input logic “high” for the time  $t_{MODE,HIGH}$  while being in init mode or standby mode, a transition to normal operation mode will be triggered.

If the voltage level at the EN input is set logic “high” while the TLE8457A / TLE8457B is in sleep mode, a transition to init mode is initiated. If the EN input is continuously held “high” though powering up the voltage regulator and the following reset pulse, normal operation mode will be entered.

From normal operation mode the TLE8457A / TLE8457B can be set to either sleep mode or standby mode. If the EN input is set “low” for the time  $t_{MODE,LOW}$  while the TxD input is held at logic “high”, the mode will change to standby mode. For a transition to sleep mode, the TxD must be set to logic “low” before the time  $t_{MODE,LOW}$  elapses after EN goes “low” (see **Figure 7**). It is recommended to program a short delay time from when EN is set “low” until TxD is set “low”, to prevent driving the BUS dominant through mode transition to sleep mode. The EN input has an integrated pull-down resistor to ensure the device remains in a low power mode if the EN input is left open. The EN input has an integrated hysteresis (see **Figure 7**).

The TLE8457A / TLE8457B changes the operation modes regardless of the signal on the BUS pin. In the case of a short circuit failure between the LIN bus and GND, resulting in a permanent dominant signal, the TLE8457A / TLE8457B can be set to sleep mode.



**Figure 7 Operation mode control**

The EN input is blocked while the TLE8457A / TLE8457B is in init mode and NRST is “low”, no mode transitions to normal operation mode is possible while a reset pulse is issued. After the NRST output goes “high”, mode control with the EN input is released. At the same time the initialization watchdog timer starts (see **Chapter 4.4**).

*Note: If the TLE8457A / TLE8457B is being forced to sleep mode by the initialization watchdog while the EN input is externally being held at a logic “high” level, the device will reinitiate init mode after the  $V_{CC}$  voltage has been discharged below  $\sim 1$  V. In such applications additional supervision means are recommended.*

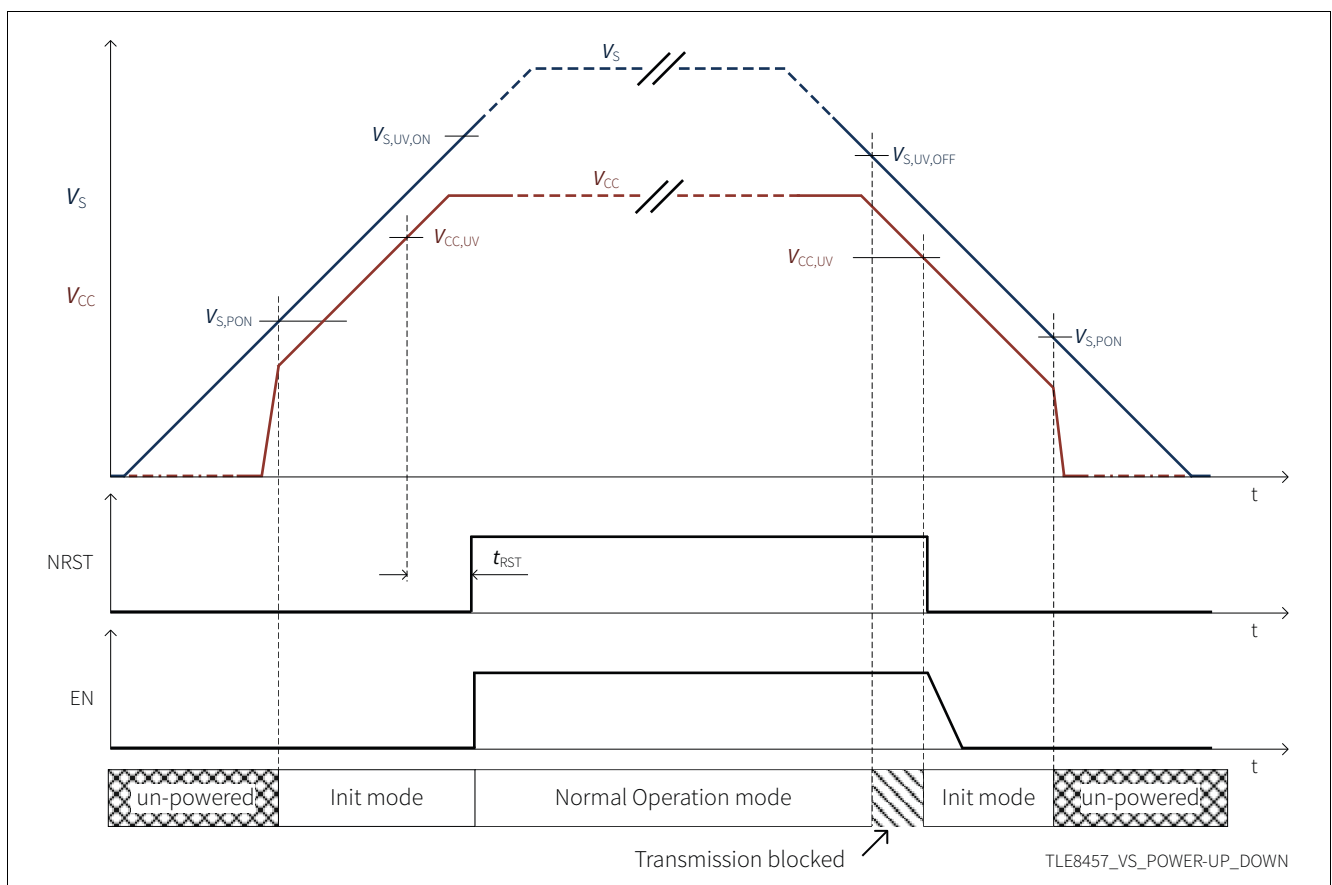
**Functional description**

**4.2 Power supplies**

The TLE8457A / TLE8457B is designed for being supplied by the battery line through an external reverse polarity protection diode at the  $V_S$  pin (see [Figure 18](#)). An input capacitor is needed for damping input line transients.

**4.2.1 Power-up and power-down**

During power-up the TLE8457A / TLE8457B will enter init mode when the  $V_S$  supply reaches the power-on reset level  $V_{S,PON}$ . The voltage regulator output  $V_{CC}$  will track the  $V_S$  supply voltage until  $V_{CC}$  reaches its nominal voltage level. As  $V_{CC}$  reaches the undervoltage level  $V_{CC,UV}$ , the NRST output will stay logic “low” for the reset time  $t_{RST}$  and then be set logic “high”. As NRST goes “high”, the EN input will become active and the TLE8457A / TLE8457B can change operating mode accordingly (see [Table 2](#)).



**Figure 8 Power-up and power-down behavior**

While powering down while in normal operation mode the TLE8457A / TLE8457B will block the LIN transmitter as the  $V_S$  supply voltage falls below  $V_{S,UV,OFF}$ . The voltage regulator will start tracking the  $V_S$  supply voltage when falling below  $V_{CC} + V_{DR}$ . As  $V_{CC}$  falls below the undervoltage level  $V_{CC,UV}$ , the NRST output will be set logic “low” and the TLE8457A / TLE8457B will enter init mode. When the  $V_S$  supply voltage falls below the power-on-reset level  $V_{S,PON}$  the voltage regulator will be disabled and the TLE8457A / TLE8457B will be considered unpowered.

Functional description

4.2.2  $V_S$  undervoltage detection

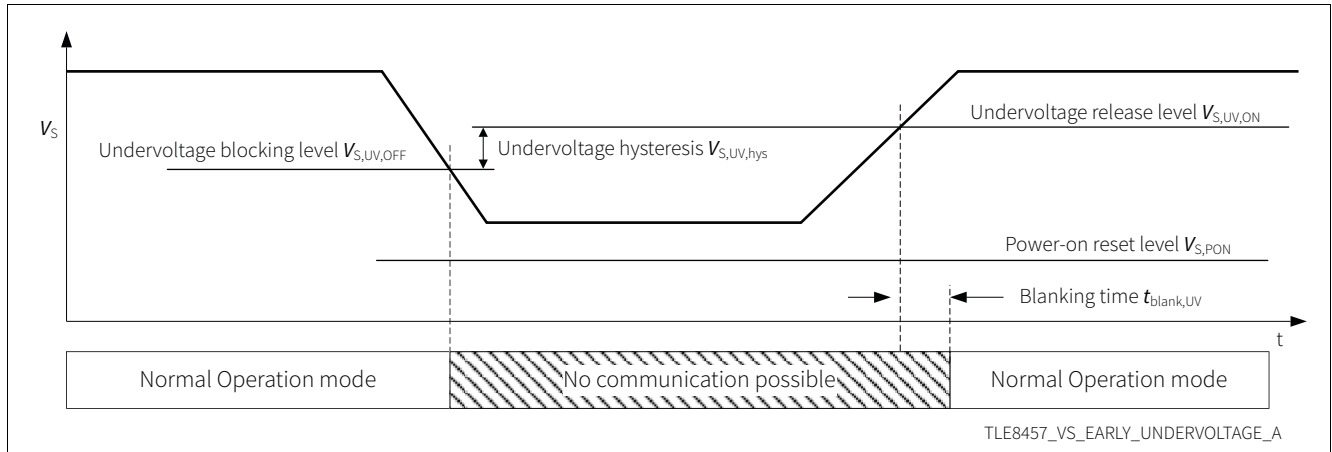


Figure 9  $V_S$  early undervoltage detection

The TLE8457A / TLE8457B has an undervoltage detection on the supply pin  $V_S$  with two different thresholds:

- In normal operation mode the TLE8457A / TLE8457B blocks the communication between the LIN bus and the microcontroller when detecting an early undervoltage event. The RxD output will be set “high”. However, no mode change will occur. After  $V_S$  rises above the undervoltage release level  $V_{S,UV,REL}$ , the bus communication interface will be released as soon as the signal on the TxD input goes “high” (see Figure 9).
- When the power supply  $V_S$  drops below the power-on reset level  $V_{S,PON}$  the TLE8457A / TLE8457B not only blocks the transceiver communication, it also changes the operation mode to init mode after recovery of  $V_S$ , see Figure 10. In init mode the TLE8457A / TLE8457B indicates a power-up event on the RxD pin. The power-on reset detection is active in all operation modes.

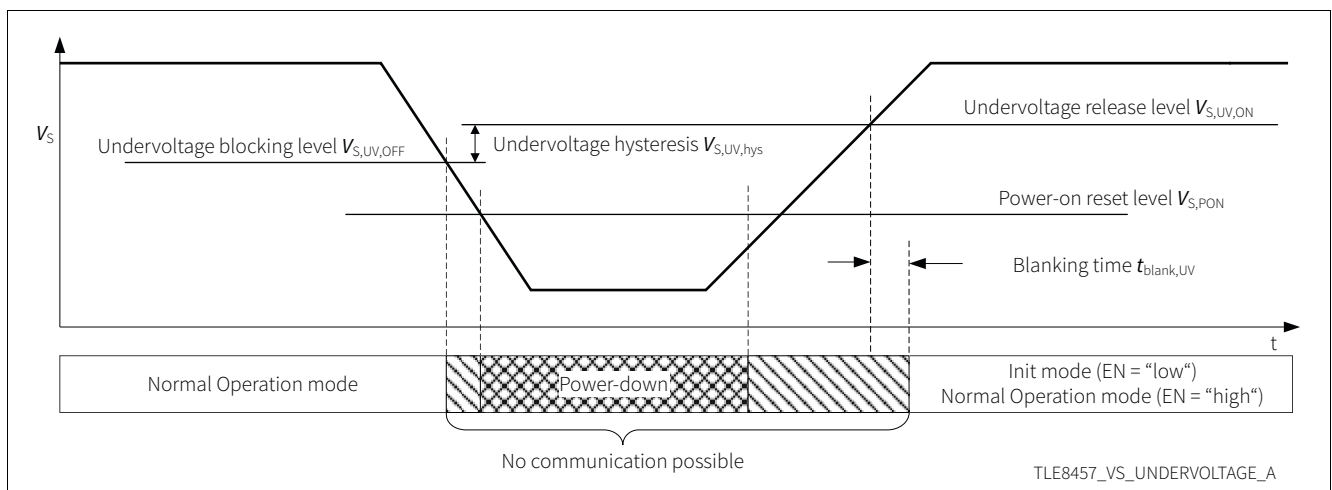


Figure 10  $V_S$  undervoltage detection

**Functional description**

**4.3 Voltage regulator**

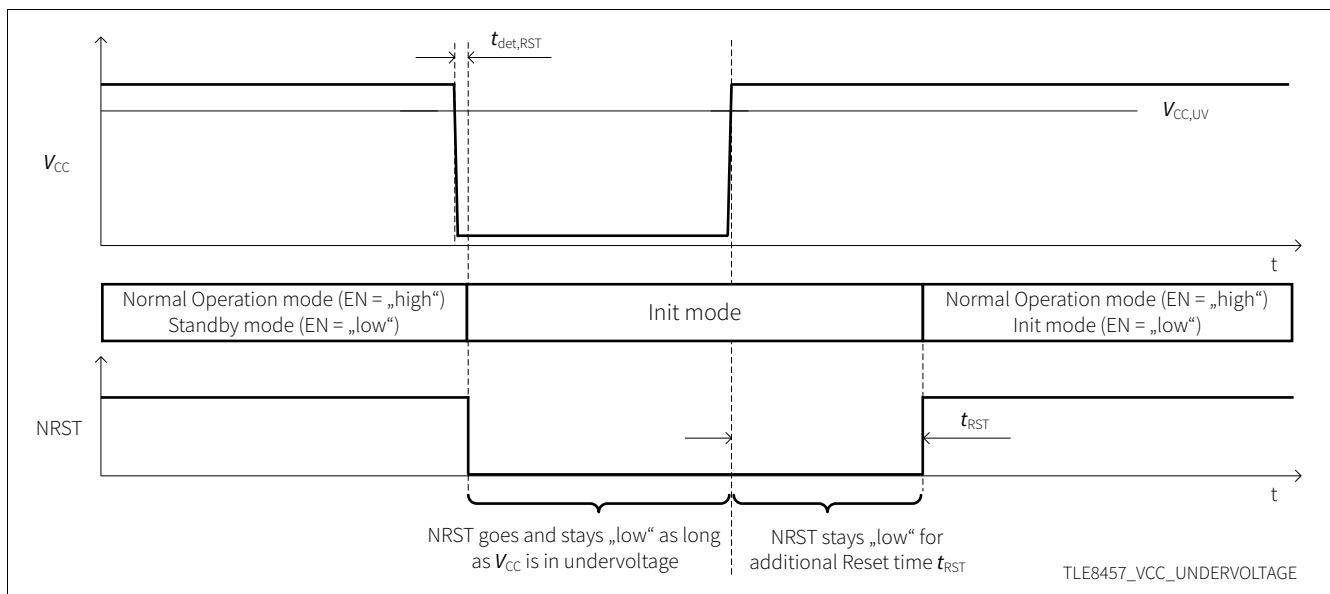
The TLE8457A / TLE8457B has an integrated voltage regulator dedicated for supplying microcontrollers and/or on-board sensors under harsh automotive environment conditions. It can supply a load current up to 70 mA with an output voltage tolerance within  $\pm 2\%$ . Because of the ultra low current consumption, the TLE8457A / TLE8457B is perfectly suited for applications permanently connected to the battery supply. Additionally, in sleep mode, the voltage regulator is switched off and an even lower quiescent current can be achieved.

The voltage regulator output is protected against undervoltage, overcurrent, overtemperature and power-up failures. In case the load current rises above the functional range, for example during  $V_{CC}$  short circuits, the output current is limited to  $I_{CC,lim}$ . Therefore the  $V_{CC}$  output voltage will drop. A reset pulse will be issued if  $V_{CC}$  falls below the undervoltage reset threshold.

The  $V_{CC}$  supply output provides a stable supply voltage with output capacitors down to 1  $\mu$ F, including low ESR multi-layer ceramic capacitors.

**4.3.1  $V_{CC}$  undervoltage detection**

The TLE8457A / TLE8457B has an undervoltage detection feature on the voltage regulator  $V_{CC}$  output. If the  $V_{CC}$  voltage falls below the undervoltage threshold  $V_{CC,UV}$  for longer than detection time  $t_{det,RST}$ , the NRST output will be set logic “low” and the TLE8457A / TLE8457B will automatically enter init mode and start the initialization watchdog (see [Chapter 4.3.2](#) and [Chapter 4.4](#)).



**Figure 11  $V_{CC}$  undervoltage detection**

**4.3.2 Reset output**

The NRST output is used for issuing reset pulses, for example to an external microcontroller. In case of voltage regulator undervoltage or overtemperature events, the NRST output will go “low” and a mode transition to init mode will be triggered. The NRST output will stay “low” until a complete recovery from the failure is achieved. After the additional time  $t_{RST}$  has elapsed NRST will go “high” (see [Figure 11](#)).

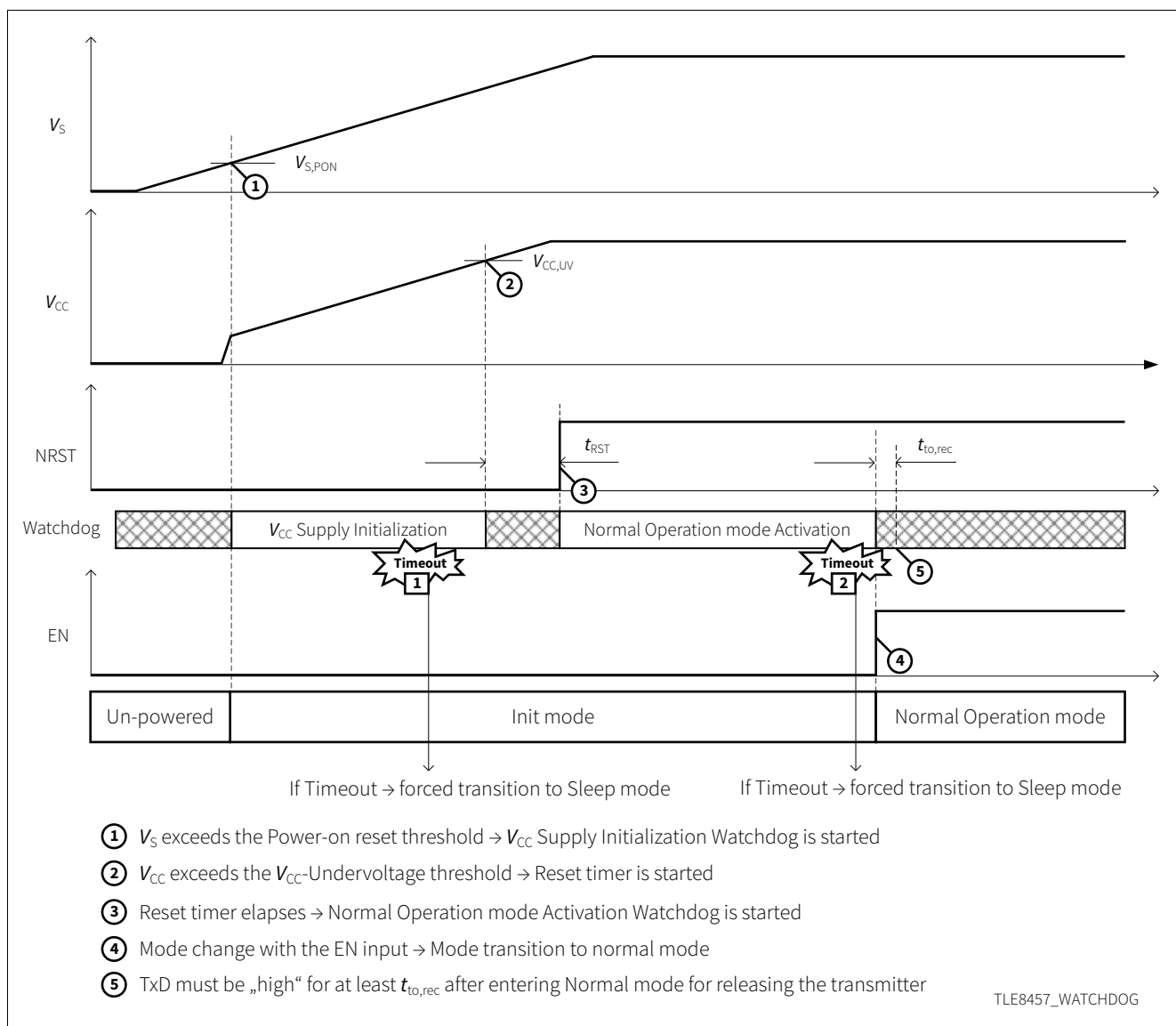
While the TLE8457A / TLE8457B is in init mode and NRST is “low” mode transition to normal operation mode is blocked.

The NRST pin has an internal pull up to  $V_{CC}$ . If needed in the application, an additional external pull-up resistor can be implemented.

**Functional description**

**4.4 Initialization watchdog**

The TLE8457A / TLE8457B features an enhanced initialization watchdog timer for detection of local failures and error handling for minimizing system current consumption. The benefit of this safety function is to prevent a malfunctioning ECU being stuck in init mode with high current consumption and draining the car battery. The initialization watchdog is only active in init mode, with the two use cases:  $V_{CC}$  supply initialization and normal operation mode activation.



**Figure 12 Initialization watchdog**

**VCC supply initialization**

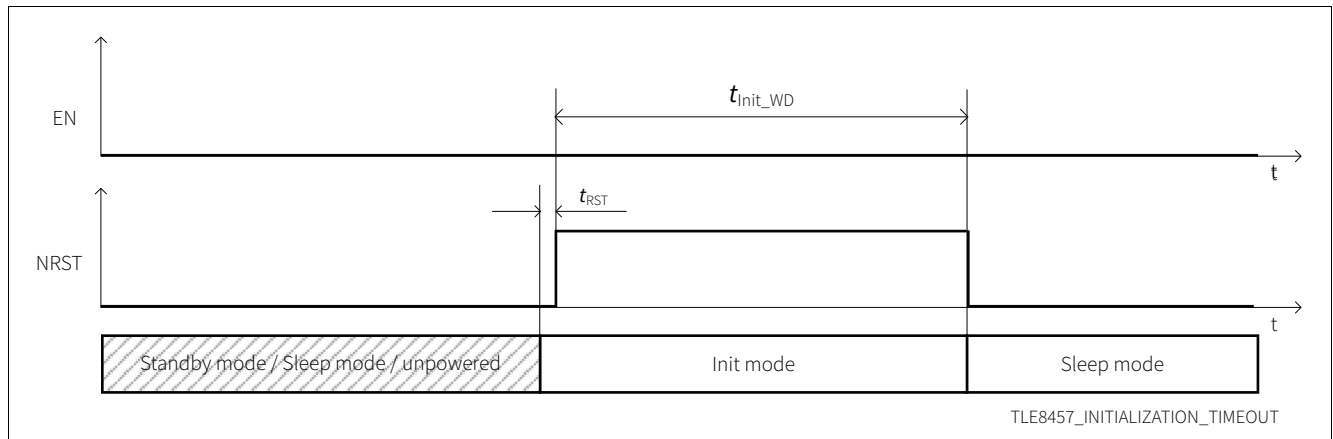
The  $V_{CC}$  supply initialization watchdog is detecting if local errors on the ECU is preventing the  $V_{CC}$  supply to power up correctly because of short circuits to ground or if components on the board are drawing too high currents. The timer is started when the linear regulator is switched on after power-up events or after mode transitions to init mode triggered by either bus wake-up or the EN input being set “high” in sleep mode. Additionally, the timer will start when detecting  $V_{CC}$  undervoltage and after recovery from an overtemperature event.

**Functional description**

In case the  $V_{CC}$  voltage rise above the  $V_{CC,UV}$  undervoltage threshold before the timer elapses,  $V_{CC}$  is considered successfully initialized and the timer is disabled. If the timer elapses before  $V_{CC}$  powers up correctly, the TLE8457A / TLE8457B will autonomously transition to sleep mode.

**Normal operation mode activation**

After the TLE8457A / TLE8457B has generated a reset pulse the initialization watchdog is started for monitoring the activation of normal operation mode. The microcontroller must set the EN input “high” before the timer elapses after  $t_{init\_WD}$ , else the TLE8457A / TLE8457B will autonomously transition to sleep mode.



**Figure 13 Enable activation time-out**



**Functional description**

**4.5 LIN transceiver**

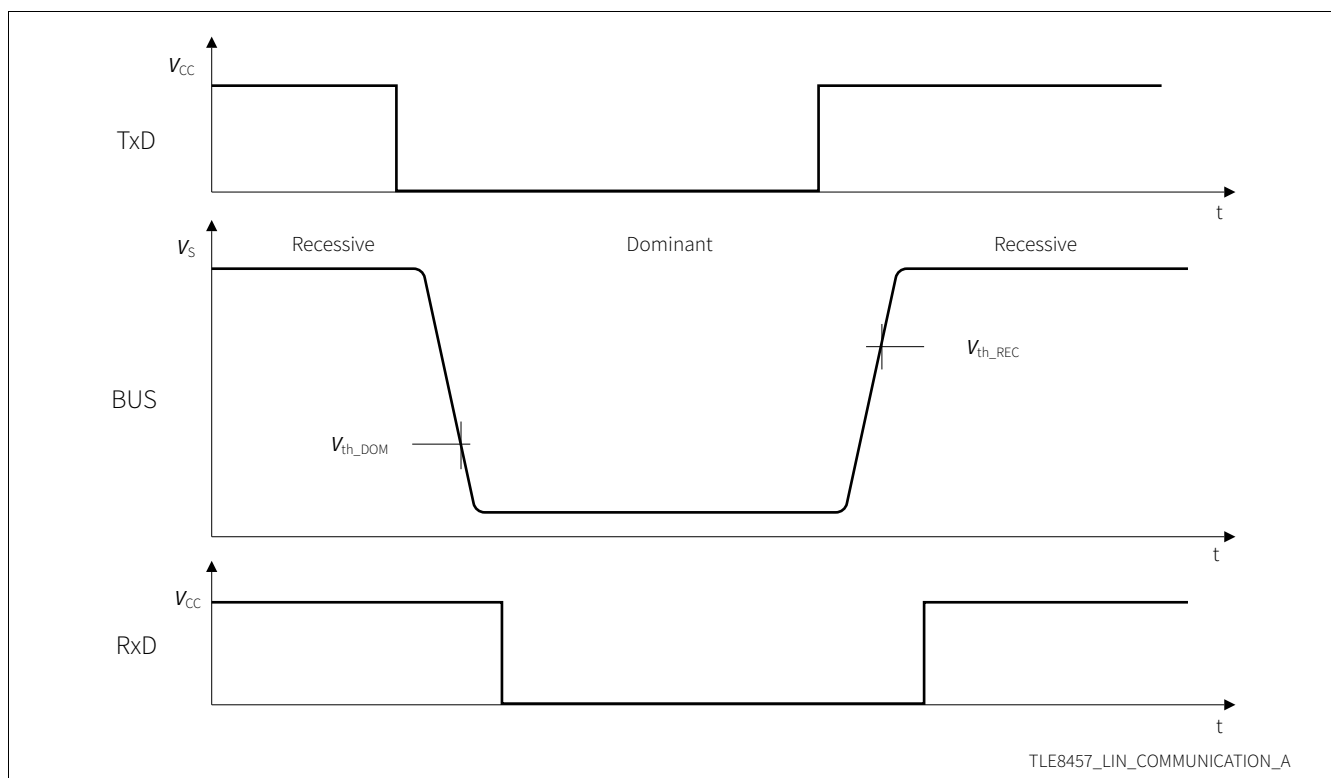
The LIN interface is a single wire, bi-directional bus, used for in-vehicle networks. The integrated LIN transceiver of the TLE8457A / TLE8457B is the interface between the microcontroller and the physical LIN bus (see **Figure 18**). Data from the microcontroller is driven to the LIN bus via the TxD input. The transmit data stream on the TxD input is converted to a LIN bus signal with optimized slew rates in order to minimize the electromagnetic emission of the LIN network. The RxD output reads back the information from the LIN bus to the microcontroller. The receiver has an integrated filter network for noise suppression from the LIN bus and to increase the electromagnetic immunity level of the transceiver.

The LIN specification defines two valid bus levels (see **Figure 14**):

- Dominant state with the LIN bus voltage level near GND, actively driven by a transceiver.
- Recessive state with the LIN bus voltage pulled up to the supply voltage  $V_S$  through the bus termination.

By setting the TxD input of the TLE8457A / TLE8457B to a logic “low” signal, the transceiver generates a dominant level on the BUS interface pin. The receiver reads back the signal on the LIN bus and indicates the dominant LIN bus signal with a logic “low” on the RxD output to the microcontroller. By setting the TxD input “high”, the transceiver sets the LIN interface pin to the recessive level. At the same time the recessive level on the LIN bus is indicated by a logic “high” signal on the RxD output.

Every LIN network consists of a master node and one or more slave nodes. To configure the TLE8457A / TLE8457B for master node applications, a termination resistor of 1 k $\Omega$  and a diode must be connected between the LIN bus and the power supply  $V_S$  (see **Figure 18**).



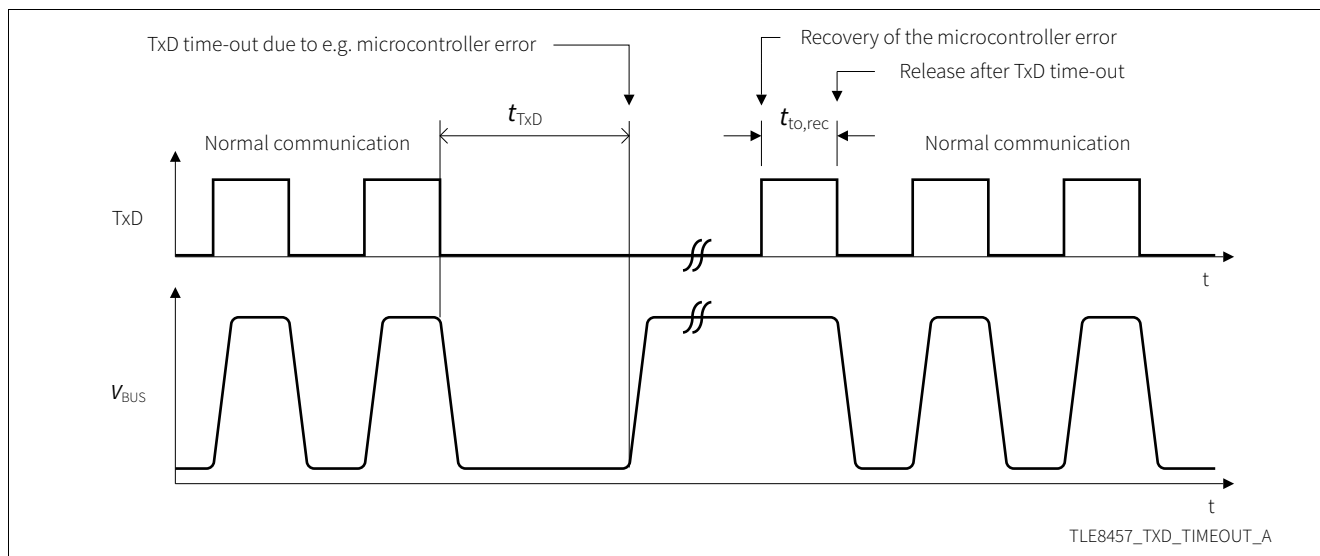
**Figure 14 LIN bus signals**

**Functional description**

**4.5.1 TxD time-out**

The TxD time-out feature protects the LIN bus against permanent blocking in the case where the logical signal on the TxD input is continuously “low”, caused by a malfunctioning microcontroller or a short circuit on the printed circuit board for example. In normal operation mode, a logic “low” signal on the TxD input for time  $t > t_{TxD}$  disables the transmitter’s output driver stage (see **Figure 15**). The receiver will remain active and the data on the BUS is still monitored on the RxD output.

The TLE8457A / TLE8457B will release the output stage after a TxD time-out event first when detecting a logic “high” signal on the respective TxD input for the duration of  $t_{to,rec}$ .



**Figure 15 TxD time-out**

**4.5.2 Short-circuit**

The BUS pin of TLE8457A / TLE8457B can withstand short-circuits to either GND or to the power supply  $V_S$ . The integrated overtemperature protection may disable the transmitter if a permanent short circuit on the BUS pin causes the TLE8457A / TLE8457B to overheat.

**4.6 Overtemperature protection**

The TLE8457A / TLE8457B has two independent overtemperature detectors for protecting the device against thermal overstress, namely on the voltage regulator pass element and on the LIN bus transmitter. In the case where the junction temperature at the LIN transmitter increases above the thermal shut-down level  $T_{JSD}$ , it will be disabled until the junction temperature of the transmitter cools down below  $T_J < T_{JSD} - \Delta T$ . No other effect, nor mode change, will occur. After the LIN transmitter overtemperature recovery, the TxD input requires a logic “high” signal before restarting data transmission.

If an overtemperature event is detected on the voltage regulator, it will be disabled and the NRST output will be set “low”. During the overtemperature condition no functionality of the TLE8457A / TLE8457B is available. After the junction temperature cools down below  $T_J < T_{JSD} - \Delta T$ , the TLE8457A / TLE8457B will automatically enter init mode and be reactivated.

*Note: The overtemperature detection of the LIN transmitter and the voltage regulator are working independently. Therefore either only the LIN transmitter or only the voltage regulator or both can be switched off, depending on the circumstance. An example of only LIN transmitter overtemperature could be bus short-circuit or severe electromagnetic injection.*

**General product characteristics**

## 5 General product characteristics

### 5.1 Absolute maximum ratings

**Table 3 Absolute maximum ratings voltages, currents and temperatures<sup>1)</sup>**

All voltages with respect to ground; positive current flowing into pin; unless otherwise specified

| Parameter  | Symbol          | Values |      |                | Unit | Note or Test Condition                                      | Number   |
|--|-----------------|--------|------|----------------|------|---|----------|
|  |                 | Min.   | Typ. | Max.           |      |   |          |
| <b>Voltage</b>   |                 |        |      |                |      |   |          |
| Supply input voltage                                     | $V_S$           | -0.3   | –    | 45             | V    | LIN Spec 2.2A (Par. 11)                                     | P_5.1.1  |
| Bus input voltage  | $V_{BUS}$       | -27    | –    | 40             | V    | –   | P_5.1.2  |
| Logic voltages at EN and TxD                             | $V_{logic,in}$  | -0.3   | –    | 7.0            | V    | –   | P_5.1.3  |
| Logic voltages at RxD and NRST                           | $V_{logic,out}$ | -0.3   | –    | $V_{CC} + 0.3$ | V    | –   | P_5.1.4  |
| Voltage regulator output                                 | $V_{CC}$        | -0.3   | –    | 7.0            | V    | –   | P_5.1.5  |
| <b>Currents</b>  |                 |        |      |                |      |   |          |
| Output current at RxD                                    | $I_{RxD}$       | -15    | –    | 15             | mA   | –   | P_5.1.6  |
| Output current at NRST                                   | $I_{NRST}$      | –      | –    | 10             | mA   | –   | P_5.1.7  |
| <b>Temperature</b>                                       |                 |        |      |                |      |   |          |
| Junction temperature                                     | $T_j$           | -40    | –    | 150            | °C   | –   | P_5.1.8  |
| Storage temperature                                      | $T_s$           | -55    | –    | 150            | °C   | –   | P_5.1.9  |
| <b>ESD susceptibility</b>                                |                 |        |      |                |      |   |          |
| Electrostatic discharge voltage at $V_S$ and BUS vs. GND | $V_{ESD}$       | -8     | –    | 8              | kV   | Human body model (100 pF via 1.5 k $\Omega$ ) <sup>2)</sup> | P_5.1.10 |
| Electrostatic discharge voltage all other pins           | $V_{ESD}$       | -2     | –    | 2              | kV   | Human body model (100 pF via 1.5 k $\Omega$ ) <sup>2)</sup> | P_5.1.11 |
| Electrostatic discharge voltage corner pins              | $V_{ESD}$       | -750   | –    | 750            | V    | Charged device model <sup>3)</sup>                          | P_5.1.12 |
| Electrostatic discharge voltage at all other pins        | $V_{ESD}$       | -500   | –    | 500            | V    | Charged device model <sup>3)</sup>                          | P_5.1.13 |

1) Not subject to production test, specified by design.

2) ESD susceptibility, HBM according to ANSI/ESDA/JEDEC JS-001 (1.5 k $\Omega$ , 100 pF).

3) ESD susceptibility, charged device model “CDM” EIA / JESD 22-C101 or ESDA STM5.3.1.

#### Notes

1. Stresses above the ones listed here may cause permanent damage to the device. Exposure to absolute maximum rating conditions for extended periods may affect device reliability.
2. Integrated protection functions are designed to prevent IC destruction under fault conditions described in the data sheet. Fault conditions are considered as ‘outside’ normal operating range. Protection functions are not designed for continuous repetitive operation.

**General product characteristics**

**5.2 Functional range**

**Table 4 Operating range**

| Parameter   | Symbol                | Values |      |      | Unit               | Note or Test Condition        | Number   |
|---|-----------------------|--------|------|------|--------------------|-------------------------------|----------|
|   |                       | Min.   | Typ. | Max. |                    |                               |          |
| <b>Supply voltage</b>                               |                       |        |      |      |                    |                               |          |
| Supply voltage range for normal operation           | $V_{S(nor)}$          | 5.5    | –    | 28   | V                  | LIN Spec 2.2A Param. 10       | P_5.2.12 |
| Extended Supply Voltage Range for Operation         | $V_{S(ext)}$          | 3.0    | –    | 40   | V                  | Parameter deviations possible | P_5.2.22 |
| <b>Stability requirement on <math>V_{CC}</math></b> |                       |        |      |      |                    |                               |          |
| Output capacitor range                              | $C_{VCC}$             | 1.0    | –    | –    | $\mu\text{F}$      | 1)3)                          | P_5.2.3  |
| Output capacitor ESR                                | $\text{ESR}(C_{VCC})$ | –      | –    | 5.0  | $\Omega$           | 2)3)                          | P_5.2.4  |
| <b>Thermal parameter</b>                            |                       |        |      |      |                    |                               |          |
| Junction temperature                                | $T_j$                 | -40    | –    | 150  | $^{\circ}\text{C}$ | 3)                            | P_5.2.5  |

1) The minimum output capacitance requirement is applicable for a worst case capacitance tolerance of 30%.

2) Relevant ESR value at  $f = 10$  kHz.

3) Not subject to production test, specified by design.

*Note: Within the functional range the IC operates as described in the circuit description. The electrical characteristics are specified within the conditions given in the related electrical characteristics table.*

**General product characteristics**

**5.3 Thermal characteristics**

Note: This thermal data was generated in accordance with JEDEC JESD51 standards. For more information, please visit [www.jedec.org](http://www.jedec.org).

**Table 5 Thermal resistance<sup>1)</sup>**

| Parameter  | Symbol     | Values |      |      | Unit | Note or Test Condition                            | Number  |
|--|------------|--------|------|------|------|---|---------|
|  |            | Min.   | Typ. | Max. |      |   |         |
| <b>Thermal resistance, PG-DSO-8 package version</b>  |            |        |      |      |      |   |         |
| Junction to ambient                                  | $R_{thJA}$ | –      | 130  | –    | K/W  | <sup>2)</sup>                                     | P_5.3.1 |
| <b>Thermal resistance, PG-TSON-8 package version</b> |            |        |      |      |      |   |         |
| Junction to ambient                                  | $R_{thJA}$ | –      | 60   | –    | K/W  | <sup>2)</sup>                                     | P_5.3.2 |
| Junction to ambient                                  |            | –      | 190  | –    | K/W  | Footprint only <sup>3)</sup>                      | P_5.3.5 |
| Junction to ambient                                  |            | –      | 70   | –    | K/W  | 300 mm <sup>2</sup> heatsink on PCB <sup>3)</sup> | P_5.3.6 |
| <b>Thermal shutdown junction temperature</b>         |            |        |      |      |      |   |         |
| Thermal shutdown temperature                         | $T_{JSD}$  | 160    | 180  | 200  | °C   | $T_{JSD}$ increasing                              | P_5.3.3 |
| Thermal shutdown hysteresis                          | $\Delta T$ | –      | 10   | –    | K    | $T_{JSD}$ decreasing                              | P_5.3.4 |

- 1) Not subject to production test, specified by design.
- 2) Specified  $R_{thJA}$  value is according to Jedec JESD51-2,-5,-7 at natural convection on FR4 2s2p board; The product (IC+package) was simulated on a 76.2 × 114.3 × 1.5 mm<sup>3</sup> board with 2 inner copper layers (2 × 70 μm Cu, 2 × 35 μm Cu). Where applicable a thermal via array under the exposed pad contacted to the first inner copper layer.
- 3) Specified  $R_{thJA}$  value is according to Jedec JESD51-3 at natural convection on FR4 1s0p board; The product (IC+package) was simulated on a 76.2 × 114.3 × 1.5 mm<sup>3</sup> board with 1 inner copper layer (1 × 70 μm Cu).

**Electrical characteristics**

**6 Electrical characteristics**

**6.1 Functional device characteristics**

**Table 6 Electrical characteristics**

5.5 V <  $V_S$  < 28 V;  $R_{LIN} = 500 \Omega$ ;  $-40^\circ\text{C} < T_j < 150^\circ\text{C}$ ;

all voltages with respect to ground; positive current flowing into pin<sup>1)</sup>; unless otherwise specified.

| Parameter   | Symbol           | Values |      |      | Unit          | Note or Test Condition  | Number   |
|---|------------------|--------|------|------|---------------|---|----------|
|   |                  | Min.   | Typ. | Max. |               |   |          |
| <b>Current Consumption</b>  |                  |        |      |      |               |   |          |
| Current consumption at $V_S$ , transmitter in recessive state                   | $I_{S,rec}$      | 0.1    | 0.3  | 0.7  | mA            | $I_{CC} = 50 \mu\text{A}$ ; without $R_{LIN}$ ; TxD = "high"; $V_{BUS} = V_S$               | P_6.1.1  |
| Current consumption at $V_S$ , transmitter in dominate state                    | $I_{S,dom}$      | 0.1    | 1.0  | 3.0  | mA            | $I_{CC} = 50 \mu\text{A}$ ; without $R_{LIN}$ ; TxD = "low"; $V_{BUS} = 0 \text{ V}$        | P_6.1.2  |
| Current consumption at $V_S$ , dominate state                                   | $I_{S,dom\_max}$ | 70     | 71   | 73   | mA            | $I_{CC} = 70 \text{ mA}$ ; without $R_{LIN}$ ; TxD = "low"; $V_{BUS} = 0 \text{ V}$         | P_6.1.3  |
| Current consumption at $V_S$ in standby mode<br>$I_{S,standby} = I_S - I_{CC}$  | $I_{S,standby}$  | –      | 20   | 40   | $\mu\text{A}$ | Standby mode;<br>$I_{CC} = 50 \mu\text{A}$ ;<br>$V_S = V_{BUS} = 13.5 \text{ V}$ ;          | P_6.1.4  |
| Current consumption at $V_S$ in sleep mode                                      | $I_{S,sleep}$    | –      | 7    | 16   | $\mu\text{A}$ | Sleep mode; $V_S = 13.5 \text{ V}$ ;<br>$V_{BUS} = V_S$ ; $V_{CC} = 0 \text{ V}$            | P_6.1.5  |
| Current consumption at $V_S$ in sleep mode. BUS shorted to GND                  | $I_{S,SC\_GND}$  | 250    | –    | 800  | $\mu\text{A}$ | Sleep Mode;<br>$V_S = 13.5 \text{ V}$ ; $V_{BUS} = 0 \text{ V}$ ;<br>$V_{CC} = 0 \text{ V}$ | P_6.1.6  |
| <b>Power-up and power-down</b>  |                  |        |      |      |               |   |          |
| Power-on reset level, $V_S$ on  | $V_{S,PON}$      | –      | –    | 3.0  | V             | –   | P_6.1.7  |
| Undervoltage threshold, $V_S$ on  | $V_{S,UV,ON}$    | 4.7    | 5.15 | 5.5  | V             | Rising edge   | P_6.1.8  |
| Undervoltage threshold, $V_S$ off   | $V_{S,UV,OFF}$   | 4.4    | 4.85 | 5.2  | V             | Falling edge  | P_6.1.9  |
| Undervoltage hysteresis on $V_S$<br>$V_{S,UV,hys} = V_{S,UV,ON} - V_{S,UV,OFF}$ | $V_{S,UV,hys}$   | 200    | 300  | –    | mV            | <sup>2)</sup>   | P_6.1.10 |
| Undervoltage blanking time  | $t_{BLANK,UV}$   | –      | 10   | –    | $\mu\text{s}$ | <sup>2)</sup>   | P_6.1.11 |
| <b>Enable input: EN</b>   |                  |        |      |      |               |   |          |
| "High" level input voltage  | $V_{EN,ON}$      | 2      | –    | –    | V             | –   | P_6.1.12 |
| "Low" level input voltage   | $V_{EN,OFF}$     | –      | –    | 0.8  | V             | –   | P_6.1.13 |
| Input hysteresis  | $V_{EN,hys}$     | 50     | 200  | –    | mV            | –   | P_6.1.14 |
| Pull-down resistance  | $R_{EN}$         | 15     | 30   | 60   | k $\Omega$    | –   | P_6.1.15 |
| Delay time for mode change, EN → "low"  | $t_{MODE,LOW}$   | 10     | –    | 50   | $\mu\text{s}$ | –   | P_6.1.16 |
| Delay time for mode change, EN → "high"   | $t_{MODE,HIGH}$  | –      | –    | 5    | $\mu\text{s}$ | <sup>2)</sup>   | P_6.1.17 |
| Initialization watchdog time  | $t_{Init\_WD}$   | 200    | –    | 1000 | ms            | –   | P_6.1.18 |

**Electrical characteristics**

**Table 6 Electrical characteristics (cont'd)**

5.5 V <  $V_S$  < 28 V;  $R_{LIN} = 500 \Omega$ ;  $-40^\circ\text{C} < T_j < 150^\circ\text{C}$ ;  
 all voltages with respect to ground; positive current flowing into pin<sup>1)</sup>; unless otherwise specified.

| Parameter         | Symbol      | Values |      |      | Unit | Note or Test Condition | Number   |
|-------------------|-------------|--------|------|------|------|------------------------|----------|
|                   |             | Min.   | Typ. | Max. |      |                        |          |
| Input capacitance | $C_{i\_EN}$ | –      | 5    | –    | pF   | <sup>2)</sup>          | P_6.1.83 |

**Reset Output: NRST**

|                              |              |   |    |     |               |  |          |
|------------------------------|--------------|---|----|-----|---------------|--|----------|
| “High” level leakage current | $I_{NRST,H}$ | – | –  | 5   | $\mu\text{A}$ | <sup>2)</sup>  | P_6.1.19 |
| “Low” level output voltage   | $V_{NRST}$   | – | –  | 0.4 | V             | $I_{NRST} = 1.5 \text{ mA}$ ; $V_{CC} > 1 \text{ V}$ ; | P_6.1.20 |
| Reset time                   | $t_{RST}$    | 4 | 10 | 16  | ms            | –  | P_6.1.21 |
| Internal pull-up resistance  | $R_{NRST}$   | 5 | 10 | 20  | k $\Omega$    | –  | P_6.1.22 |

**Voltage regulator output, 5 V versions (TLE8457Axx):  $V_{CC}$**

|  |                    |      |     |     |               |  |          |
|--|--------------------|------|-----|-----|---------------|--|----------|
| Output voltage   | $V_{CC}$           | 4.9  | 5.0 | 5.1 | V             | $0.05 \text{ mA} < I_{CC} < 70 \text{ mA}$ ;<br>$5.8 \text{ V} < V_S < 28 \text{ V}$                                   | P_6.1.23 |
| Output voltage drop<br>$V_{DR} = V_S - V_{CC}$ <sup>3)</sup> | $V_{DR}$           | –    | 250 | 650 | mV            | $I_{CC} < 70 \text{ mA}$   | P_6.1.24 |
| Output voltage drop, 50 mA<br>$V_{DR} = V_S - V_{CC}$        | $V_{DR,50}$        | –    | 180 | 480 | mV            | $I_{CC} < 50 \text{ mA}$   | P_6.1.25 |
| Output voltage drop, 20 mA<br>$V_{DR} = V_S - V_{CC}$        | $V_{DR,20}$        | –    | 80  | 200 | mV            | $I_{CC} < 20 \text{ mA}$   | P_6.1.26 |
| Output current limitation                                    | $I_{CC,lim}$       | -150 | –   | -70 | mA            | $0 \text{ V} < V_{CC} < 4.8 \text{ V}$   | P_6.1.27 |
| Load regulation  | $\Delta V_{CC,lo}$ | –    | 25  | 50  | mV            | $0.05 \text{ mA} < I_{CC} < 70 \text{ mA}$ ;<br>$V_S = 13.5 \text{ V}$   | P_6.1.28 |
| Line regulation  | $\Delta V_{CC,li}$ | –    | 25  | 50  | mV            | $I_{CC} = 1 \text{ mA}$ ;<br>$5.8 \text{ V} < V_S < 28 \text{ V}$  | P_6.1.29 |
| Power supply ripple rejection                                | PSRR               | 50   | 60  | –   | dB            | <sup>2)</sup> $I_{CC} = 50 \text{ mA}$ ; $f = 100 \text{ Hz}$ ;<br>$V_r = 0.5 \text{ V}_{pp}$ ; $V_S = 13.5 \text{ V}$ | P_6.1.30 |
| Undervoltage reset threshold                                 | $V_{CC,UV}$        | 4.27 | 4.4 | 4.5 | V             | $V_{CC}$ decreasing  | P_6.1.31 |
| Undervoltage reset hysteresis                                | $V_{CC,UV,hy}$     | 50   | 100 | –   | mV            | –  | P_6.1.32 |
| Undervoltage detection time                                  | $t_{det,RST}$      | 1    | –   | 20  | $\mu\text{s}$ | <sup>2)</sup> $V_{CC} = 3.5 \text{ V}$<br>$C_{NRST} = 20 \text{ pF}$   | P_6.1.33 |

**Voltage regulator output, 3.3 V versions (TLE8457Bxx):  $V_{CC}$**

|   |              |       |       |       |    |  |          |
|---|--------------|-------|-------|-------|----|--|----------|
| Output voltage  | $V_{CC}$     | 3.234 | 3.300 | 3.366 | V  | $0.05 \text{ mA} < I_{CC} < 70 \text{ mA}$ ;<br>$4.066 \text{ V} < V_S < 28 \text{ V}$ | P_6.1.34 |
| Output voltage drop<br>$V_{DR} = V_S - V_{CC}$        | $V_{DR}$     | –     | 380   | 770   | mV | $I_{CC} < 70 \text{ mA}$   | P_6.1.35 |
| Output voltage drop, 50 mA<br>$V_{DR} = V_S - V_{CC}$ | $V_{DR,50}$  | –     | 280   | 550   | mV | $I_{CC} < 50 \text{ mA}$   | P_6.1.36 |
| Output voltage drop, 20 mA<br>$V_{DR} = V_S - V_{CC}$ | $V_{DR,20}$  | –     | 110   | 220   | mV | $I_{CC} < 20 \text{ mA}$   | P_6.1.37 |
| Output current limitation                             | $I_{CC,lim}$ | -150  | –     | -70   | mA | $0 \text{ V} < V_{CC} < 3.1 \text{ V}$   | P_6.1.38 |

**Electrical characteristics**

**Table 6 Electrical characteristics (cont'd)**

5.5 V < V<sub>S</sub> < 28 V; R<sub>LIN</sub> = 500 Ω; -40 °C < T<sub>j</sub> < 150 °C;

all voltages with respect to ground; positive current flowing into pin<sup>1)</sup>; unless otherwise specified.

| Parameter                     | Symbol                | Values |      |      | Unit | Note or Test Condition   | Number   |
|-------------------------------|-----------------------|--------|------|------|------|--|----------|
|                               |                       | Min.   | Typ. | Max. |      |  |          |
| Load regulation               | $\Delta V_{CC,lo}$    | -      | 25   | 50   | mV   | 0.05 mA < I <sub>CC</sub> < 70 mA;<br>V <sub>S</sub> = 13.5 V  | P_6.1.39 |
| Line regulation               | $\Delta V_{CC,li}$    | -      | 25   | 50   | mV   | I <sub>CC</sub> = 1 mA;<br>4.066 V < V <sub>S</sub> < 28 V   | P_6.1.40 |
| Power supply ripple rejection | PSRR                  | 50     | 60   | -    | dB   | <sup>2)</sup> I <sub>CC</sub> = 50 mA; f = 100 Hz;<br>V <sub>r</sub> = 0.5 V <sub>pp</sub> ; V <sub>S</sub> = 13.5 V | P_6.1.41 |
| Undervoltage reset threshold  | V <sub>CC,UV</sub>    | 2.82   | 2.90 | 2.96 | V    | V <sub>CC</sub> decreasing   | P_6.1.42 |
| Undervoltage reset hysteresis | V <sub>CC,UV,hy</sub> | 33     | 66   | -    | mV   | -  | P_6.1.43 |
| Undervoltage detection time   | t <sub>det,RST</sub>  | 1      | -    | 20   | μs   | <sup>2)</sup> V <sub>CC</sub> = 2.31 V<br>C <sub>NRST</sub> = 20 pF  | P_6.1.44 |

**Receiver output: RxD**

|                             |                    |                          |   |                          |   |   |          |
|-----------------------------|--------------------|--------------------------|---|--------------------------|---|---|----------|
| “High” level output voltage | V <sub>RxD,H</sub> | 0.8<br>× V <sub>CC</sub> | - | -                        | V | I <sub>RxD</sub> = -2 mA; V <sub>BUS</sub> = V <sub>S</sub> | P_6.1.45 |
| “Low” level output voltage  | V <sub>RxD,L</sub> | -                        | - | 0.2<br>× V <sub>CC</sub> | V | I <sub>RxD</sub> = 2 mA; V <sub>BUS</sub> = 0 V             | P_6.1.46 |

**Transmission input: TxD**

|                                  |                      |                          |    |                          |    |                 |          |
|----------------------------------|----------------------|--------------------------|----|--------------------------|----|-----------------|----------|
| “High” level input voltage range | V <sub>TxD,H</sub>   | 0.7<br>× V <sub>CC</sub> | -  | -                        | V  | Recessive state | P_6.1.47 |
| “Low” level input voltage range  | V <sub>TxD,L</sub>   | -                        | -  | 0.3<br>× V <sub>CC</sub> | V  | Dominant state  | P_6.1.48 |
| Input hysteresis                 | V <sub>TxD,hys</sub> | 200                      | -  | -                        | mV | -               | P_6.1.49 |
| Pull-up resistance               | R <sub>TxD</sub>     | 15                       | 30 | 60                       | kΩ | -               | P_6.1.50 |
| TxD time-out                     | t <sub>TxD</sub>     | 8                        | 18 | 28                       | ms | -               | P_6.1.51 |
| TxD recessive release time       | t <sub>to,rec</sub>  | -                        | -  | 10                       | μs | <sup>2)</sup>   | P_6.1.52 |
| Input capacitance                | C <sub>i,TxD</sub>   | -                        | 5  | -                        | pF | <sup>2)</sup>   | P_6.1.93 |

**BUS receiver: BUS**

|  |                      |                           |                          |                           |   |  |          |
|--|----------------------|---------------------------|--------------------------|---------------------------|---|--|----------|
| Receiver threshold voltage, recessive to dominant edge | V <sub>th_dom</sub>  | 0.4<br>× V <sub>S</sub>   | 0.44<br>× V <sub>S</sub> | -                         | V | V <sub>S</sub> < 18 V;   | P_6.1.53 |
| Receiver dominant state                                | V <sub>BUSdom</sub>  | -27                       | -                        | 0.4<br>× V <sub>S</sub>   | V | LIN Spec 2.2A (Par. 17) <sup>4)</sup>                          | P_6.1.54 |
| Receiver threshold voltage, dominant to recessive edge | V <sub>th_rec</sub>  | -                         | 0.56<br>× V <sub>S</sub> | 0.6<br>× V <sub>S</sub>   | V | V <sub>S</sub> < 18 V;   | P_6.1.55 |
| Receiver recessive state                               | V <sub>BUSrec</sub>  | 0.6<br>× V <sub>S</sub>   | -                        | 40                        | V | LIN Spec 2.2A (Par. 18) <sup>5)</sup>                          | P_6.1.56 |
| Receiver center voltage                                | V <sub>BUS_CNT</sub> | 0.475<br>× V <sub>S</sub> | 0.5<br>× V <sub>S</sub>  | 0.525<br>× V <sub>S</sub> | V | LIN Spec 2.2A (Par. 19) <sup>6)</sup><br>V <sub>S</sub> < 18V; | P_6.1.57 |



**Electrical characteristics**

**Table 6 Electrical characteristics (cont'd)**

5.5 V <  $V_S$  < 28 V;  $R_{LIN} = 500 \Omega$ ;  $-40^\circ\text{C} < T_j < 150^\circ\text{C}$ ;

all voltages with respect to ground; positive current flowing into pin<sup>1)</sup>; unless otherwise specified.

| Parameter                 | Symbol       | Values               |                      |                       | Unit | Note or Test Condition  | Number   |
|---------------------------|--------------|----------------------|----------------------|-----------------------|------|---|----------|
|                           |              | Min.                 | Typ.                 | Max.                  |      |   |          |
| Receiver hysteresis       | $V_{HYS}$    | 0.07<br>$\times V_S$ | 0.12<br>$\times V_S$ | 0.175<br>$\times V_S$ | V    | LIN Spec 2.2A (Par. 20) <sup>7)</sup><br>$V_S < 18 \text{ V}$ ; | P_6.1.58 |
| Wake-up threshold voltage | $V_{BUS,wk}$ | 0.4<br>$\times V_S$  | 0.5<br>$\times V_S$  | 0.6<br>$\times V_S$   | V    | –   | P_6.1.59 |

**BUS transmitter: BUS**

|  |                    |                     |      |       |               |   |          |
|--|--------------------|---------------------|------|-------|---------------|---|----------|
| BUS recessive output voltage             | $V_{BUS,ro}$       | 0.8<br>$\times V_S$ | –    | $V_S$ | V             | TxD = “high”; Open load   | P_6.1.60 |
| BUS short-circuit current                | $I_{BUS,LIM}$      | 40                  | 85   | 125   | mA            | $V_{BUS} = 18 \text{ V}$ ;<br>LIN Spec 2.2A (Par. 12);  | P_6.1.61 |
| Leakage current                          | $I_{BUS,NO\_GND}$  | -1                  | -0.5 | –     | mA            | $V_S = 0 \text{ V}$ ; $V_{BUS} = -12 \text{ V}$ ;<br>LIN Spec 2.2A (Par. 15)  | P_6.1.62 |
| Leakage current                          | $I_{BUS,NO\_BAT}$  | –                   | 1    | 5     | $\mu\text{A}$ | $V_S = 0 \text{ V}$ ; $V_{BUS} = 18 \text{ V}$ ;<br>LIN Spec 2.2A (Par. 16)   | P_6.1.63 |
| Leakage current                          | $I_{BUS,PAS\_dom}$ | -1                  | -0.5 | –     | mA            | $V_S = 18 \text{ V}$ ; $V_{BUS} = 0 \text{ V}$ ;<br>LIN Spec 2.2A (Par. 13)   | P_6.1.64 |
| Leakage current                          | $I_{BUS,PAS\_rec}$ | –                   | 1    | 5     | $\mu\text{A}$ | $V_S = 8 \text{ V}$ ; $V_{BUS} = 18 \text{ V}$ ;<br>Driver stage “off”;<br>TxD = “high”;<br>LIN Spec 2.2A (Par. 14) | P_6.1.65 |
| Forward voltage serial diode             | $V_{SerDiode}$     | 0.4                 | –    | 1.0   | V             | $I_{SerDiode} = -75 \mu\text{A}$<br>LIN Spec 2.2A (Par.21)  | P_6.1.66 |
| BUS pull-up resistance                   | $R_{slave}$        | 20                  | 40   | 60    | k $\Omega$    | LIN Spec 2.2A (Par. 26)   | P_6.1.67 |
| BUS dominant output voltage maximum load | $V_{BUS,do}$       | –                   | –    | 1.4   | V             | $V_{TxD} = 0 \text{ V}$ ; $R_{LIN} = 500 \Omega$ ;<br>$V_S = 5.5 \text{ V}$ ;                                       | P_6.1.68 |
| BUS dominant output voltage maximum load | $V_{BUS,do}$       | –                   | –    | 2.0   | V             | $V_{TxD} = 0 \text{ V}$ ; $R_{LIN} = 500 \Omega$ ;<br>$V_S = 18 \text{ V}$ ;  | P_6.1.98 |
| Input capacitance                        | $C_{i\_BUS}$       | –                   | –    | 30    | pF            | <sup>2)</sup>   | P_6.1.95 |

**Dynamic transceiver characteristics: BUS**

|  |               |    |     |     |               |   |          |
|--|---------------|----|-----|-----|---------------|---|----------|
| Dominant time for bus wake-up  | $t_{WK,bus}$  | 30 | –   | 150 | $\mu\text{s}$ | –   | P_6.1.69 |
| Propagation delay:<br>LIN bus dominant to<br>RxD “low”<br>LIN bus recessive to<br>RxD “high” | $t_{rx\_pdf}$ | 1  | 3.5 | 6   | $\mu\text{s}$ | LIN Spec 2.2A (Par. 31)<br>$C_{RxD} = 20 \text{ pF}$  | P_6.1.70 |
|  | $t_{rx\_pdr}$ | 1  | 3.5 | 6   | $\mu\text{s}$ |   |          |
| Receiver delay symmetry  | $t_{rx\_sym}$ | -2 | –   | 2   | $\mu\text{s}$ | LIN Spec 2.2A (Par. 32)<br>$t_{rx\_sym} = t_{rx\_pdf} - t_{rx\_pdr}$ ;<br>$C_{RxD} = 20 \text{ pF}$ | P_6.1.71 |

**Electrical characteristics**

**Table 6 Electrical characteristics (cont'd)**

$5.5\text{ V} < V_S < 28\text{ V}$ ;  $R_{LIN} = 500\ \Omega$ ;  $-40^\circ\text{C} < T_j < 150^\circ\text{C}$ ;

all voltages with respect to ground; positive current flowing into pin<sup>1)</sup>; unless otherwise specified.

| Parameter   | Symbol    | Values |      |       | Unit | Note or Test Condition  | Number   |
|---|-----------|--------|------|-------|------|---|----------|
|   |           | Min.   | Typ. | Max.  |      |   |          |
| Duty cycle D1<br>(for worst case at 20 kBit/s)<br><br>$D1 = t_{bus\_rec(min)} / 2 \times t_{bit}$                                   | <i>D1</i> | 0.396  | –    | –     |      | Duty cycle 1 <sup>8)</sup><br>$TH_{Rec(max)} = 0.744 \times V_S$ ;<br>$TH_{Dom(max)} = 0.581 \times V_S$ ;<br>$V_S = 7.0 \dots 18\text{ V}$ ;<br>$t_{bit} = 50\ \mu\text{s}$ ;<br>LIN Spec 2.2A (Par. 27) | P_6.1.72 |
| Duty cycle D1<br>$V_S$ supply 5.5 V to 7.0 V<br>(for worst case at 20 kBit/s)<br><br>$D1 = t_{bus\_rec(min)} / 2 \times t_{bit}$    | <i>D1</i> | 0.396  | –    | –     |      | Duty cycle 1 <sup>8)</sup><br>$TH_{Rec(max)} = 0.760 \times V_S$ ;<br>$TH_{Dom(max)} = 0.593 \times V_S$ ;<br>$5.5\text{ V} < V_S < 7.0\text{ V}$ ;<br>$t_{bit} = 50\ \mu\text{s}$                        | P_6.1.73 |
| Duty cycle D2<br>(for worst case at 20 kBit/s)<br><br>$D2 = t_{bus\_rec(max)} / 2 \times t_{bit}$                                   | <i>D2</i> | –      | –    | 0.581 |      | Duty cycle 2 <sup>8)</sup><br>$TH_{Rec(min)} = 0.422 \times V_S$ ;<br>$TH_{Dom(min)} = 0.284 \times V_S$ ;<br>$V_S = 7.6 \dots 18\text{ V}$ ;<br>$t_{bit} = 50\ \mu\text{s}$ ;<br>LIN Spec 2.2A (Par. 28) | P_6.1.74 |
| Duty cycle D2<br>$V_S$ supply 6.1 V to 7.6 V<br>(for worst case at 20 kBit/s)<br><br>$D2 = t_{bus\_rec(max)} / 2 \times t_{bit}$    | <i>D2</i> | –      | –    | 0.581 |      | Duty cycle 2 <sup>8)</sup><br>$TH_{Rec(min)} = 0.41 \times V_S$ ;<br>$TH_{Dom(min)} = 0.275 \times V_S$ ;<br>$6.1\text{ V} < V_S < 7.6\text{ V}$ ;<br>$t_{bit} = 50\ \mu\text{s}$ ;                       | P_6.1.75 |
| Duty cycle D3<br>$V_S$ supply 7.0 V to 18.0 V<br>(for worst case at 10.4 kBit/s)<br><br>$D3 = t_{bus\_rec(min)} / 2 \times t_{bit}$ | <i>D3</i> | 0.417  | –    | –     |      | Duty cycle 3 <sup>8)</sup><br>$TH_{Rec(max)} = 0.778 \times V_S$ ;<br>$TH_{Dom(max)} = 0.616 \times V_S$ ;<br>$V_S = 7.0 \dots 18\text{ V}$ ;<br>$t_{bit} = 96\ \mu\text{s}$ ;<br>LIN Spec 2.2A (Par. 29) | P_6.1.76 |
| Duty cycle D3<br>$V_S$ supply 5.5 V to 7.0 V<br>(for worst case at 10.4 kBit/s)<br><br>$D3 = t_{bus\_rec(min)} / 2 \times t_{bit}$  | <i>D3</i> | 0.417  | –    | –     |      | Duty cycle 3 <sup>8)</sup><br>$TH_{Rec(max)} = 0.797 \times V_S$ ;<br>$TH_{Dom(max)} = 0.630 \times V_S$ ;<br>$5.5\text{ V} < V_S < 7.0\text{ V}$ ;<br>$t_{bit} = 96\ \mu\text{s}$ ;                      | P_6.1.77 |

**Electrical characteristics**

**Table 6 Electrical characteristics (cont'd)**

5.5 V <  $V_S$  < 28 V;  $R_{LIN} = 500 \Omega$ ;  $-40^\circ\text{C} < T_j < 150^\circ\text{C}$ ;

all voltages with respect to ground; positive current flowing into pin<sup>1)</sup>; unless otherwise specified.

| Parameter   | Symbol | Values |      |       | Unit | Note or Test Condition  | Number   |
|---|--------|--------|------|-------|------|---|----------|
|   |        | Min.   | Typ. | Max.  |      |   |          |
| Duty cycle D4<br>$V_S$ supply 7.6 V to 18.0 V<br>(for worst case at 10.4 kBit/s)<br><br>$D4 = t_{bus\_rec(max)} / 2 \times t_{bit}$ | D4     | –      | –    | 0.590 |      | Duty cycle 4 <sup>8)</sup><br>$TH_{Rec(min)} = 0.389 \times V_S$ ;<br>$TH_{Dom(min)} = 0.251 \times V_S$ ;<br>$V_S = 7.6 \dots 18 \text{ V}$ ;<br>$t_{bit} = 96 \mu\text{s}$ ;<br>LIN Spec 2.2A (Par. 30) | P_6.1.78 |
| Duty cycle D4<br>$V_S$ supply 6.1 V to 7.6 V<br>(for worst case at 10.4 kBit/s)<br><br>$D4 = t_{bus\_rec(max)} / 2 \times t_{bit}$  | D4     | –      | –    | 0.590 |      | Duty cycle 4 <sup>8)</sup><br>$TH_{Rec(min)} = 0.378 \times V_S$ ;<br>$TH_{Dom(min)} = 0.242 \times V_S$ ;<br>$6.1 \text{ V} < V_S < 7.6 \text{ V}$ ;<br>$t_{bit} = 96 \mu\text{s}$ ;                     | P_6.1.79 |

- 1) Load current on  $V_{CC}$  specified positive direction out of pin.
- 2) Not subject to production test, specified by design.
- 3) Measured when the output voltage  $V_{CC}$  has dropped 100 mV from the nominal value obtained at  $V_S = 13.5 \text{ V}$ .
- 4) Minimum limit specified by design.
- 5) Maximum limit specified by design.
- 6)  $V_{BUS\_CNT} = (V_{th\_dom} + V_{th\_rec}) / 2$ .
- 7)  $V_{HYS} = V_{th\_rec} - V_{th\_dom}$ .
- 8) BUS load according to LIN Spec 2.2A:  
 Load 1 = 1 nF / 1 k $\Omega$  =  $C_{BUS} / R_{LIN}$   
 Load 2 = 6.8 nF / 660  $\Omega$  =  $C_{BUS} / R_{LIN}$   
 Load 3 = 10 nF / 500  $\Omega$  =  $C_{BUS} / R_{LIN}$

Electrical characteristics

6.2 Diagrams

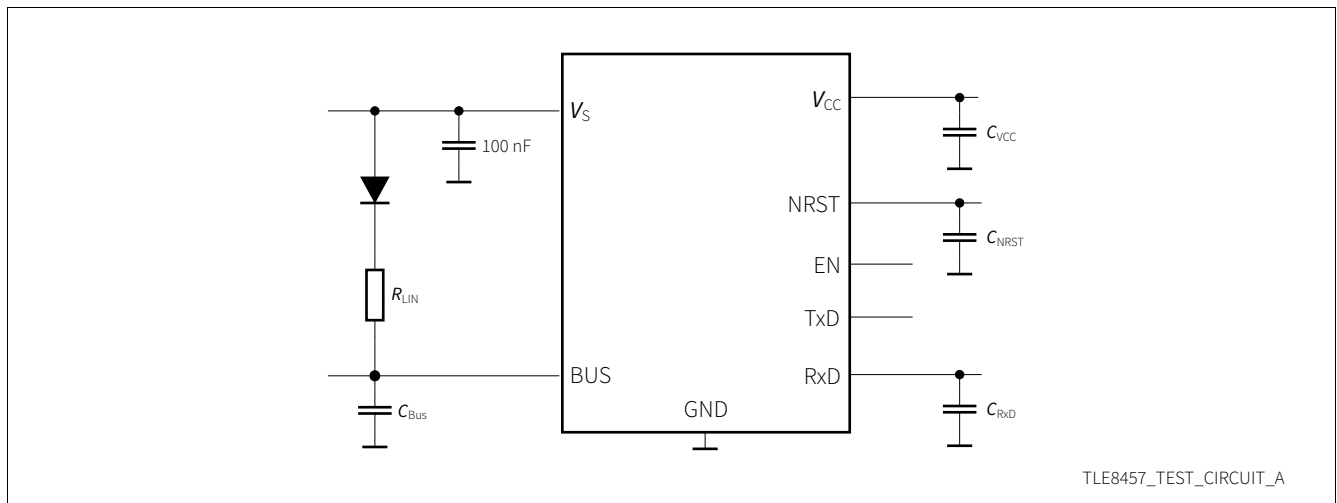


Figure 16 Simplified test circuit for dynamic transceiver characteristics

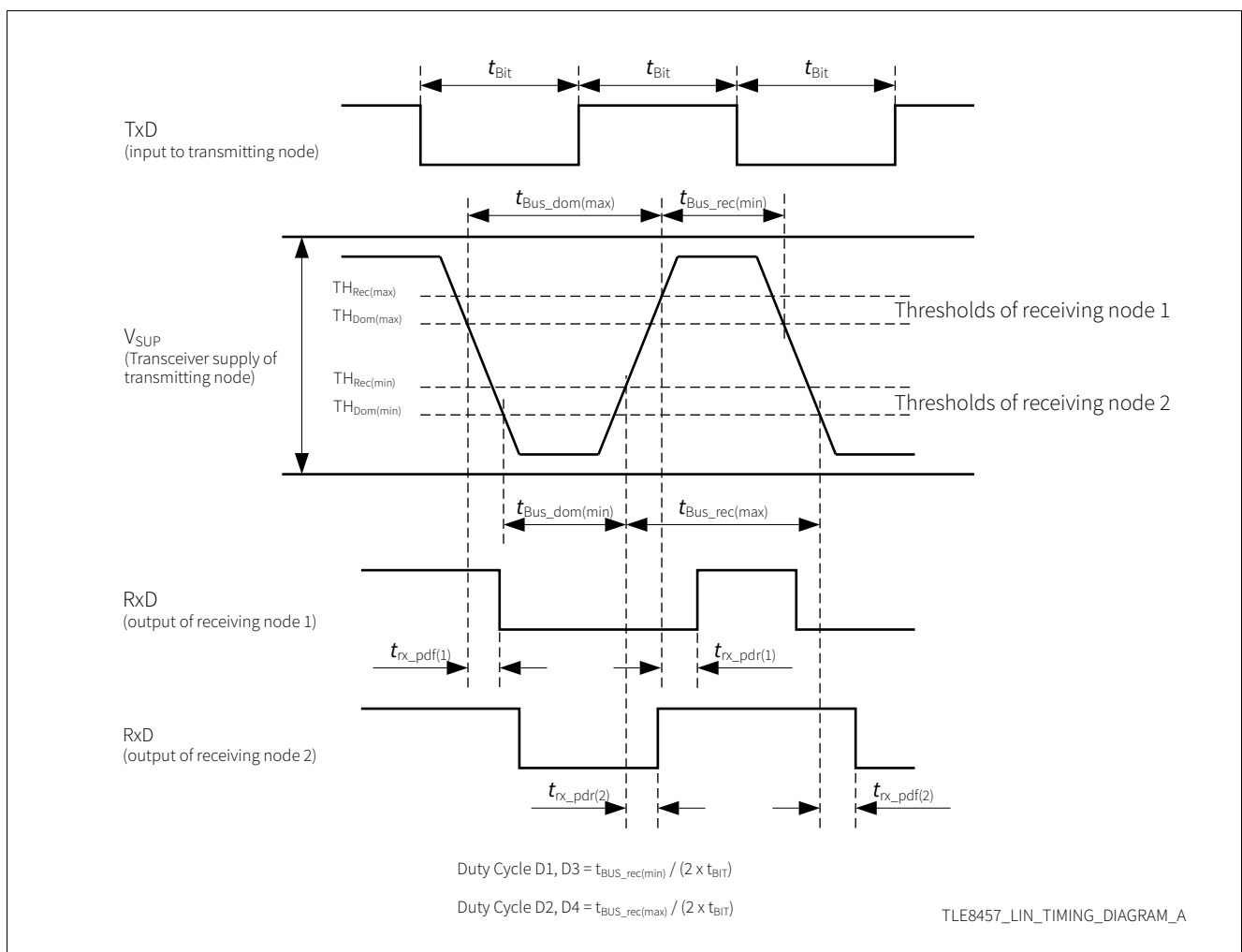


Figure 17 Timing diagram for dynamic transceiver characteristics

Application information

## 7 Application information

Note: The following information is given as a hint for the implementation of the device only and shall not be regarded as a description or warranty of a certain functionality, condition or quality of the device.

### 7.1 Application example

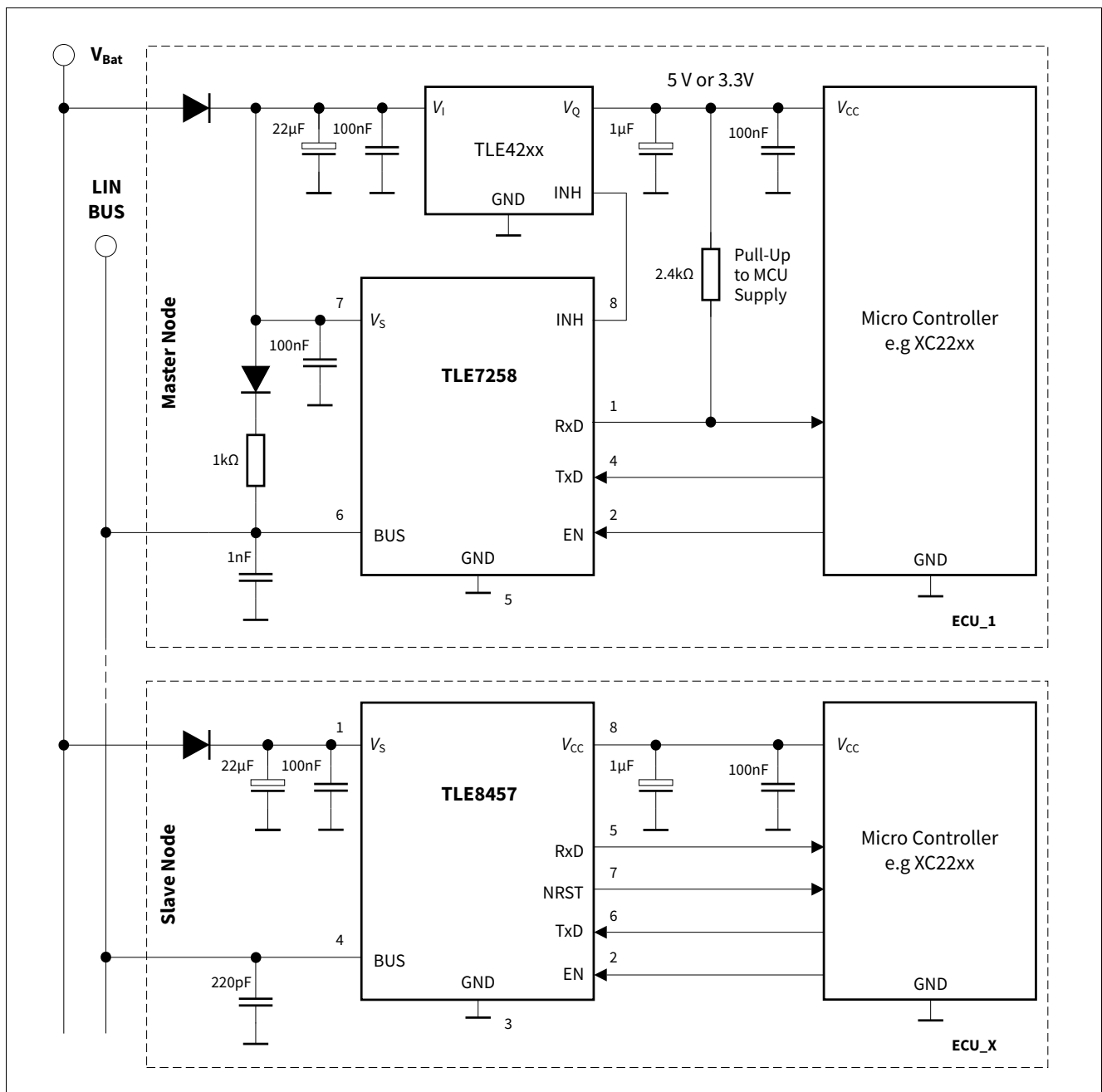


Figure 18 Simplified application circuit

**Application information**

**7.2 ESD robustness according to IEC61000-4-2**

Test for ESD robustness according to IEC61000-4-2 (150 pF, 330 Ω) have been performed. The results and test conditions are available in a separate test report.

**Table 7 ESD robustness according to IEC61000-4-2**

| <b>Performed Test</b>   | <b>Results</b> | <b>Unit</b> | <b>Remarks</b>               |
|---|----------------|-------------|------------------------------|
| Electrostatic discharge voltage at pin $V_S$ , BUS versus GND | +8             | kV          | <sup>1)</sup> Positive pulse |
| Electrostatic discharge voltage at pin $V_S$ , BUS versus GND | -8             | kV          | <sup>1)</sup> Negative pulse |

1) ESD susceptibility according LIN EMC 1.3 Test Specification, Section 4.3. (IEC 61000-4-2) - Tested by external test house.

**7.3 Transient robustness according to ISO 7637-2**

Test for transient robustness according to ISO 7637-2 have been performed. The results and test conditions are available in a separate test report.

**Table 8 Automotive transient robustness according to ISO 7637-2**

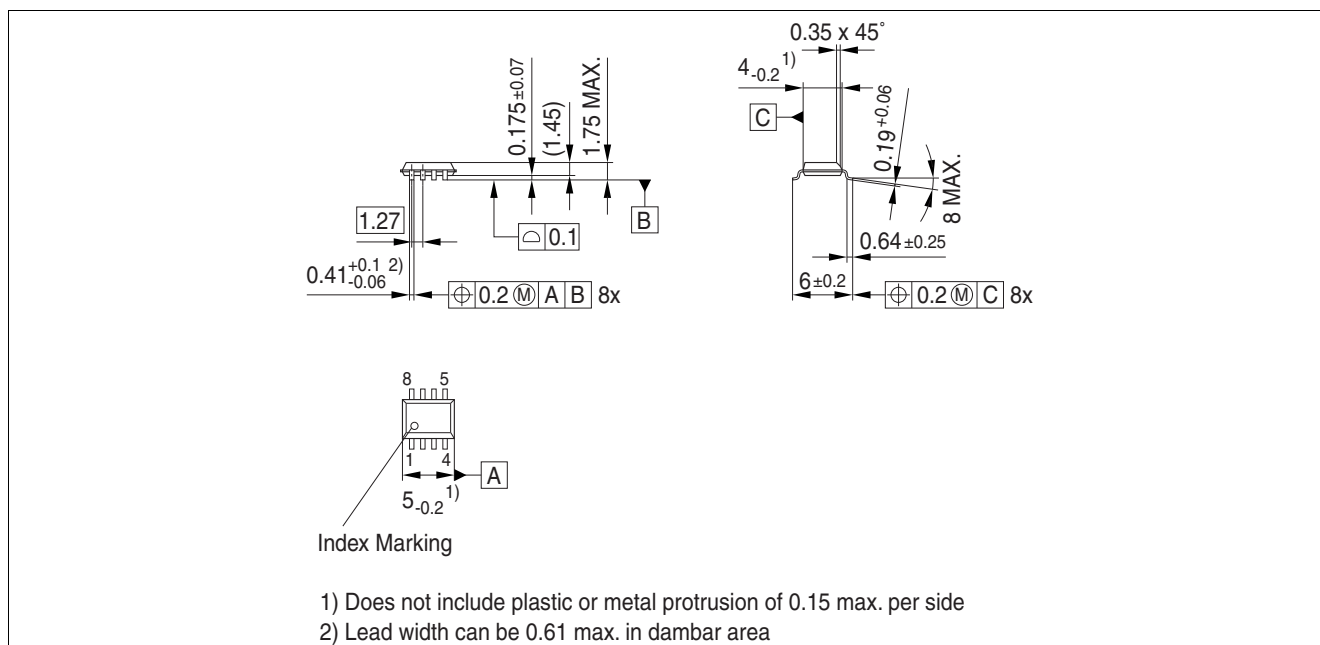
| <b>Performed Test</b> | <b>Results</b> | <b>Unit</b> |
|-----------------------|----------------|-------------|
| Pulse 1               | -100           | V           |
| Pulse 2               | +75            | V           |
| Pulse 3a              | -150           | V           |
| Pulse 3b              | +100           | V           |

**7.4 LIN physical layer compatibility**

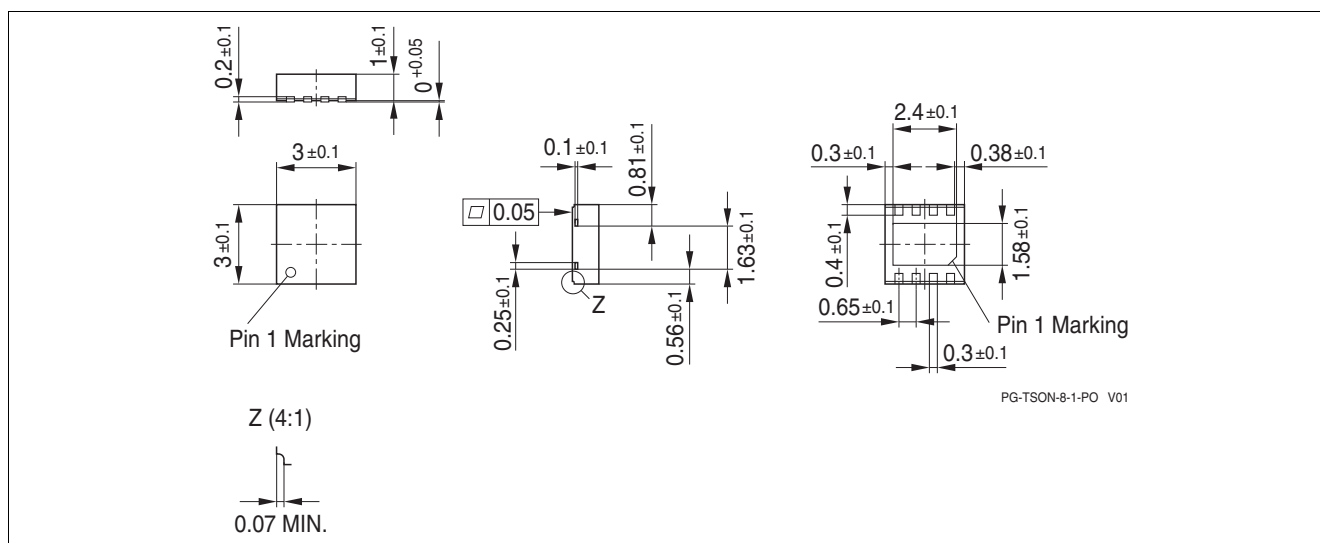
As the LIN physical layer is independent from higher LIN layers (for example LIN protocol layer), all nodes with a LIN physical layer corresponding to this revision can be mixed with LIN physical layer nodes, which are according to older revisions (LIN 1.0, LIN 1.1, LIN 1.2, LIN 1.3, LIN 2.0, LIN 2.1 and LIN 2.2), without any restrictions.

Package information

## 8 Package information



**Figure 19 PG-DSO-8 (Plastic dual small outline PG-DSO-8)<sup>1)</sup>**



**Figure 20 PG-TSON-8 (Plastic thin small outline nonleaded PG-TSON-8)<sup>1)</sup>**

### Green Product (RoHS compliant)

To meet the world-wide customer requirements for environmentally friendly products and to be compliant with government regulations the device is available as a green product. Green products are RoHS-Compliant (i.e Pb-free finish on leads and suitable for Pb-free soldering according to IPC/JEDEC J-STD-020).

### Further information on packages

<https://www.infineon.com/packages>

1) Dimensions in mm

**Revision history**

## **9 Revision history**

| <b>Revision</b> | <b>Date</b> | <b>Changes</b>  |
|-----------------|-------------|---|
| 1.1             | 2018-10-15  | Data Sheet updated: <ul style="list-style-type: none"><li>• Updated to new layout style</li><li>• Editorial changes</li></ul> |
| 1.0             | 2016-08-05  | Data Sheet created  |



## Trademarks

All referenced product or service names and trademarks are the property of their respective owners.

**Edition 2018-10-15**

**Published by**

**Infineon Technologies AG**

**81726 Munich, Germany**

**© 2018 Infineon Technologies AG.**

**All Rights Reserved.**

**Do you have a question about any aspect of this document?**

**Email: [erratum@infineon.com](mailto:erratum@infineon.com)**

**Document reference**

**Z8F55801912**

## IMPORTANT NOTICE

The information given in this document shall in no event be regarded as a guarantee of conditions or characteristics ("Beschaffheitsgarantie").

With respect to any examples, hints or any typical values stated herein and/or any information regarding the application of the product, Infineon Technologies hereby disclaims any and all warranties and liabilities of any kind, including without limitation warranties of non-infringement of intellectual property rights of any third party.

In addition, any information given in this document is subject to customer's compliance with its obligations stated in this document and any applicable legal requirements, norms and standards concerning customer's products and any use of the product of Infineon Technologies in customer's applications.

The data contained in this document is exclusively intended for technically trained staff. It is the responsibility of customer's technical departments to evaluate the suitability of the product for the intended application and the completeness of the product information given in this document with respect to such application.

For further information on technology, delivery terms and conditions and prices, please contact the nearest Infineon Technologies Office ([www.infineon.com](http://www.infineon.com)).

## WARNINGS

Due to technical requirements products may contain dangerous substances. For information on the types in question please contact your nearest Infineon Technologies office.

Except as otherwise explicitly approved by Infineon Technologies in a written document signed by authorized representatives of Infineon Technologies, Infineon Technologies' products may not be used in any applications where a failure of the product or any consequences of the use thereof can reasonably be expected to result in personal injury.