

NOTES1:

- UL Standard
- 1. Rated voltage/current : 600V / 40A
- 2. Withstanding voltage : AC2200V/1min.
- 3. Wire range : 24~8AWG

IEC Standard

1. Pollution degree	2	2	3
Overvoltage category	II	III	III
Rate impulse voltage(KV)	8KV	8KV	8KV
Rate voltage(V)	1000V	1000V	630V
Rate current(A)	41A		

2. Wire range : 0.2~6mm²

NOTES2:

- 1. Dimension shall be interpreted per ASME Y14.5-2009
- 2. Pitch : 7.50mm, Poles : N=02~24P
- 3. Stripping length : 14~15mm
- 4. Operating temperature : -40°C~+105°C
- 5. Undimensioned tolerances:

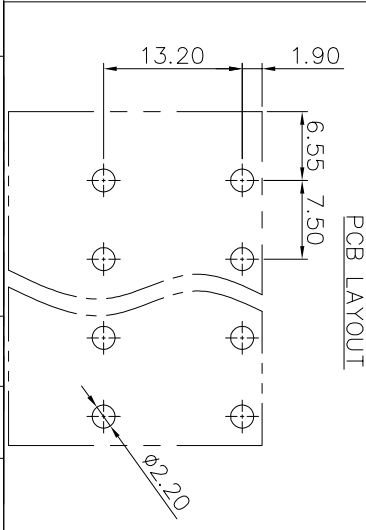
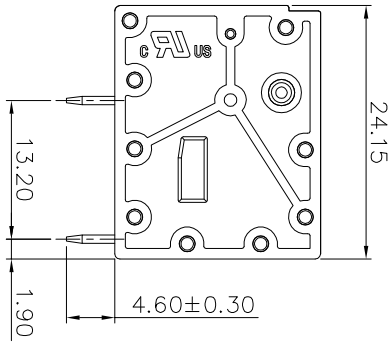
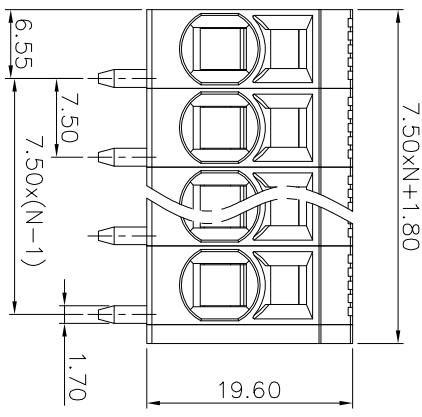
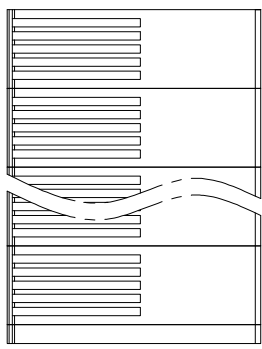
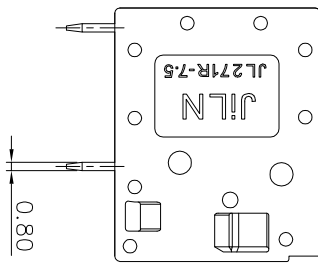
Pitch range in mm	Nominal dimension		range		Tolerance						
	Over	TO	Over	TO							
6	10	10	30	60	0.1/10						
10	24	30	60	100	150	≤					
30	60	100	150	150	±2°						
±0.15		±0.30		±0.50		±0.70		±1.00		±1.30	

6. RoHS Compliance

Ordering Information

JL271R - 750 XX G 0 1

- Pitch 750=7.50PH
- No. of pins 2P~24P
- Housing Color B=Black G=Green U=Blue R=Red W=White Y=Yellow D=Drange E=Grey
- Packing 0=Pe bag T=Tube A=Tray



DRAW	SHUANGPING ZHENG	SCALE	FIT	PART NO.	JL271R-750XXG01
CHECK	LICHAD LIU	UNIT	mm		
APPROVE	YONGLIANG GAO	SIZE	A4	TITLE:	JL271R-7.5-XXP弹簧式/弯脚双排/绿色
		SHEET	1/1		
		PRD			

REVISION RECORD				
REV	ECN	DESCRIPTION	DRFT	DATE
A0		NEW		21.06.30

JILIN 东莞市锦凌电子有限公司
DONGGUAN JINLING ELECTRONIC CO., LTD