



Product Compliance

[For compliance documentation, visit the product page on TE.com>](#)

EU RoHS Directive 2011/65/EU	Compliant
EU ELV Directive 2000/53/EC	Compliant
China RoHS 2 Directive MIIT Order No 32, 2016	No Restricted Materials Above Threshold
EU REACH Regulation (EC) No. 1907/2006	Current ECHA Candidate List: JUNE 2024 (241) Candidate List Declared Against: JAN 2024 (240) Does not contain REACH SVHC
Halogen Content	Low Halogen - Br, Cl, F, I < 900 ppm per homogenous material. Also BFR/CFR/PVC Free
Solder Process Capability	Not applicable for solder process capability

Product Compliance Disclaimer

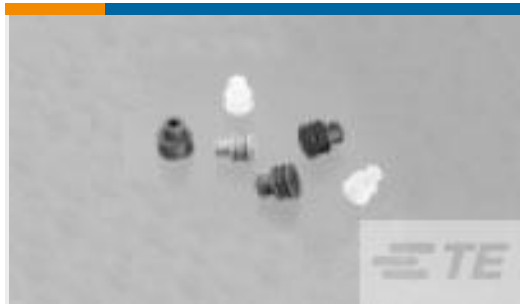
This information is provided based on reasonable inquiry of our suppliers and represents our current actual knowledge based on the information they provided. This information is subject to change. The part numbers that TE has identified as EU RoHS compliant have a maximum concentration of 0.1% by weight in homogenous materials for lead, hexavalent chromium, mercury, PBB, PBDE, DBP, BBP, DEHP, DIBP, and 0.01% for cadmium, or qualify for an exemption to these limits as defined in the Annexes of Directive 2011/65/EU (RoHS2). Finished electrical and electronic equipment products will be CE marked as required by Directive 2011/65/EU. Components may not be CE marked. Additionally, the part numbers that TE has identified as EU ELV compliant have a maximum concentration of 0.1% by weight in homogenous materials for lead, hexavalent chromium, and mercury, and 0.01% for cadmium, or qualify for an exemption to these limits as defined in the Annexes of Directive 2000/53/EC (ELV). Regarding the REACH Regulation, the information TE provides on SVHC in articles for this part number is based on the latest European Chemicals Agency (ECHA) 'Guidance on requirements for substances in articles' posted at this URL: <https://echa.europa.eu/guidance-documents/guidance-on-reach>

Also in the Series | [HDC IP65](#)

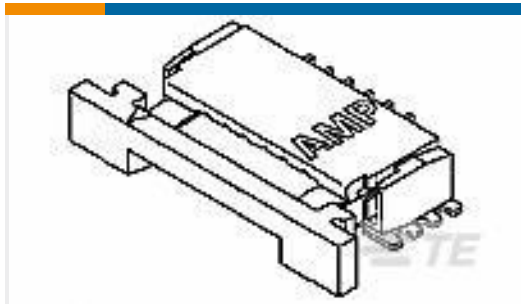


Rectangular Connector Hoods & Bases (1258)

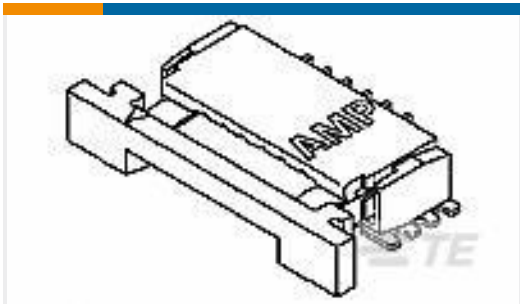
Customers Also Bought



TE Part #828921-1
EINZELADERDICHTUNG



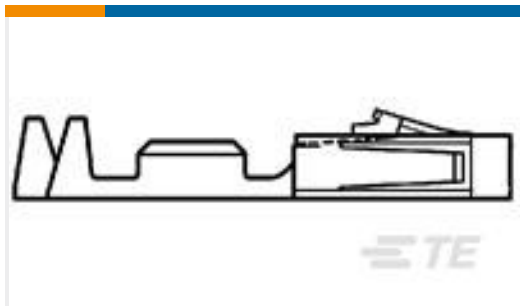
TE Part #1-84952-5
1MM FPC HORZ.BTTM CONT.ASS.15P



TE Part #1-84952-0
1MM FPC HORZ.BTTM CONT.ASS.10P



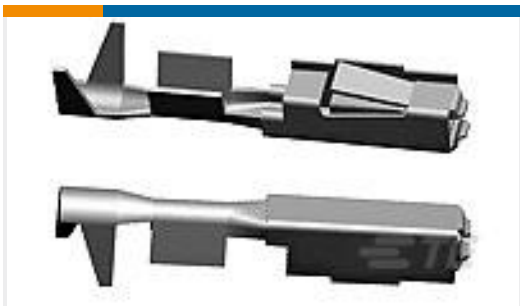
TE Part #181953-1
250 FASTON,TAB,BR



TE Part #104479-9
SHORT POINT CONT 15 DPLX
STMPD LF



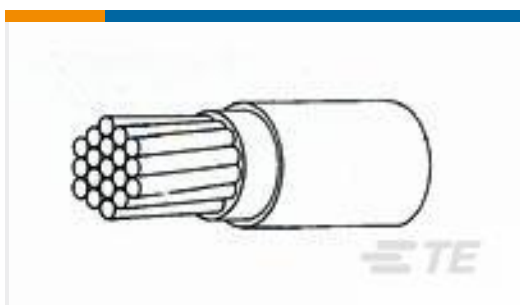
TE Part #5677564008
RNF-3000-3/1-0-SP



TE Part #5-963715-1
MQS0,63 Sn rec LL unseal. 0,5-0,75



TE Part #270225-000
B-150-07



TE Part #2820243008
44A0111-20-4



TE Part #1108719-1
EMV-K.6/16.STO1.13G

Documents

Product Drawings

[EMV-K.3/4.STO.1.11.G](#)

English

CAD Files

[3D PDF](#)

[3D](#)

[Customer View Model](#)

[ENG_CVM_CVM_4-1102700-5_C.2d_dxf.zip](#)



English

Customer View Model

[ENG_CVM_CVM_4-1102700-5_C.3d_igs.zip](#)

English

Customer View Model

[ENG_CVM_CVM_4-1102700-5_C.3d_stp.zip](#)

English

By downloading the CAD file I accept and agree to the [Terms and Conditions](#) of use.

Datasheets & Catalog Pages

[Heavy Duty Connectors](#)

English