

# MCR-SL-CUC-500-I - Universal current transducer



2308085

<https://www.phoenixcontact.com/us/products/2308085>

Please be informed that the data shown in this PDF document is generated from our online catalog. Please find the complete data in the user documentation. Our general terms of use for downloads are valid.



Universal current transducer, for measuring DC, AC, and distorted currents, 0 ... 500 A input current, 4 ... 20 mA output

## Your advantages

- Variable mounting on DIN rail and mounting panel
- Compact dimensions also enable distributed use
- Simple connection technology thanks to COMBICON plug-in connection terminal blocks
- 3-way isolation
- Universal current measurement, no shunt required

## Commercial data

Item number	2308085
Packing unit	1 pc
Minimum order quantity	1 pc
Sales key	C444
Product key	CK4A31
Catalog page	Page 229 (C-5-2019)
GTIN	4046356566971
Weight per piece (including packing)	290.9 g
Weight per piece (excluding packing)	286.5 g
Customs tariff number	90303370
Country of origin	CN

## Technical data

### Product properties

Product type	Current transducer
Data management status	
Article revision	03
Insulation characteristics	
Overvoltage category	III
Pollution degree	2

### Electrical properties

Linearity error	$<\pm 1\%$ (From the range end value)
Maximum power dissipation for nominal condition	1 W
Step response (10-90%)	150 ms
Temperature coefficient, typical	0.02 %/K (0 °C ... 60 °C) 0.04 %/K (-40 °C ... 65 °C)
Maximum transmission error	$<\pm 1\%$ (of final value)
Rated insulation voltage	300 V AC

#### Electrical isolation Input/output

Test voltage	3.5 kV AC (50 Hz, 60 s)
--------------	-------------------------

#### Electrical isolation Input/power supply

Test voltage	3.5 kV AC (50 Hz, 60 s)
--------------	-------------------------

#### General

Accuracy class	1
----------------	---

#### Supply

Nominal supply voltage	24 V DC
Supply voltage range	20 V DC ... 30 V DC
Max. current consumption	$(30 + I_{OUT})$ mA
Power consumption	1.65 W

## Input data

### Measurement

Number of inputs	1
Input current range	0 A AC/DC ... 500 A AC/DC
Overload capacity	$3.6 \times I_{IN}$
Frequency measuring range	20 Hz ... 6000 Hz (0 Hz)
Curve type	AC, DC or distorted currents

### Current transformer

Rated frequency: Standard converter	20 Hz ... 6000 Hz
-------------------------------------	-------------------

# MCR-SL-CUC-500-I - Universal current transducer



2308085

<https://www.phoenixcontact.com/us/products/2308085>

Primary rated current $I_{pn}$	500 A
Accuracy class	1

## Output data

Signal: Current

Current output signal	4 mA ... 20 mA
Max. current output signal	< 25 mA
Load/output load current output	< 300 $\Omega$

## Connection data

Connection method	Push-in connection
Stripping length	10 mm
Conductor cross section rigid	0.25 mm <sup>2</sup> ... 2.5 mm <sup>2</sup>
Conductor cross section flexible	0.2 mm <sup>2</sup> ... 2.5 mm <sup>2</sup>
Conductor cross section AWG	24 ... 12
Connection method	Through connection

## Dimensions

Item dimensions

Width	90 mm
Height	33.8 mm
Depth	85 mm

Circular conductor

Diameter	32 mm
----------	-------

## Material specifications

Color	green (RAL 6021)
Housing material	Frianyl B63 V0 GV30

## Environmental and real-life conditions

Ambient conditions

Degree of protection	IP20
Ambient temperature (operation)	-40 °C ... 65 °C
Ambient temperature (storage/transport)	-40 °C ... 85 °C

## Approvals

CE

Certificate	CE-compliant
-------------	--------------

UKCA

Certificate	UKCA-compliant
-------------	----------------

## EMC data

# MCR-SL-CUC-500-I - Universal current transducer



2308085

<https://www.phoenixcontact.com/us/products/2308085>

Noise immunity	EN 61000-6-2
Noise emission	EN 61000-6-4

## Mounting

Mounting type	DIN rail mounting
---------------	-------------------

# MCR-SL-CUC-500-I - Universal current transducer

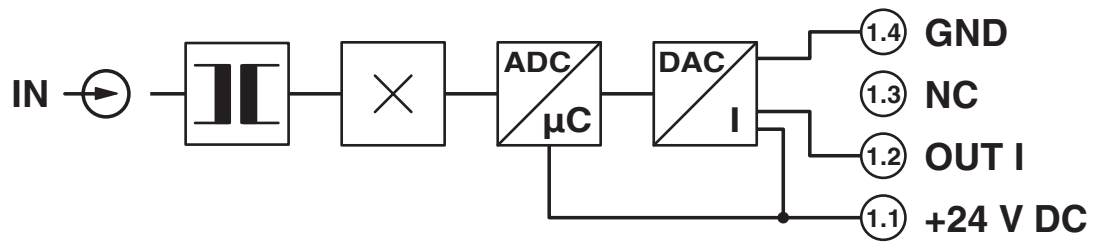


2308085

<https://www.phoenixcontact.com/us/products/2308085>

## Drawings

Circuit diagram



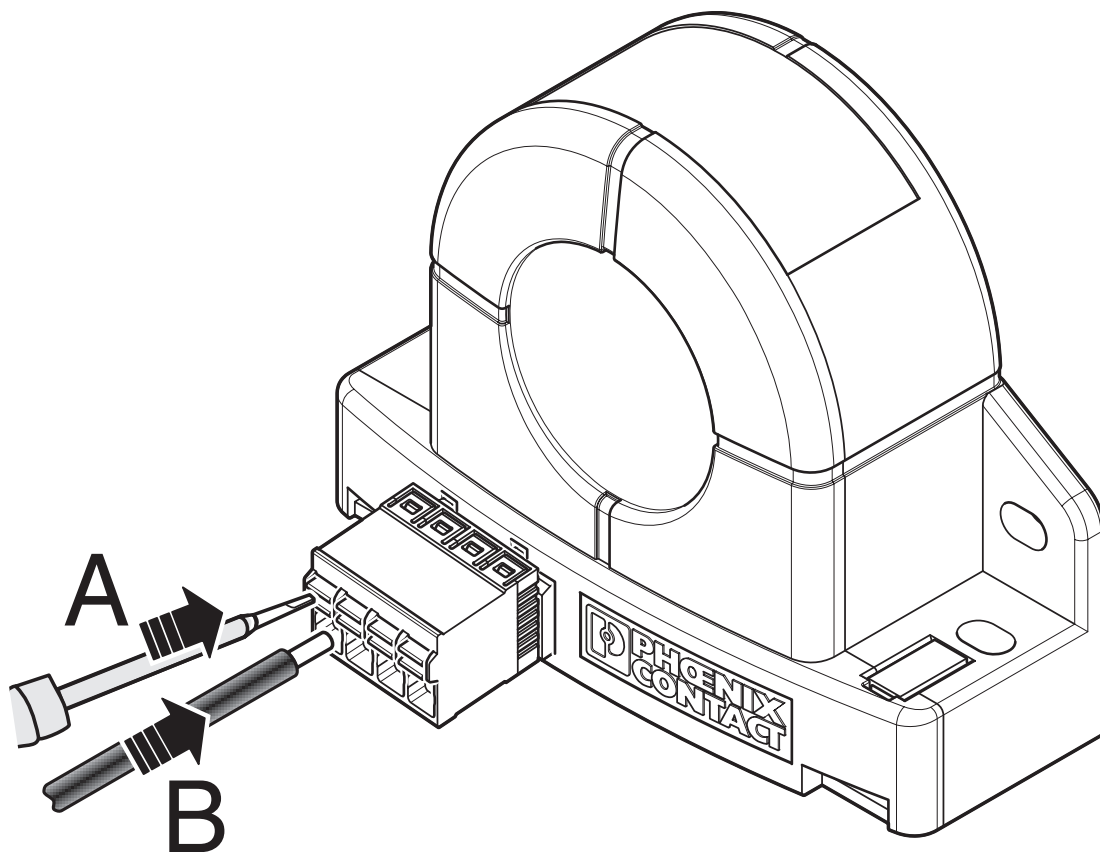
# MCR-SL-CUC-500-I - Universal current transducer

2308085

<https://www.phoenixcontact.com/us/products/2308085>



Schematic diagram



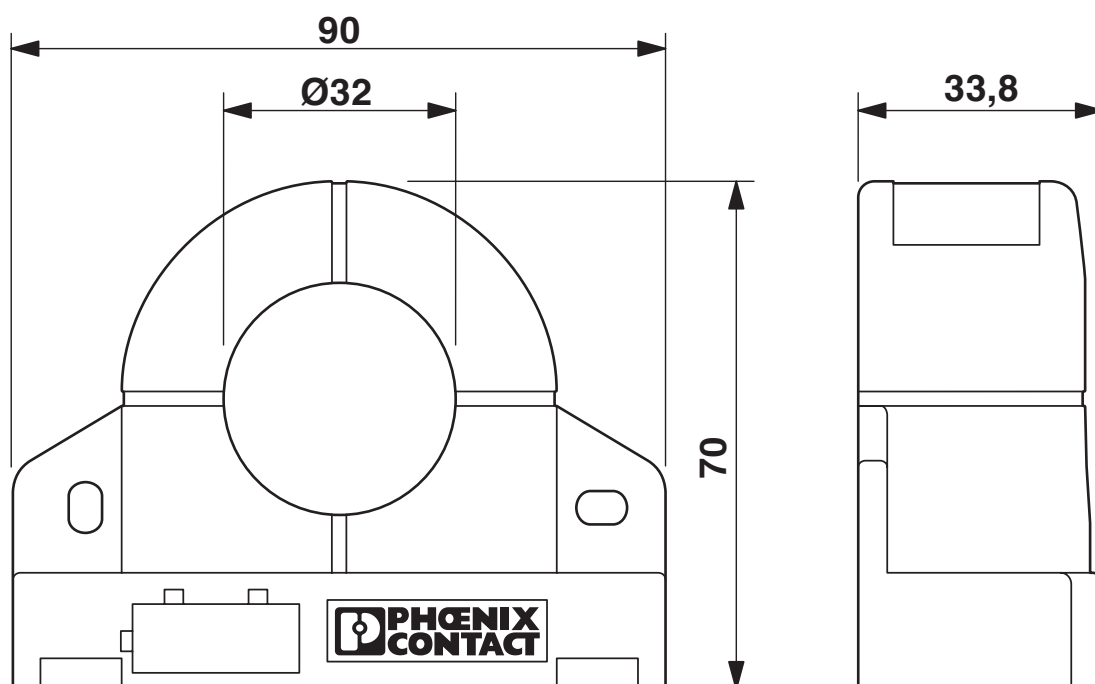
# MCR-SL-CUC-500-I - Universal current transducer

2308085

<https://www.phoenixcontact.com/us/products/2308085>



Dimensional drawing



# MCR-SL-CUC-500-I - Universal current transducer



2308085

<https://www.phoenixcontact.com/us/products/2308085>

## Approvals

To download certificates, visit the product detail page: <https://www.phoenixcontact.com/us/products/2308085>



**EAC**

Approval ID: RU\*DE.\*08.B.01852-19



# MCR-SL-CUC-500-I - Universal current transducer



2308085

<https://www.phoenixcontact.com/us/products/2308085>

## Classifications

### ECLASS

ECLASS-11.0	27210123
ECLASS-13.0	27210123
ECLASS-12.0	27210123

### ETIM

ETIM 9.0	EC002475
----------	----------

### UNSPSC

UNSPSC 21.0	39121000
-------------	----------

2308085

<https://www.phoenixcontact.com/us/products/2308085>

## Environmental product compliance

### EU RoHS

Fulfills EU RoHS substance requirements	Yes, No exemptions
---	--------------------

### China RoHS

Environment friendly use period (EFUP)	EFUP-25
	An article-related China RoHS declaration table can be found in the download area for the respective article under "Manufacturer declaration". For all articles with EFUP-E, no China RoHS declaration table issued and required.

### EU REACH SVHC

REACH candidate substance (CAS No.)	No substance above 0.1 wt%
-------------------------------------	----------------------------

Phoenix Contact 2024 © - all rights reserved

<https://www.phoenixcontact.com>

Phoenix Contact USA  
586 Fulling Mill Road  
Middletown, PA 17057, United States  
(+717) 944-1300  
[info@phoenixcon.com](mailto:info@phoenixcon.com)