

NOTES:

1. MATERIAL AND FINISH:

BODY BRASS, ALBALOY PLATING OVER SLIVER
 CONTACT PIN BRASS, GOLD PLATING
 INSULATOR PTFE, NATURAL

2. ELECTRICAL:

- A. IMPEDANCE: 50 OHM
- B. FREQUENCY RANGE: DC-10 GHz
- C. RETURN LOSS: 30 dB MIN. @ DC-4 GHz
 25 dB MIN. @ 4-6 GHz
- D. INSERTION LOSS: $0.03X\sqrt{f(\text{GHz})}$ dB MAX.
- E. INSULATION RESISTANCE: 5 GOHM MIN.
- F. CENTER CONTACT RESISTANCE: 3 mOHM MAX.
 OUTER CONTACT RESISTANCE: 2 mOHM MAX.
- G. POWER HANDLING: 200 W MAX. @ 2.2 GHz AT 20°C
- H. INTERMODULATION(3rd order): 160 dBc MIN. @ 2X43 dBm

3. MECHANICAL:

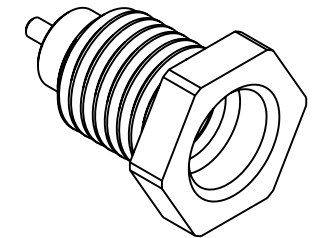
- A. MATING CYCLES: 100 MIN.
- B. TEMPERATURE RANGE: -65°C TO +165°C

4. ALL MATERIALS MUST BE "RoHS" COMPLIANT

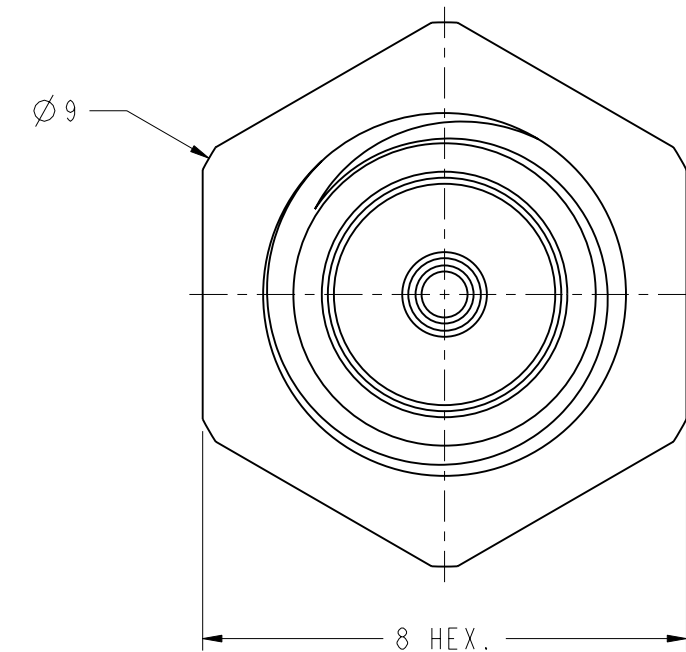
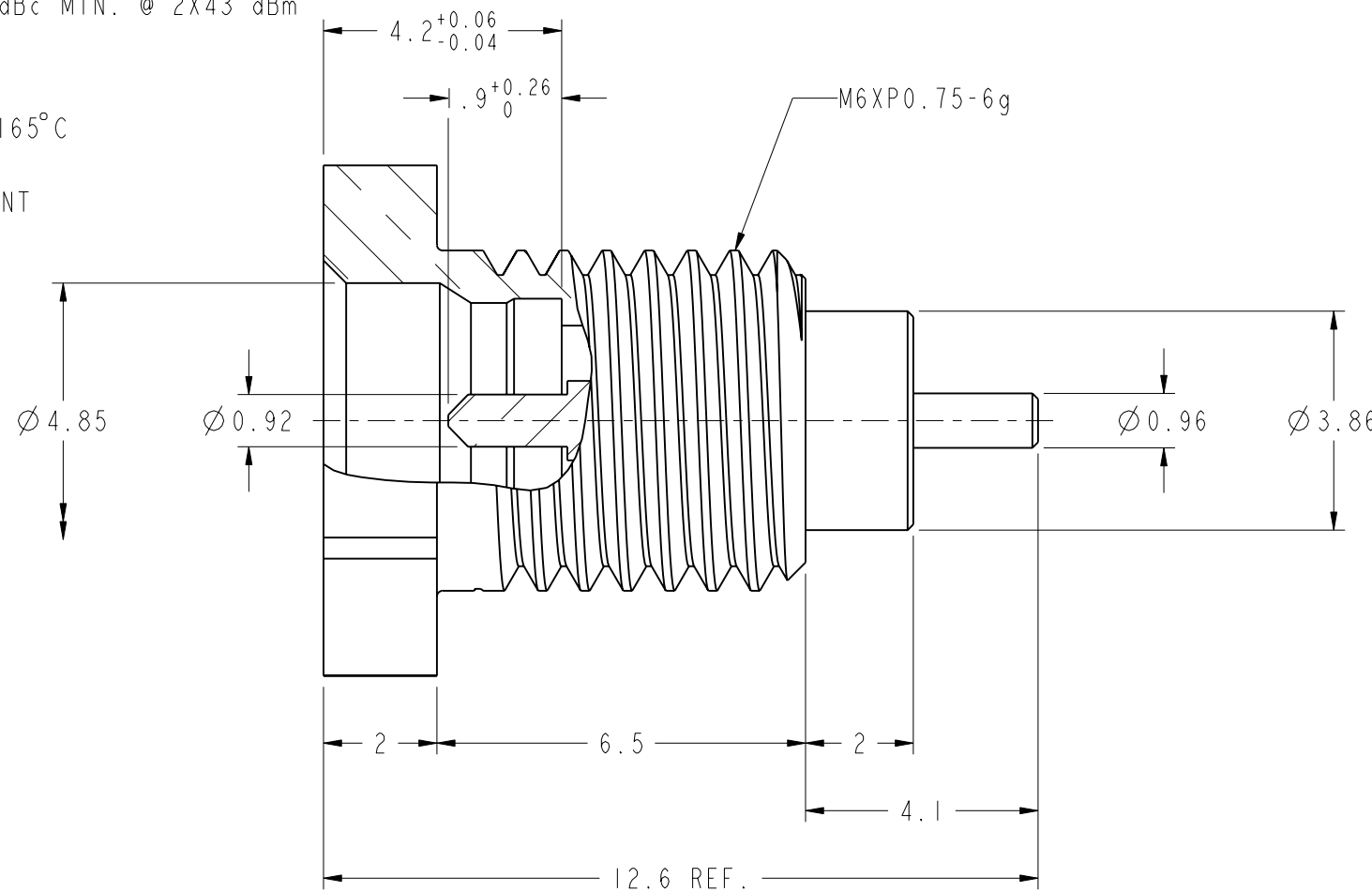
THIRD ANGLE PROJ.

REVISIONS

REV	DESCRIPTION	DATE	ECO	APPR
A	RELEASE TO MFG	25-Aug-15		SW
B	TITLE WAS CHANGED, ADDED PART NO: PSMP-MSLD-CSB	29-Oct-15	50841	AY



SCALE 3.000



CUSTOMER OUTLINE DRAWING

ALL OTHER SHEETS ARE FOR INTERNAL USE ONLY

UNLESS OTHERWISE SPECIFIED, DIMENSIONS ARE IN METRIC AND TOLERANCES ARE:
 <0.5mm ±0.05mm 0.5 - 6mm ±0.1mm 6 - 30mm ±0.2mm 30 - 120mm ±0.3mm ANGLES ±1°

NOTICE - These drawings, specifications, or other data (1) are, and remain the property of Amphenol corp. (2) must be returned upon request; and (3) are confidential and not to be disclosed to any person other than those to whom they are given by Amphenol Corp. the finishing of these drawings, specifications, or other data by Amphenol Corp., or to any other person to anyone for any purpose is not to be regarded by implication or otherwise in any manner licensing, granting rights to permitting such holder or any other person to manufacture, use or sell any product, process or design, patented or otherwise, that may in any way be related to or disclosed by said drawings, specifications, or other data.

MATERIAL	DRAWN STAMN	DATE	TITLE	Amphenol RF Danbury CT USA, Tainan, Taiwan, Shenzhen, China www.amphenolrf.com
	ENGINEER RICKSON	DATE 02-Nov-15	POWER-SMP BULKHEAD MALE LIMITED DETENT	
REFERENCE EAR 6570 119S60F-500N5	APPROVED S. HSIEH	DATE 20-Nov-15	SCALE: 10.0:1.0 SHEET 2 OF 2	DRAWING NO. PSMP1351A1-008-AT8GPA-50
FINISH	CAD FILE I:\PSMP\PSMP1351A1-008-AT8GPA-50		DWG SIZE B REV B	ITEM NO. 671351AAJ02BT5F
				PART NO. PSMP-MSLD-CSB